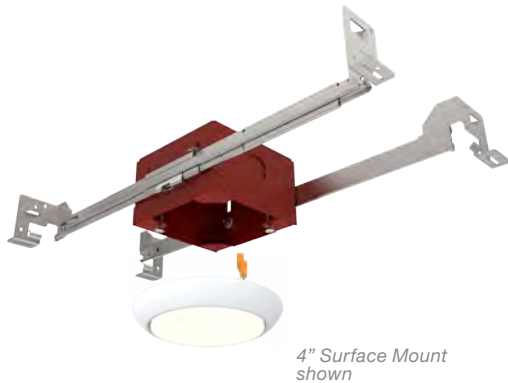


PRODUCT SPECIFICATIONS



4" Surface Mount shown

- All-in-one LED luminaire for retrofit, remodel, and new construction
- Slim, drawn aluminum construction
- Easy, tool-less installation for standard 4" junction boxes
- 750 lumens of pleasing, low glare light, powered by Lumileds LEDs
- 120V operation with flicker-free TRIAC/ELV dimming down to 10%
- 50,000 hour lifetime (L70)
- 5 year limited warranty

Frame-in Kit

JUNCTION BOX: Fire rated for up to 2 hours in floor-ceiling and roof-ceiling assemblies per UL 514A and ANSI/UL 263. Equipped with (4) 1/2" trade size knockouts (two side, two top) to allow straight conduit runs. Approved for 8 (four in, four out) #12 AWG 90°C through wiring conductors.

MOUNTING: Pre-installed mounting brackets allow vertical adjustment of bar hangers up to 1".

CEILING: 1/2" up to 1 1/4".

CUTOUT: 3 7/8" square.

Luminaire

LED: Tightly binned Lumileds LED.

INPUT POWER: 120V only.

LUMEN OUTPUT (POWER): 750 lm (13W).

CRI: 90+.

CCT: 3000K.

BINNING: Color variation within 3-step MacAdam ellipse (SDCM).

LIFETIME: 50,000 hours at 70% lumen maintenance, based on IESNA LM 80-2008 standard (L70, B50).

CONNECTOR: IDEAL PowerPlug® Luminaire Disconnect, female.

DRIVER: Integral electronic driver for 120V 50/60Hz operation. Driver compatible with TRIAC/ELV dimming.

DIMMING: TRIAC/ELV dimming with flicker-free dimming down to 10% of total lumen output.

TRIM: Slim, drawn-aluminum construction.

LISTINGS: IC rated. cULus classified. ENERGY STAR® qualified. Title 24 compliant. ASTM E283 certified Air Tight. UL 514A certified and ANSI/UL 263 compliant for up to 2 hour fire rating. UL Wet Location listed. CEC listed.

WARRANTY: 5 year limited warranty.



Product Code:		Type:	
Project:		Contact:	Date:



DRD1

Surface Mount LED Downlight
General New Construction
Junction Box

PRODUCT SELECTION GUIDE

FRAME-IN KIT

Product Code Example: **DRDHNJ**

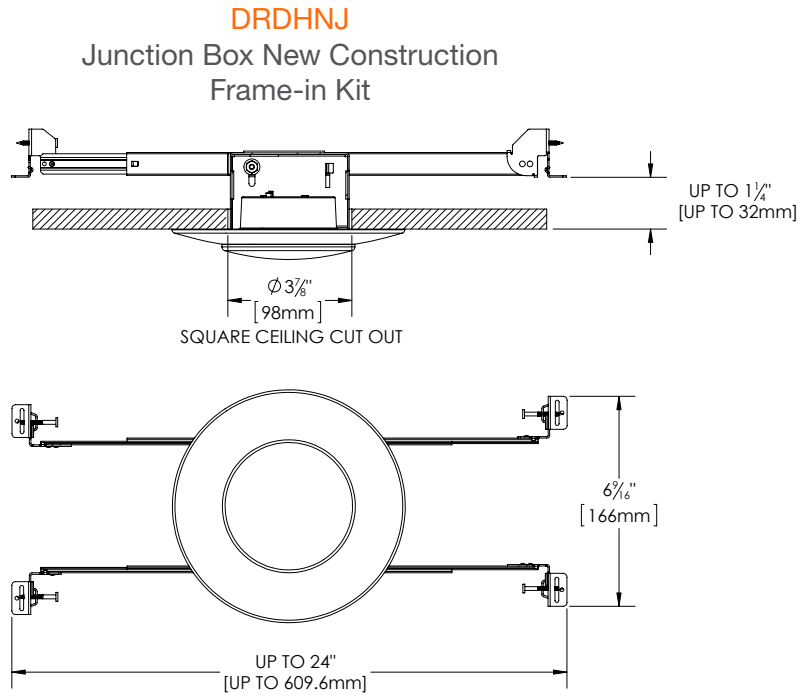
PRODUCT CODE	APPLICATION	APERTURE
DRDH Housing	N New Construction	J Junction Box

LUMINAIRE

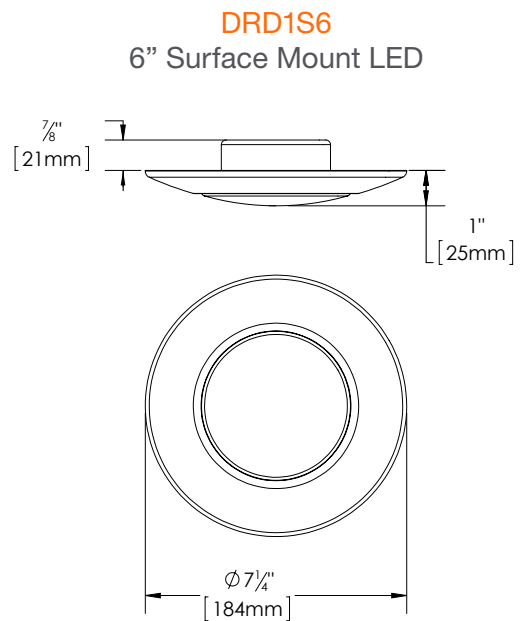
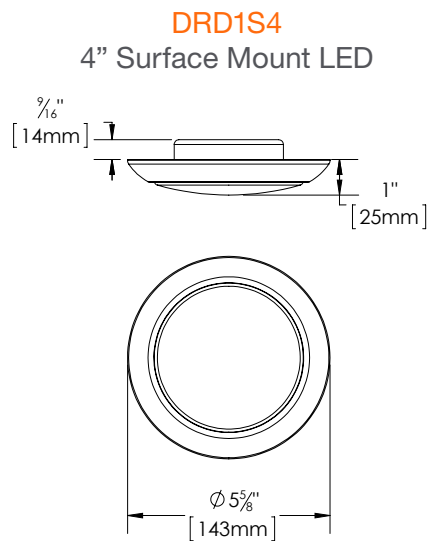
Product Code Example: **DRD1S430**

PRODUCT CODE	PROFILE	CCT
DRD1 Luminaire	S4 4" Surface Mount	30 3000K
	S6 6" Surface Mount	

FRAME-IN KIT DIMENSIONS

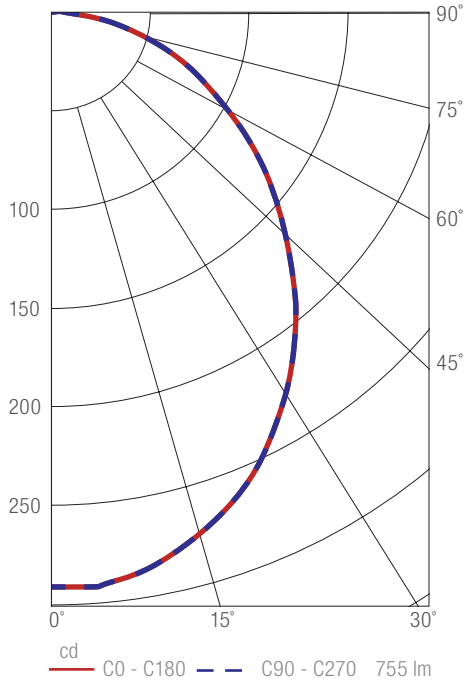


LUMINAIRE DIMENSIONS



PHOTOMETRICS

Luminaire: DRD1S



Luminous Intensity

Gamma	C 0°
0.0°	290
5.0°	291
10.0°	286
15.0°	276
20.0°	265
25.0°	251
30.0°	232
35.0°	213
40.0°	192
45.0°	169
50.0°	148
55.0°	127
60.0°	106
65.0°	86
70.0°	68
75.0°	50
80.0°	30
85.0°	12
90.0°	0

Values in candela

Application Reference

LED Module	Flux (lm)	Power (W)	Downlight Spacing (ft)	Average Illuminance (fcd)	Max/Min	LPD (W/sq ft)
DRD1S430	755	13	4x4	47	1.44	0.79
DRD1S630			6x6	23	1.20	0.42
			8x8	12	1.40	0.20

Calculation Area: 50'(L) x 40'(W) x 10'(H)
LLF 1.0, 80/50/20 Reflectance, 2.5'(H) Workplane
Spacing Criteria: 1.22

Zonal Lumen Summary

Zone	Lumens	Luminaire %
0-30	221	29.3%
0-40	354	47%
0-60	600	79.5%
0-90	755	100%
0-180	755	100%

**LIGHT ENGINE OVERVIEW**

Delivered Lumen Output (lm)	750
Rated Power (W)	13
Efficacy (lm/W)	58
Color Consistency	3-step SDCM
CCT Options	3000K
Color Rendering Index	90+
CRI /R9	50
Lifetime (L70)	50,000
Max Ambient Operating Temperature	40°C
Input Voltage (V)	120V, 50/60Hz
Input Current at 120V (Max)	0.11
Power Factor	>0.99
Total Harmonic Distortion	<13%
Dimming	Down to 10%

DIMMER COMPATIBILITY

Dimmer Brand	Series	Model Number	High	Low	Max load	Min load
Control 4	Control 4	C4-APD120	100%	2%	9	1
Cooper	Decorator	DLC03P, DAL06P	100%	6%	22	1
	Slide Dimmer	SLC03P, SAL06P	99%	27%	22	1
Legrand	Pass and Seymour	HCL453P	98%	21%	33	1
Leviton	Decora Sureslide	6615	98%	11%	23	1
	Vizia	VPE04-ILZ	100%	5%	29	1
	Vizia	VPE06-ILZ	100%	5%	44	1
Lutron	Skylark	S-600	95%	6%	11	1
	Skylark	S-1000	95%	6%	18	1
	Ariadni	AYLV-600P, AYLV-603P	95%	7%	11	1
	Skylark	SLV-600P, SLV-603P	95%	7%	11	1
	Skylark	SELV-300	95%	3%	11	1
	Diva	DVELV-300P, DVELV-303P, DVSCELV-300P, DVSCELV-303P	93%	4%	23	1
	Maestro	MAELV-600, MAELV-600-S, MSCELV-600M	95%	1%	34	1
	Maestro Wireless	MRF2-6ND-120, MRF2-6ELV-120	100%	8%	11	1
	Maestro CL	MACL-153M	95%	16%	11	1
	Maestro CL	MSCL-OP153M	96%	17%	11	1
Radio RA2	RRD-6NA	94%	1%	34	1	
Phillips	Sunrise	SR400RPC120	91%	7%	31	1

*Dimmer compatibility reflects performance compatibility only. Please reference your local codes for application.