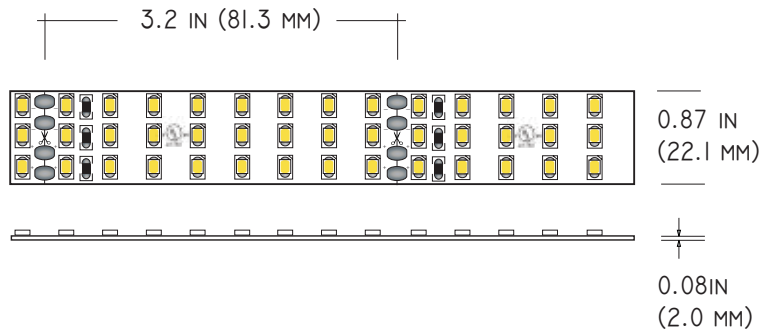


LSM-90HF 7.9W Indoor Flexible LED Strip

SPECIFICATION SHEET

JOB NAME: _____
LOCATION: _____
QUOTE/REF#: _____



LSM90HF Super High Output strip is designed to produce more than 930 lumens at 7.9 Watts per foot. These field cuttable LED strips are offered in a low profile design that can be attached almost anywhere and are great for many common lighting applications, such as cove lighting or cabinets. LSM90HF series produces a 120° light beam spread and is offered in different color temperatures to fit your specific needs. UL listed.

SPECIFICATIONS

INPUT VOLTAGE	24V DC
POWER CONSUMPTION	7.9W per foot
LUMEN OUTPUT	930 Lumens per foot
NO. OF LEDs	96 LEDs per foot
BEAM ANGLE	120°
CRI	90+
DIMMING	MLV, ELV, 0-10V and TRIAC
MAXIMUM RUN LENGTH	20 Feet
FIELD CUTTABLE	Every 3.2 in (81.3MM)
IP RATING	IP45 dry location (indoor)
LUMEN MAINTENANCE	50,000 hrs.
OPERATING TEMPERATURE	-40°F(-40°C)~+140°F(+60°C)
BINNING	1.5 Step Macadam Elipse
CERTIFICATIONS	UL listed
DIMENSIONS	0.87" x 0.08 (width x height)

FEATURES

- 7.9W per Foot
- 930 Lumens
- 90+ CRI
- Three rows of high-output diodes
- 20 Feet Maximum Run Length
- Field cuttable
- Ideal for accent and ambient lighting
- Multiple CCT options available
- UL Listed, Title 24 JA8 compliant
- Dimamable with CORE dimmable drivers



COLOR TEMP	CRI	LUMEN/FT
2700K	95	866
3000K	95	930
4200K	95	930
5000K	95	1032



LSM-90HF 7.9W Indoor Flexible LED Strip

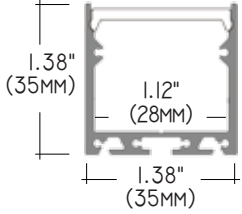
STANDARD ORDERING CODE

Model	Color Temp	Length	Voltage
LSM-90HF	27K - 2700K 30K - 3000K 42K - 4200K 50K - 5000K	16 - 16.4 Ft. 100 - 100 Ft. PF - Per foot	24V - 24V DC

CUSTOMIZED LENGTH ORDERING CODE

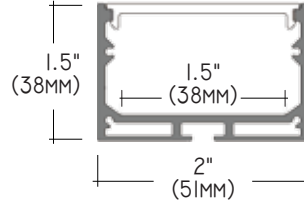
Model	Color Temp	Length	Voltage	Profile
LSM-90HF	27K - 2700K 30K - 3000K 42K - 4200K 50K - 5000K	XX - Custom Length	24V - 24V DC	See p3 for options

COMPATIBLE ALUMINUM PROFILES



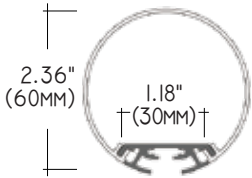
ALP-140 SURFACE / SUSPENSION

LENGTHS 49.25" , 98.5"
LENS Frosted
FINISH Anodized Aluminum



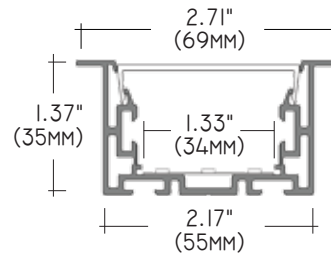
ALP-160 SURFACE / SUSPENDED

LENGTHS 49.25" and 98.5"
LENS Frosted
FINISH Anodized Aluminum



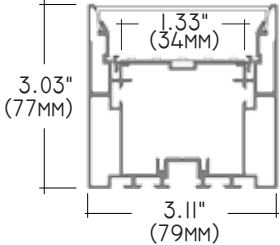
ALP-245 SUSPENSION MOUNT

LENGTHS 49.25" and 98.5"
LENS Frosted
FINISH Anodized Aluminum



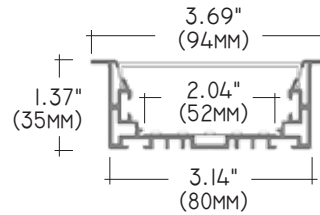
ALP-230RN RECESSED MOUNT

LENGTHS 49.25" and 98.5"
LENS Frosted
FINISH Anodized Aluminum



ALP-310N SUSPENSION MOUNT

LENGTHS 48" and 96"
LENS Frosted
FINISH Anodized Aluminum

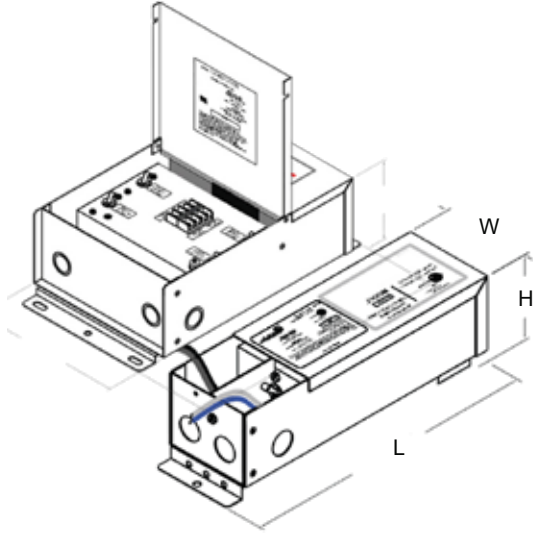


ALP-330RN RECESSED MOUNT

LENGTHS 48" and 96"
LENS Frosted
FINISH Anodized Aluminum

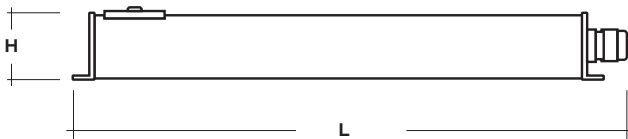
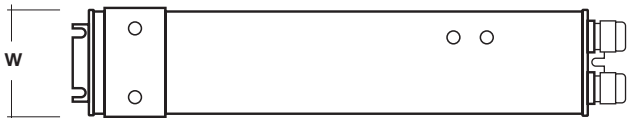
LSM-90HF 7.9W Indoor Flexible LED Strip

COMPATIBLE TRANSFORMERS



PSDH SERIES HIGH PERFORMANCE MLV

PSDH-48W-24V	CLASS 2	11.25" x 3.37" x 3.25"
PSDH-96W-24V	CLASS 2	11.25" x 3.37" x 3.25"
PSDH-288W-24V	CLASS 2	14.25" x 8.43" x 4.43"



PSDE SERIES 0-10V DIMMING WITH JUNCTION BOX

PSDE-100W-24V-010-JB	CLASS 2	12.32" x 1.77" x 1.67"
-----------------------------	---------	------------------------

LSM-90HF 7.9W Indoor Flexible LED Strip

COMPATIBLE TRANSFORMERS



PSDL SERIES TRIAC DIMMABLE

PSDL-30W-24V	CLASS 2	6.5"x 3.63"x 1.03"
PSDL-60W-24V	CLASS 2	7.4"x 3.63"x 1.03"
PSDL-96W-24V	CLASS 2	8.67"x 3.67"x 1.62"
PSDL-150W-24V		8.67"x 3.67"x 1.62"
PSDL-192W-24V		10.25"x 4.06"x 1.82"
PSDL-200W-24V		10.25"x 4.06"x 1.82"
PSDL-288W-24V		10.25"x 4.06"x 1.82"
PSDL-300W-24V		10.25"x 4.06"x 1.82"

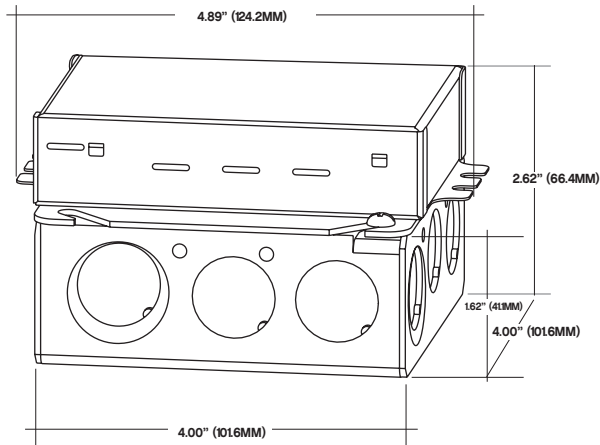


PSHK SERIES NON-DIMMING WITH JUNCTION BOX

PSHK-30W-24V-UNV	CLASS 2	6.5" X 3.6" X 1.02"
PSHK-60W-24V-UNV	CLASS 2	7.4" X 3.62" X 1.02"
PSHK-96W-24V-UNV	CLASS 2	8.66" X 3.66" X 1.61"
PSHK-150W-24V-UNV		10.24" X 4.06" X 1.81"
PSHK-200W-24V-UNV		10.24" X 4.06" X 1.81"
PSHK-300W-24V-UNV		10.94" X 4.25" X 1.81"

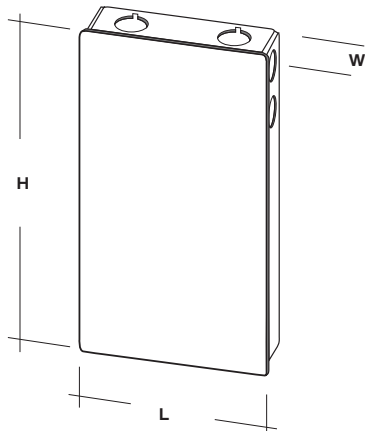
LSM-90HF 7.9W Indoor Flexible LED Strip

COMPATIBLE TRANSFORMERS



LUTRON 1% 2 OR 3-WIRE DIMMING

LTEA4U1UKL-CV240	CLASS 2	4.0" x 1.5" x 4.0"
L3DA4U1UKL-CV240	CLASS 2	4.0" x 1.5" x 4.0"



LUTRON 1%

PSDE-96W-24V-ECO	CLASS 2	10.5" x 3.0" x 2.0"
-------------------------	---------	---------------------