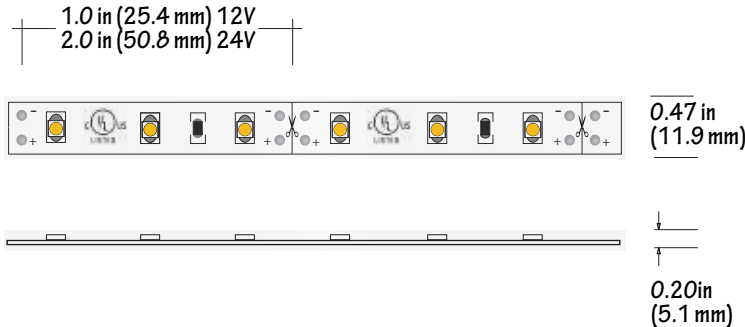


# LSMW-30 3.0W Outdoor Flexible LED Strip

## SPECIFICATION SHEET

JOB NAME: \_\_\_\_\_  
LOCATION: \_\_\_\_\_  
QUOTE/REF#: \_\_\_\_\_



LSMW-30 is an outdoor flexible LED strip that delivers 250 lumens at 3.0 Watts per ft. This LED strip is rated to last 50,000 hours making it an excellent replacement for halogen lighting. This product is suitable for use in most residential and commercial applications, it is easy to install. Offered in different CCT options with superior CRI.

### SPECIFICATIONS

<b>INPUT VOLTAGE</b>	12V and 24V DC
<b>POWER CONSUMPTION</b>	3.0W per foot
<b>LUMEN OUTPUT</b>	250 Lumens per foot
<b>NO. OF LEDs</b>	36 LEDs per foot
<b>BEAM ANGLE</b>	120°
<b>CRI</b>	95+
<b>DIMMING</b>	MLV, ELV, 0-10 and TRIAC
<b>MAXIMUM RUN LENGTH</b>	16.4 Feet (12V strip) 24 Feet (24V strip)
<b>FIELD CUTTABLE</b>	Every 2 in (12V) Every 4 in (24V)
<b>IP RATING</b>	IP65 wet location (outdoor)
<b>LUMEN MAINTENANCE</b>	50,000 hrs.
<b>OPERATING TEMPERATURE</b>	-40°F(-40°C)~+140°F(+60°C)
<b>BINNING</b>	1.5 Step Macadam Elipse
<b>CERTIFICATIONS</b>	UL listed, TITLE 24 JA8
<b>DIMENSIONS</b>	0.47" x 0.20 (width x height)

### FEATURES

- 3.0W per Foot
- 250 Lumens per foot
- 95+ CRI
- California TITLE 24 JA8 compliant
- Field cuttable
- Suitable for accent or ambient lighting
- Multiple CCT options available
- Superior COLOR RENDERING INDEX (CRI)
- Available in 12V and 24V
- UL Listed
- Dimmable with CORE Lighting dimmable drivers

	COLOR TEMP	CRI	LUMEN/FT
	2200K	94	205
	2500K	95	225
	2700K	98	232
	3000K	98	240
	3500K	97	244
	4000K	96	250
	5000K	95	258
6000K	95	265	



# LSMW-30 3.0W Outdoor Flexible LED Strip

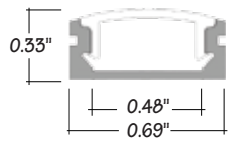
## STANDARD ORDERING CODE

Model	Color Temp	Length	Voltage
LSMW-30	22K - 2200K	16 - 16.4 Ft.	12V - 12V DC
	24K - 2400K	32 - 32 Ft.	24V - 24V DC
	27K - 2700K	PF - Per foot	
	30K - 3000K		
	35K - 3500K		
	40K - 4000K		
	50K - 5000K		
	60K - 6000K		
	RD - Red		
	BL - Blue		
GR - Green			
PK - Pink			
PR - Purple			
AM - Amber			
OR - Orange			

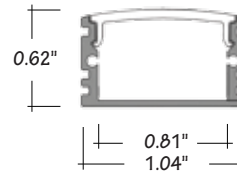
## CUSTOMIZED LENGTH ORDERING CODE

Model	Color Temp	Length	Voltage	Profile
LSMW-30	22K - 2200K	XX - Custom Length	12V - 12V DC	See p3
	24K - 2400K		24V - 24V DC	
	27K - 2700K			
	30K - 3000K			
	35K - 3500K			
	40K - 4000K			
	50K - 5000K			
	60K - 6000K			
	RD - Red			
	BL - Blue			
GR - Green				
PK - Pink				
PR - Purple				
AM - Amber				
OR - Orange				

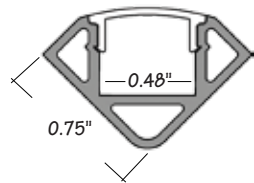
## COMPATIBLE ALUMINUM PROFILES



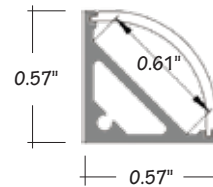
**ALU-SF SURFACE MOUNT**  
**LENGTHS** 39<sup>3/8</sup>" , 78<sup>7/8</sup>" , 98"  
**LENS** Clear , Frosted  
**FINISH** Anodized Aluminum , Black



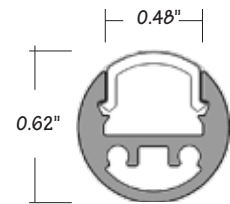
**ALU-DS100 SURFACE MOUNT**  
**LENGTHS** 39<sup>3/8</sup>" 78  
**LENS** Clear and Frosted  
**FINISH** Anodized Aluminum



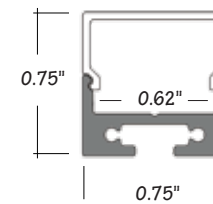
**ALU-CN SURFACE / CORNER**  
**LENGTHS** 39<sup>3/8</sup>" , 78<sup>7/8</sup>" , 98"  
**LENS** Clear , Frosted  
**FINISH** Anodized Aluminum , Black



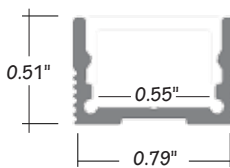
**ALP-50C SURFACE / CORNER**  
**LENGTHS** 49.25" , 98.5"  
**LENS** Frosted  
**FINISH** Anodized Aluminum



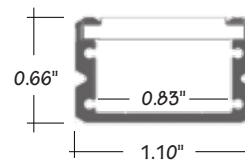
**ALP-35 SURFACE MOUNT**  
**LENGTHS** 48" , 96"  
**LENS** Frosted  
**FINISH** Anodized Aluminum



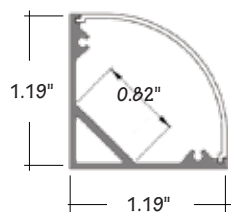
**ALP-80 SURFACE / SUSPENDED**  
**LENGTHS** 49.25" , 98.5"  
**LENS** Frosted  
**FINISH** Anodized Aluminum



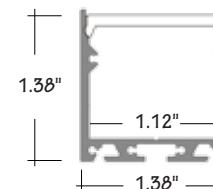
**ALP-70 SURFACE MOUNT**  
**LENGTHS** 49.25" , 98.5"  
**LENS** Frosted  
**FINISH** Anodized Aluminum



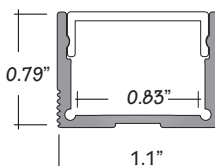
**ALP-90 SURFACE MOUNT**  
**LENGTHS** 48" and 96"  
**LENS** Frosted  
**FINISH** Anodized Aluminum



**ALP-100C SURFACE / CORNER**  
**LENGTHS** 49.25" and 98.5"  
**LENS** Frosted  
**FINISH** Anodized Aluminum



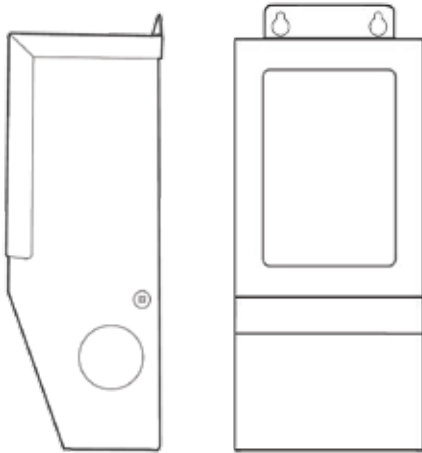
**ALP-140 SURFACE / SUSPENDED**  
**LENGTHS** 49.25" and 98.5"  
**LENS** Frosted  
**FINISH** Anodized Aluminum



**ALP-130 SURFACE / SUSPENDED**  
**LENGTHS** 49.25" and 98.5"  
**LENS** Frosted  
**FINISH** Anodized Aluminum

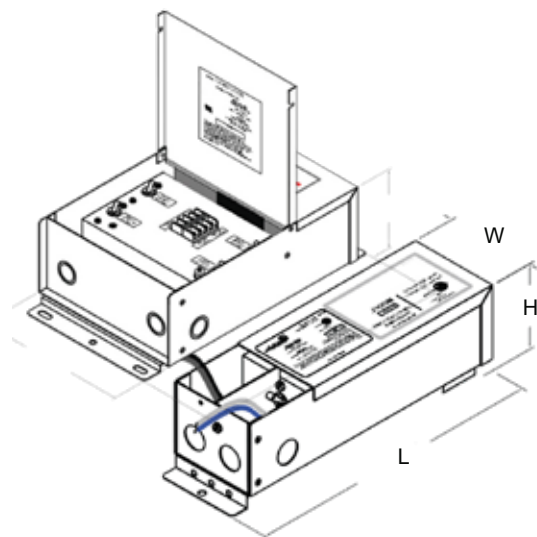
## COMPATIBLE TRANSFORMERS

### PSDM SERIES DIMMABLE MAGNETIC LOW VOLTAGE (MLV)



<b>PSDM-20W-12V</b>	CLASS 2	5.6" x 2" x 2.14"
<b>PSDM-40W-12V</b>	CLASS 2	5.6" x 2" x 2.14"
<b>PSDM-60W-12V</b>	CLASS 2	6.5" x 2.3" x 2.5"
<b>PSDM-100W-12V</b>	CLASS 2	9.8" x 3" x 3"
<b>PSDM-150W-12V</b>		9.8" x 3" x 3"
<b>PSDM-180W-12V</b>		9.8" x 3" x 3"
<b>PSDM-200W-12V</b>		9.8" x 3" x 3"
<b>PSDM-300W-12V</b>		9.8" x 4.2" x 3.5"
<b>PSDM-300W-12V</b>		7.0" x 7.0" x 3.2"

<b>PSDM-20W-24V</b>	CLASS 2	5.6" x 2" x 2.14"
<b>PSDM-40W-24V</b>	CLASS 2	5.6" x 2" x 2.14"
<b>PSDM-60W-24V</b>	CLASS 2	6.5" x 2.3" x 2.5"
<b>PSDM-100W-24V</b>	CLASS 2	6.5" x 2.3" x 2.5"
<b>PSDM-150W-24V</b>		9.8" x 3" x 3"
<b>PSDM-192W-24V</b>	CLASS 2	7.0" x 7.0" x 3.2"
<b>PSDM-200W-24V</b>		9.8" x 3" x 3"
<b>PSDM-288W-24V</b>	CLASS 2	9.8" x 4.2" x 3.5"
<b>PSDM-300W-24V</b>		7.0" x 7.0" x 3.2"



### PSDH SERIES HIGH PERFORMANCE MLV

<b>PSDH-48W-24V</b>	CLASS 2	11.25" x 3.37" x 3.25"
<b>PSDH-96W-24V</b>	CLASS 2	11.25" x 3.37" x 3.25"
<b>PSDH-288W-24V</b>	CLASS 2	14.25" x 8.43" x 4.43"

## COMPATIBLE TRANSFORMERS



### PSDL SERIES TRIAC DIMMABLE

PSDL-30W-12V	CLASS 2	6.5"x 3.63"x 1.03"
PSDL-60W-12V	CLASS 2	7.4"x 3.63"x 1.03"
PSDL-100W-12V	CLASS 2	8.67"x 3.67"x 1.62"
PSDL-120W-12V		8.67"x 3.67"x 1.62"
PSDL-150W-12V		10.25"x 4.06"x 1.82"
PSDL-200W-12V		10.25"x 4.06"x 1.82"
PSDL-300W-12V		10.25"x 4.06"x 1.82"

PSDL-30W-24V	CLASS 2	6.5"x 3.63"x 1.03"
PSDL-60W-24V	CLASS 2	7.4"x 3.63"x 1.03"
PSDL-96W-24V	CLASS 2	8.67"x 3.67"x 1.62"
PSDL-150W-24V		8.67"x 3.67"x 1.62"
PSDL-192W-24V		10.25"x 4.06"x 1.82"
PSDL-200W-24V		10.25"x 4.06"x 1.82"
PSDL-288W-24V		10.25"x 4.06"x 1.82"
PSDL-300W-24V		10.25"x 4.06"x 1.82"

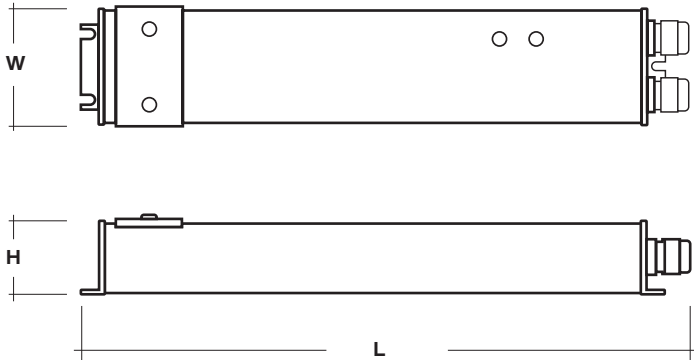


### PSHK SERIES NON-DIMMING WITH JUNCTION BOX

PSHK-30W-24V-UNV	CLASS 2	6.5" X 3.6" X 1.02"
PSHK-60W-24V-UNV	CLASS 2	7.4" X 3.62" X 1.02"
PSHK-96W-24V-UNV	CLASS 2	8.66" X 3.66" X 1.61"
PSHK-150W-24V-UNV		10.24" X 4.06" X 1.81"
PSHK-200W-24V-UNV		10.24" X 4.06" X 1.81"
PSHK-300W-24V-UNV		10.94" X 4.25" X 1.81"

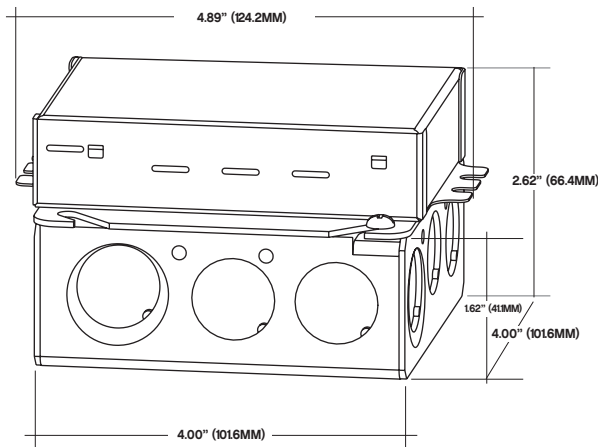
# LSMW-30 3.0W Outdoor Flexible LED Strip

## COMPATIBLE TRANSFORMERS



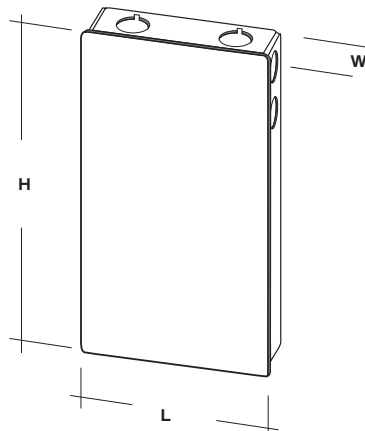
### PSDE SERIES 0-10V DIMMING WITH JUNCTION BOX

**PSDE-100W-24V-010-JB** CLASS 2 12.32" x 1.77" x 1.67"



### LUTRON 1% 2 OR 3-WIRE DIMMING

**LTEA4U1UKL-CV240** CLASS 2 4.0" x 1.5" x 4.0"  
**L3DA4U1UKL-CV240** CLASS 2 4.0" x 1.5" x 4.0"



### LUTRON 1%

**PSDE-96W-24V-ECO** CLASS 2 10.5" x 3.0" x 2.0"