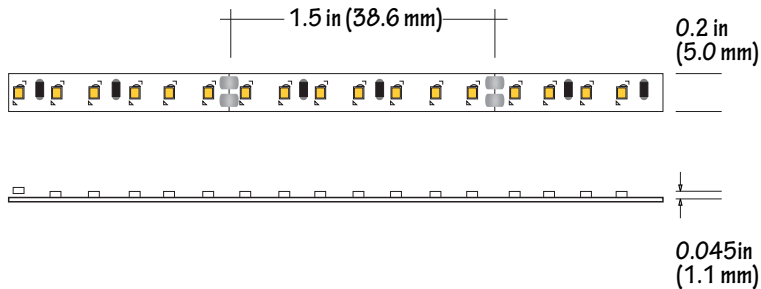


SPECIFICATION SHEET

JOB NAME: _____
 LOCATION: _____
 QUOTE/REF#: _____




LSM-35TN is a 5MM wide, dimmable flexible LED strip capable of delivering up to 277 lumens of light output per ft. Ideal for low profile and narrow installations, this LED strip was designed for easy installation. 3M adhesive backing to stick to most surfaces and field cuttable.

SPECIFICATIONS

INPUT VOLTAGE	24V DC
POWER CONSUMPTION	3.0W per foot
LUMEN OUTPUT	up to 277 Lumens per foot
NO. OF LEDs	60 LEDs per foot
BEAM ANGLE	120°
CRI	90+
DIMMING	MLV, ELV, 0-10 and TRIAC
MAXIMUM RUN LENGTH	12 Feet
FIELD CUTTABLE	Every 1.5 in
IP RATING	IP45 dry location (indoor)
LUMEN MAINTENANCE	50,000 hrs.
OPERATING TEMPERATURE	-40°F(-40°C)~+140°F(+60°C)
BINNING	1.5 Step Macadam Elipse
CERTIFICATIONS	UL listed, TITLE 24 JA8
DIMENSIONS	0.2" x 0.045 (width x height)

FEATURES

- 3.0W per Foot
- up to 277 Lumens
- 90+ CRI
- California TITLE 24 JA8 compliant
- Field cuttable
- Suitable for accent or ambient lighting
- Multiple CCT options available
- Superior COLOR RENDERING INDEX (CRI)
- Available in 24V
- UL Listed
- Dimmable with CORE Lighting dimmable drivers

	COLOR TEMP	CRI	LUMEN/FT
	2700K	90	240
	3000K	90	258
	3500K	90	270
	4000K	90	277



LSM-35TN 3.0W Indoor 5MM Flexible LED Strip

STANDARD ORDERING CODE

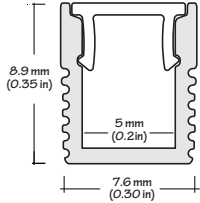
Model	Color Temp	Length	Voltage
LSM-35TN	27K - 2700K	16 - 16.4 Ft.	24V - 24V DC
	30K - 3000K	100 - 100 Ft.	
	35K - 3500K	PF - Per foot	
	40K - 4000K		

CUSTOMIZED LENGTH ORDERING CODE

Model	Color Temp	Length	Voltage	Profile
LSM-35TN	27K - 2700K	XX - Custom Length	24V - 24V DC	ALP-40
	30K - 3000K			
	35K - 3500K			
	40K - 4000K			

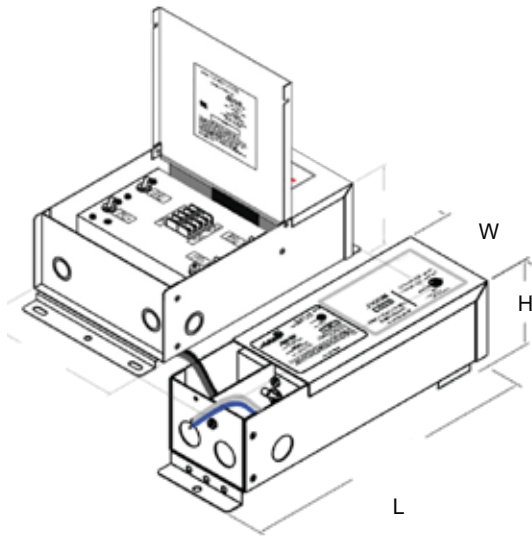
LSM-35TN 3.0W Indoor 5MM Flexible LED Strip

COMPATIBLE CHANNELS



ALP-40 | SURFACE MOUNT
LENGTHS 49.25" & 98.5"
LENS Frosted
FINISH Anodized Aluminum

COMPATIBLE TRANSFORMERS



PSDH SERIES HIGH PERFORMANCE MLV

PSDH-48W-24V	CLASS 2	11.25"x 3.37"x 3.25"
PSDH-96W-24V	CLASS 2	11.25"x 3.37"x 3.25"
PSDH-288W-24V	CLASS 2	14.25"x 8.43"x 4.43"

COMPATIBLE TRANSFORMERS



PSDL SERIES TRIAC DIMMABLE

PSDL-30W-24V	CLASS 2	6.5"x 3.63"x 1.03"
PSDL-60W-24V	CLASS 2	7.4"x 3.63"x 1.03"
PSDL-96W-24V	CLASS 2	8.67"x 3.67"x 1.62"
PSDL-150W-24V		8.67"x 3.67"x 1.62"
PSDL-192W-24V		10.25"x 4.06"x 1.82"
PSDL-200W-24V		10.25"x 4.06"x 1.82"
PSDL-288W-24V		10.25"x 4.06"x 1.82"
PSDL-300W-24V		10.25"x 4.06"x 1.82"

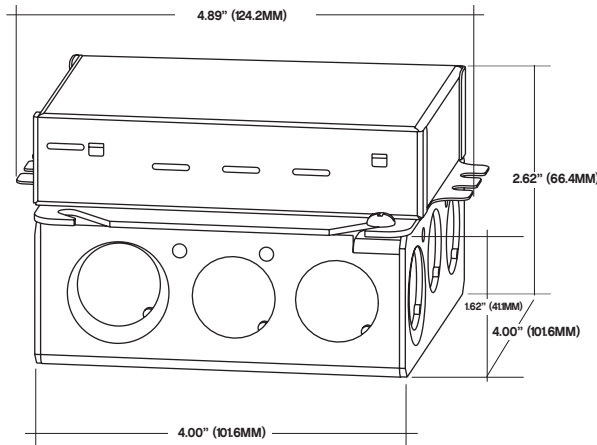
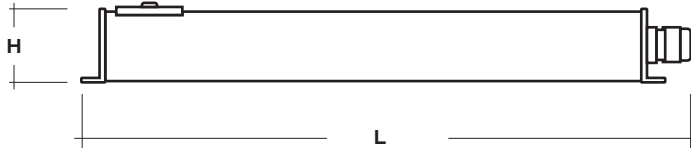


PSHK SERIES NON-DIMMING WITH JUNCTION BOX

PSHK-30W-24V-UNV	CLASS 2	6.5" X 3.6" X 1.02"
PSHK-60W-24V-UNV	CLASS 2	7.4" X 3.62" X 1.02"
PSHK-96W-24V-UNV	CLASS 2	8.66" X 3.66" X 1.61"
PSHK-150W-24V-UNV		10.24" X 4.06" X 1.81"
PSHK-200W-24V-UNV		10.24" X 4.06" X 1.81"
PSHK-300W-24V-UNV		10.94" X 4.25" X 1.81"

LSM-35TN 3.0W Indoor 5MM Flexible LED Strip

COMPATIBLE TRANSFORMERS



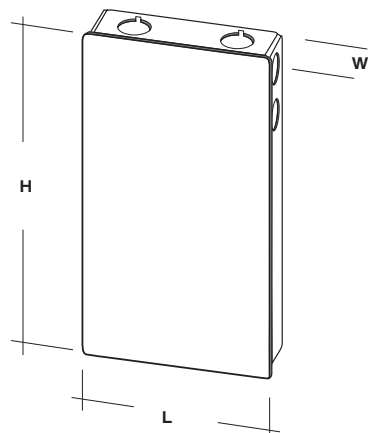
PSDE SERIES 0-10V DIMMING WITH JUNCTION BOX

PSDE-100W-24V-010-JB CLASS 2 12.32" x 1.77" x 1.67"

LUTRON 1% 2 OR 3-WIRE DIMMING

LTEA4U1UKL-CV240 CLASS 2 4.0" x 1.5" x 4.0"

L3DA4U1UKL-CV240 CLASS 2 4.0" x 1.5" x 4.0"



LUTRON 1%

PSDE-96W-24V-ECO CLASS 2 10.5" x 3.0" x 2.0"