

LSM-15 1.5W Indoor Flexible LED Strip

JOB NAME: _____
LOCATION: _____
QUOTE/REF#: _____

2 in (50 mm) - 12V
4 in (101 mm) - 24V



0.4 in
(10.2 mm)



0.08in
(2.0 mm)

LSM-15 series is a great source of light for all indoor ambient lighting applications that allow you to transform your space into a desirable place for gathering. At 1.5 Watts per foot, this LED strip provides over 120 Lumens and is offered in a low profile design that can be attached almost anywhere.

SPECIFICATIONS

| | |
|------------------------------|--|
| INPUT VOLTAGE | 12V and 24V DC |
| POWER CONSUMPTION | 1.5 per foot |
| LUMEN OUTPUT | 120 Lumens per Ft. |
| NO. OF LEDs | 18 LEDs per foot |
| BEAM ANGLE | 120° |
| CRI | 95+ |
| DIMMING | MLV, ELV, 0-10 and TRIAC |
| MAXIMUM RUN LENGTH | 16.4 Ft. (12V strip) 24 Ft. (24V strip) |
| FIELD CUTTABLE | Every 2 in (12V) Every 4 in (24V) |
| IP RATING | IP54 dry location (indoor) |
| LUMEN MAINTENANCE | 50,000 hrs. |
| OPERATING TEMPERATURE | -40°F(-40°C)~+140°F(+60°C) |
| BINNING | 1.5 Step Macadam Elipse |
| CERTIFICATIONS | UL listed, TITLE 24 JA8 |
| DIMENSIONS | 0.4" x 0.08 (width x height) |

FEATURES

- 1.5W per Foot
- 120 Lumens
- 95+ CRI
- California TITLE 24 JA8 compliant
- Field cuttable
- Multiple CCT options available
- Superior COLOR RENDERING INDEX (CRI)
- Dimmable with CORE Lighting dimmable drivers

| | COLOR TEMP | CRI | LUMEN/FT |
|--|------------|-----|----------|
|--|------------|-----|----------|



| | | |
|-------|----|-----|
| 2200K | 94 | 102 |
| 2400K | 95 | 112 |
| 2700K | 98 | 115 |
| 3000K | 98 | 120 |
| 3500K | 97 | 121 |
| 4000K | 96 | 124 |
| 5000K | 95 | 126 |
| 6000K | 95 | 128 |



LSM-15 1.5W Indoor Flexible LED Strip

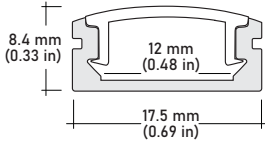
STANDARD ORDERING CODE

| Model | Color Temp | Length | Voltage | Profile |
|---------------------|---------------------|-----------------------|-----------------------|---------------------------------|
| LSM-15 | 22K 2200K | 16 16.4 Ft. | 12 12 Volts | ² See p3 for options |
| | 24K 2400K | 100 100 Ft. | 24 24 Volts | |
| | 27K 2700K | 1XX per Ft. | | |
| | 30K 3000K | | | |
| | 35K 3500K | | | |
| | 40K 4000K | | | |
| | 50K 5000K | | | |
| | 60K 6000K | | | |
| | RD Red | | | |
| | BL Blue | | | |
| | GR Green | | | |
| | PK Pink | | | |
| | PR Purple | | | |
| AM Amber | | | | |
| OR Orange | | | | |

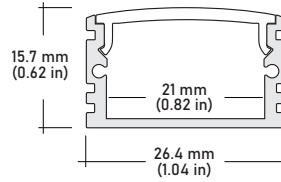
NOTE:

- 1** = Custom length per Ft.
12V strip cuttable every 2"
24V strip cuttable every 4"
- 2** = Custom color finishes require powder coating. Allow 7 days lead time.

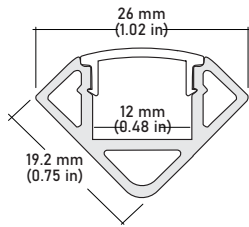
COMPATIBLE ALUMINUM PROFILES



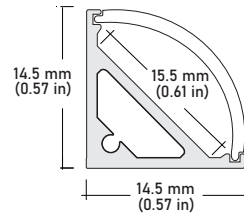
ALU-SF Surface
LENGTHS 39^{3/8"} | 78^{7/8"} | 98"
LENS Clear, Frosted
FINISH Silver | Black



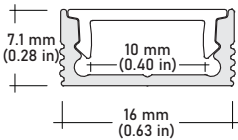
ALU-DS100 Surface Wide
LENGTHS 39^{3/8"} | 78^{7/8"} | 96"
LENS Clear, Frosted
FINISH Silver



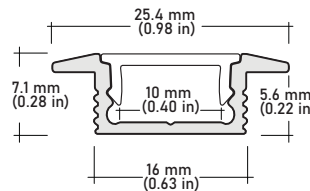
ALU-CN Surface, Corner
LENGTHS 39^{3/8"} | 78^{7/8"} | 96"
LENS Clear, Frosted
FINISH Silver | Black



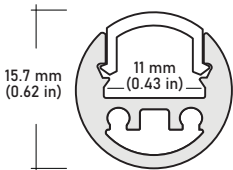
ALP-50C Surface, Corner
LENGTHS 49.25" | 98.5"
LENS Frosted
FINISH White | Black | Silver



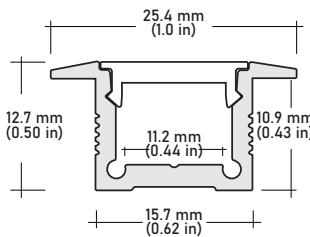
ALP-20 Surface
LENGTHS 49.25" | 98.5"
LENS Frosted
FINISH White | Black | Silver



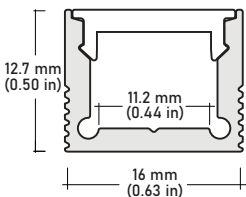
ALP-20R Recessed
LENGTHS 49.25" | 98.5"
LENS Frosted
FINISH White | Black | Silver



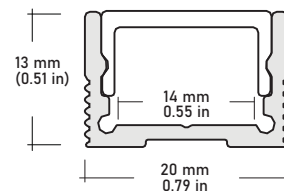
ALP-35 Surface
LENGTHS 48" | 96"
LENS Frosted
FINISH Silver



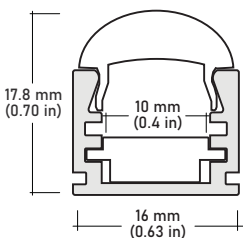
ALP-60R Recessed
LENGTHS 49.25" | 98.5"
LENS Frosted
FINISH White | Black | Silver



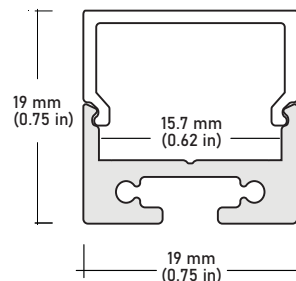
ALP-60 Surface
LENGTHS 49.25" | 98.5"
LENS Frosted
FINISH White | Black | Silver



ALP-70 Surface
LENGTHS 49.25" | 98.5"
LENS Frosted
FINISH White | Black | Silver

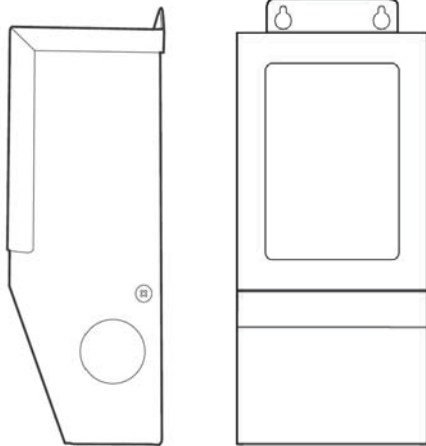


ALP-65 Surface
LENGTHS 49.25" | 98.5"
LENS Frosted
FINISH Silver
OPTICS 10° | 30° | 60°



ALP-70 Surface, Suspended
LENGTHS 49.25" | 98.5"
LENS Frosted
FINISH Silver

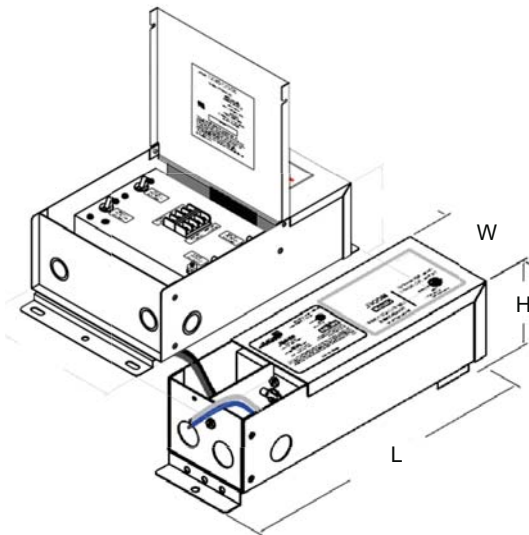
COMPATIBLE TRANSFORMERS



PSDM 24V SERIES | DIMMABLE MAGNETIC LOW VOLTAGE (MLV)

| | | |
|----------------------|---------|--------------------|
| PSDM-20W-12V | CLASS 2 | 5.6" x 2" x 2.14" |
| PSDM-40W-12V | CLASS 2 | 5.6" x 2" x 2.14" |
| PSDM-60W-12V | CLASS 2 | 6.5" x 2.3" x 2.5" |
| PSDM-100W-12V | CLASS 2 | 9.8" x 3" x 3" |
| PSDM-150W-12V | | 9.8" x 3" x 3" |
| PSDM-180W-12V | | 9.8" x 3" x 3" |
| PSDM-200W-12V | | 9.8" x 3" x 3" |
| PSDM-300W-12V | | 9.8" x 4.2" x 3.5" |
| PSDM-300W-12V | | 7.0" x 7.0" x 3.2" |

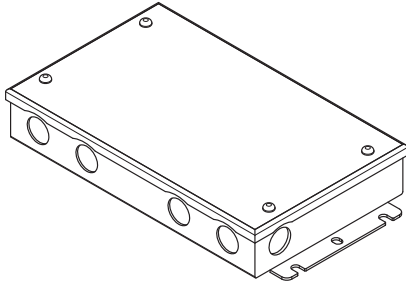
| | | |
|----------------------|---------|--------------------|
| PSDM-20W-24V | CLASS 2 | 5.6" x 2" x 2.14" |
| PSDM-40W-24V | CLASS 2 | 5.6" x 2" x 2.14" |
| PSDM-60W-24V | CLASS 2 | 6.5" x 2.3" x 2.5" |
| PSDM-100W-24V | CLASS 2 | 6.5" x 2.3" x 2.5" |
| PSDM-150W-24V | | 9.8" x 3" x 3" |
| PSDM-192W-24V | CLASS 2 | 7.0" x 7.0" x 3.2" |
| PSDM-200W-24V | | 9.8" x 3" x 3" |
| PSDM-288W-24V | CLASS 2 | 9.8" x 4.2" x 3.5" |
| PSDM-300W-24V | | 7.0" x 7.0" x 3.2" |



PSDH SERIES | HIGH PERFORMANCE MAGNETIC LOW VOLTAGE (MLV)

| | | |
|----------------------|---------|------------------------|
| PSDH-48W-24V | CLASS 2 | 11.25" x 3.37" x 3.25" |
| PSDH-96W-24V | CLASS 2 | 11.25" x 3.37" x 3.25" |
| PSDH-288W-24V | CLASS 2 | 14.25" x 8.43" x 4.43" |

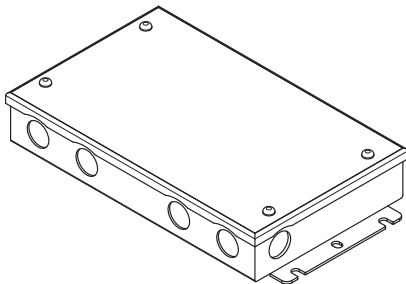
COMPATIBLE TRANSFORMERS



PSDL SERIES | TRIAC DIMMABLE

| | | |
|----------------------|---------|----------------------|
| PSDL-30W-12V | CLASS 2 | 6.5"x 3.63"x 1.03" |
| PSDL-60W-12V | CLASS 2 | 7.4"x 3.63"x 1.03" |
| PSDL-100W-12V | CLASS 2 | 8.67"x 3.67"x 1.62" |
| PSDL-120W-12V | | 8.67"x 3.67"x 1.62" |
| PSDL-150W-12V | | 10.25"x 4.06"x 1.82" |
| PSDL-200W-12V | | 10.25"x 4.06"x 1.82" |
| PSDL-300W-12V | | 10.25"x 4.06"x 1.82" |

| | | |
|----------------------|---------|----------------------|
| PSDL-30W-24V | CLASS 2 | 6.5"x 3.63"x 1.03" |
| PSDL-60W-24V | CLASS 2 | 7.4"x 3.63"x 1.03" |
| PSDL-96W-24V | CLASS 2 | 8.67"x 3.67"x 1.62" |
| PSDL-150W-24V | CLASS 2 | 8.67"x 3.67"x 1.62" |
| PSDL-192W-24V | CLASS 2 | 10.25"x 4.06"x 1.82" |
| PSDL-200W-24V | | 10.25"x 4.06"x 1.82" |
| PSDL-288W-24V | | 10.25"x 4.06"x 1.82" |
| PSDL-300W-24V | | 10.25"x 4.06"x 1.82" |

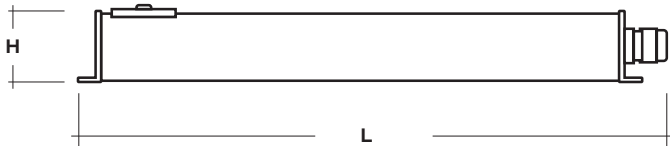


PSHK SERIES | NON-DIMMING W/ JUNCTION BOX

| | | |
|--------------------------|---------|------------------------|
| PSHK-30W-24V-UNV | CLASS 2 | 6.5" X 3.6" X 1.02" |
| PSHK-60W-24V-UNV | CLASS 2 | 7.4" X 3.62" X 1.02" |
| PSHK-96W-24V-UNV | CLASS 2 | 8.66" X 3.66" X 1.61" |
| PSHK-150W-24V-UNV | | 10.24" X 4.06" X 1.81" |
| PSHK-200W-24V-UNV | | 10.24" X 4.06" X 1.81" |
| PSHK-300W-24V-UNV | | 10.94" X 4.25" X 1.81" |

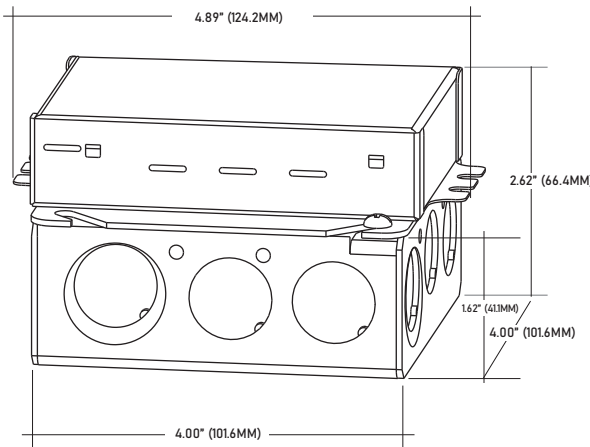
LSM-15 1.5W Indoor Flexible LED Strip

COMPATIBLE TRANSFORMERS



PSDE SERIES | 0-10V DIMMING W/ JUNCTION BOX

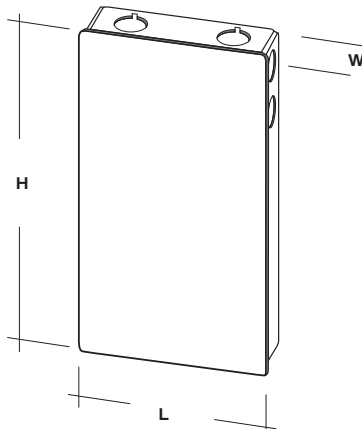
PSDE-100W-24V-010-JB CLASS 2 12.32" x 1.77" x 1.67"



LUTRON 1% | 2 OR 3-WIRE DIMMING

LTEA4U1UKL-CV240 CLASS 2 4.0" x 1.5" x 4.0"

L3DA4U1UKL-CV240 CLASS 2 4.0" x 1.5" x 4.0"



LUTRON 1%

PSDE-96W-24V-ECO CLASS 2 10.5" x 3.0" x 2.0"