

DESCRIPTION

Corelite has reinvented itself with the introduction of the DIVIDE series powered by Wavestream™ LED. The broad offering of efficient LED products include a complete family of recessed, suspended, surface, and wall mounted luminaires. A modern and low profile design is taken to a whole new level with functionally engineered features for practical use. High performing Accu-Aim™ optics allow for maximum energy savings while achieving desired light levels. The Corelite DIVIDE series is ideal for open offices, private offices, conference rooms, reception areas, retail, hallways, and educational facilities.

Catalog #		Type
Project		
Comments		Date
Prepared by		

SPECIFICATION FEATURES

Construction

Low profile housing and integral gear tray constructed from extruded Aluminum and die-formed 20 gauge cold rolled steel.

Lens

Lens is a 4mm optical grade acrylic embedded with patented Accu-Aim™ micro-optics for optimal distribution, low glare, and high performance.

Reflectors

Internal reflectors are high reflectance white powder coat painted steel.

Finish

Fixture housings are high reflectance white using electrostatically applied polyester powder coat paint. ROHS Compliant.

LED System

Fixture equipped with proprietary Cooper edgelit LED modules available in 3000, 3500, or 4000K color temperatures with a CRI ≥ 82 nominal. LED modules are precisely coupled with acrylic lens for optimal performance. Binning: Per ANSI, 3-step MacAdam Ellipse. LED modules are located on outer edge of light fixture for ideal thermal management and increased product life.

Electrical

LED modules are driven using a universal constant current LED driver (Power Factor ≥ 0.9). Fixture and modules are certified to cULus – Damp Location standards and IC Rated. 0-10V dimming control is standard. Integral Fifth Light DALI drivers are available for as an option for complete digital energy management.

Mounting

Universal flange design works with most lay-in ceiling types. Integral pryout tabs secure luminaire to ceiling grid from above. Fixture offers tie-in locations for tie-wire on all corners. Consult local code for appropriate tie-wire recommendations.

Concealed Ceiling Note

Divide Recessed Series may be installed into inaccessible ceilings (sheet rock, wood panel, etc.) with the Metalux DFW series drywall frame-in kit, ordered separately. Specify "CC" for the Corelite Ceiling Type.
1x4-Metalux #DF-14W-U.
2x4-Metalux #DF-24W-U.
2x2- Metalux #DF-22W-U.

Life and Warranty

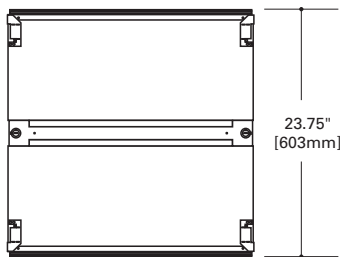
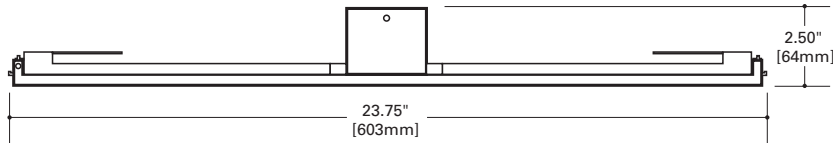
LED system rated for a minimum of L70 @ 50,000 hours (Light Level 5). Five-year warranty.



DIVIDE Recessed

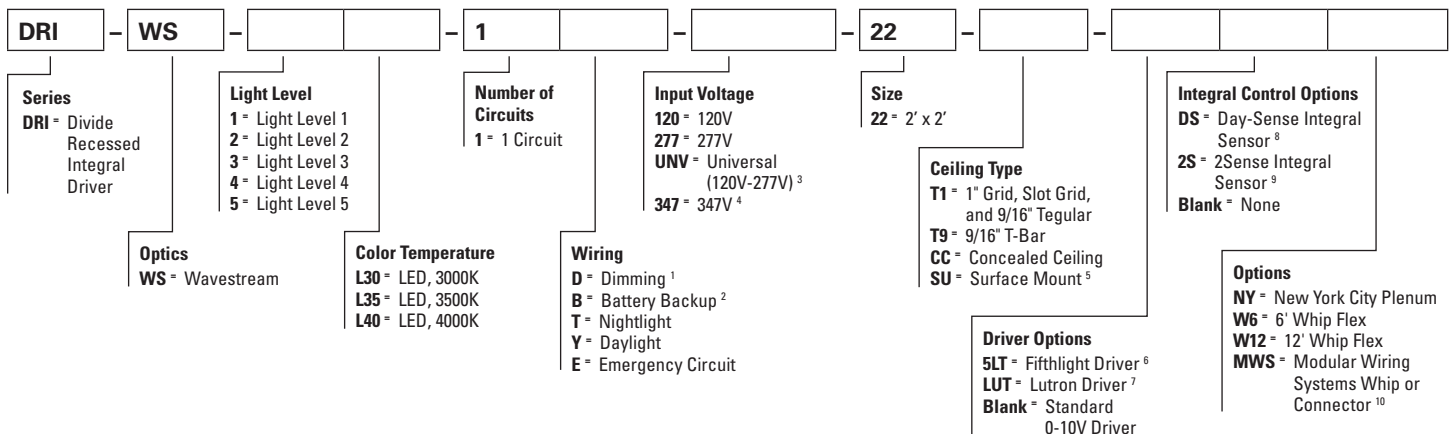
LED

2' x 2'



ORDERING INFORMATION

Sample Number: DRI-WS-2L35-1B-UNV-22-T1

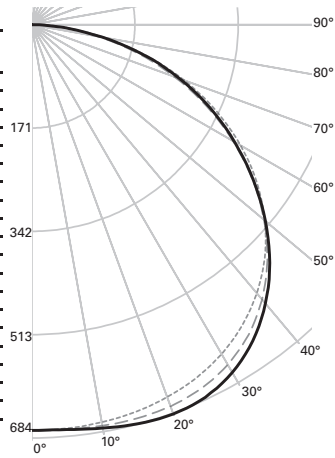


PHOTOMETRICS

DRI-WS-1L40-1C-UNV-T1-22
 2345 Lumens
 24.0 Watts
 97.7 LPW

Candela

Angle	0-Deg	45-Deg	90-Deg
0	672.03	672.03	672.03
5	671.01	673.02	672.99
10	668.52	674.17	678.29
15	663.79	674.71	684.12
20	656.33	672.4	686.28
25	645.36	664.67	680.71
30	629.54	649.87	665.16
35	607.95	626.53	638.85
40	580.45	593.79	602.66
45	545.92	552.16	557.8
50	504.23	502.53	505.41
55	428.49	416.15	418.58
60	369.31	352.78	357.66
65	303.98	286.24	294.61
70	232.84	217.11	227.77
75	158.45	146.58	155.88
80	87.85	80.53	82.77
85	35.23	28.34	21.95
90	8.36	8.14	7.28

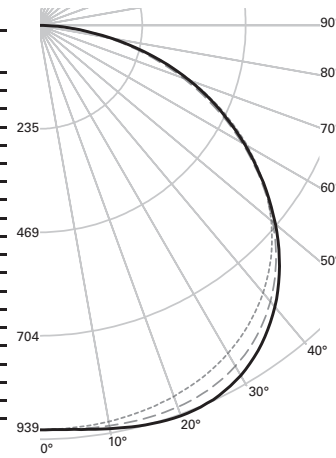


Test Report
 1,884

DRI-WS-3L35-1C-UNV-T1-22
 3215 Lumens
 34.1 Watts
 94.3 LPW

Candela

Angle	0-Deg	45-Deg	90-Deg
0	917.46	917.46	917.46
5	915.96	919.69	920.06
10	912.55	922.19	928.94
15	905.95	923.55	938.27
20	895.68	921.43	942.86
25	880.64	911.78	936.89
30	858.93	892.46	917.22
35	829.59	861.47	882
40	792.18	817.59	833.8
45	745.22	761.02	772.74
50	688.53	693.35	700.8
55	585.08	575.27	580.88
60	504.33	487.72	496.75
65	415.2	395.84	409.32
70	318.18	300.14	316.44
75	216.26	202.55	217
80	120.25	111.67	116.66
85	48.73	40.78	36.11
90	11.43	11.65	10.08



Test Report
 1,885

Coefficients of Utilization

Effective floor cavity reflectance

rc	80%			70%			50%			30%			10%			0%		
	rw	50	30	10	70	50	30	10	50	30	10	50	30	10	0			
RCR																		
0	119	119	119	119	116	116	116	111	111	111	106	106	106	102	102	102	100	
1	108	103	98	94	105	101	96	93	96	93	90	92	90	87	89	86	84	82
2	98	89	82	76	95	87	80	75	83	78	73	80	75	71	77	73	70	67
3	89	78	69	62	86	76	68	62	73	66	60	70	64	59	67	63	58	56
4	81	68	59	52	78	67	58	52	64	57	51	62	55	50	60	54	49	47
5	74	61	51	44	72	60	51	44	57	50	44	55	48	43	53	47	43	40
6	68	54	45	38	66	53	45	38	52	44	38	50	43	38	48	42	37	35
7	63	49	40	34	61	48	40	34	47	39	33	45	38	33	44	38	33	31
8	59	45	36	30	57	44	36	30	43	35	30	41	34	29	40	34	29	27
9	55	41	32	27	53	40	32	27	39	32	26	38	31	26	37	31	26	24
10	51	38	29	24	50	37	29	24	36	29	24	35	28	24	34	28	24	22

Zonal Lumen Summary

Zone	Lumens	% Fixture
0-30	562	24
0-40	952	40.6
0-60	1775	75.7
0-90	2345	100
0-180	2345	100

Coefficients of Utilization

Effective floor cavity reflectance

rc	80%			70%			50%			30%			10%			0%		
	rw	50	30	10	70	50	30	10	50	30	10	50	30	10	0			
RCR																		
0	119	119	119	119	116	116	116	111	111	111	106	106	106	102	102	102	100	
1	108	103	98	94	105	101	96	93	96	93	90	92	90	87	89	86	84	82
2	98	89	82	76	95	87	80	75	83	78	73	80	75	71	77	73	70	67
3	89	77	69	62	86	76	68	61	73	66	60	70	64	59	67	62	58	56
4	81	68	59	52	78	67	58	52	64	57	51	62	55	50	60	54	49	47
5	74	61	51	44	72	59	51	44	57	50	44	55	48	43	53	47	43	40
6	68	54	45	38	66	53	45	38	51	44	38	50	43	37	48	42	37	35
7	63	49	40	34	61	48	40	33	47	39	33	45	38	33	44	37	33	31
8	59	45	36	30	57	44	36	30	43	35	29	41	34	29	40	34	29	27
9	55	41	32	27	53	40	32	27	39	32	26	38	31	26	37	31	26	24
10	51	38	29	24	50	37	29	24	36	29	24	35	28	24	34	28	24	22

Zonal Lumen Summary

Zone	Lumens	% Fixture
0-30	768	23.9
0-40	1302	40.5
0-60	2431	75.6
0-90	3215	100
0-180	3215	100

2x2 Divide LED Light Level Outputs					
Light Level	Wattage	Lumens (delivered)	Efficacy (LPW)	Fluorescent Equivalent	Energy Savings*
1	23.6	2249	95	2T5	41%
2	27.7	2650	96	3T5	58%
3	34.1	3215	94	2T5HO	34%
4	45.8	4171	91	3T5HO	43%
5	59.5	5427	91	3T5HO	26%

*Energy savings based upon standard lamp/ballast combinations using an equivalent R2 fluorescent with nano prism lens.

Notes:

- 1 Dimming wires come standard with all fixtures. Controls wires can be capped in the field for standard switched circuit operation.
- 2 Only one battery pack per fixture. 2x4 and 1x4: Battery is not available in Light Level 5.
- 3 This option accommodates 120/220/240/277V at 60Hz.
- 4 347V is achieved using a remote mounted transformer.
- 5 See universal surface mount installation instructions for further surface mount kit information.
- 6 2x2: Fifthlight DALI driver not available in Light Levels 1 and 2.
- 7 1x4 and 2x4: Lutron Driver not available in Light Levels 4 and 5.
- 8 2x2: Lutron Driver not available in Light Levels 4 and 5.
- 8 Sensor must be combined with 0-10V dimming driver.
- 9 Sensor must be combined with 0-10V dimming driver.
- 10 MWS not available in all wiring configurations. Consult your representative for available options and whip lengths.