

DESCRIPTION

The next generation of lighting is here with the architecturally inspired Divide™ series powered by WaveStream™ LED. The broad offering of efficient LED products include a complete family of recessed, linear suspended, surface, and wall mounted luminaires. The Divide's modern, ultra-shallow design is complemented with functionally engineered features for practical use. High performing Accu-Aim™ optics allow for maximum energy savings while achieving desired light levels. Available in 4', 8' and continuous run lengths, the Corelite Divide Surface Series is ideal for open offices, private offices, retail, healthcare and educational facilities.

SPECIFICATION FEATURES

Construction

Nominal 2-1/4" x 12" housing constructed from extruded aluminum and die-formed 20 gauge cold rolled steel. Fixture weight = 6.0 lb/ft.

End Caps

Precision engineered 2-piece die cast magnesium alloy end caps attach mechanically to the end of the fixture without exposed fasteners visible from below the fixture. End cap adds 2-1/8" at each end.

Optics

Optical grade acrylic embedded with patented Accu-Aim™ micro-optics for optimal distribution, low glare, and high performance. Specular (WS) or diffuse (WD) optical patterns are available to achieve the right look for any application. See page 2 photometric data for optical performance.

Electrical

LED light engines located on outer edge of fixture for ideal thermal management and increased product life. Projected life is 100,000 hours at 87% lumen output. LEDs are available in 3000K, 3500K or 4000K with a typical CRI ≤ 85. Standard drivers are 0-10 volt continuous dimming that work with any 0-10V control/dimmer. Or, specify Digital Addressable Lighting Interface (DALI) drivers; for use with Fifth Light controls. See Ordering Information for details.

Mounting

Aircraft cable mounts on 4'-0" and 8'-0" centers. Fixture is balanced to allow for minimal leveling and simple installation. Refer to installation instructions for various ceiling interface details. Fixtures can

be joined with the patented Quick-Tab Alignment feature for precision joining and fast installation.

Finish

Fixture housings are high reflectance white using electrostatically applied polyester powder coat paint. Silver and custom colors are available.

Top Cover Options

Dust Cover (DC) option is a clear formed polycarbonate for worry free cleaning and protection. Frosted Cover (FC) option is a frosted formed polycarbonate for worry free cleaning, reduced uplight, and protection. Solid Cover (SC) option is a high reflectance white powder coat painted steel reflector for 100% downlight.

Compliance

Components are UL recognized and luminaires are cULus listed for 25°C ambient environments, damp location listed, and RoHS compliant. DesignLights Consortium™ Qualified and classified for DLC Standard, refer to www.designlights.org for details.

Warranty

Five-year warranty.



DIVIDE - DSI

WaveStream™ LED

Surface Mounted
Direct/Indirect

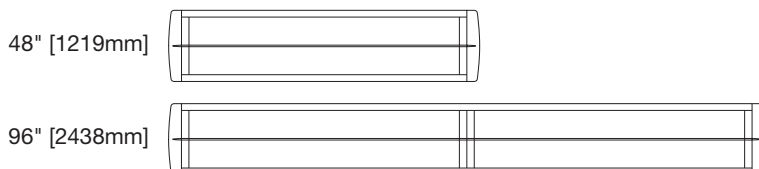
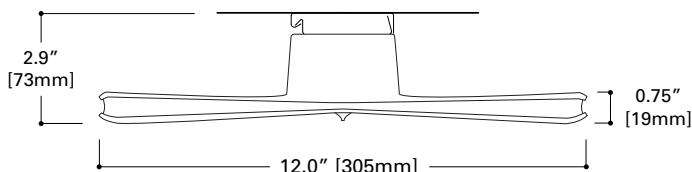
CERTIFICATION DATA
cULus – 1598
Damp Location Listed
LM79/LM80 Compliant
ROHS Compliant
DesignLights Consortium™ Qualified

LumaWatt Pro

Wireless sensing & control system | **enlighted**



powered by
fifthlight
technology



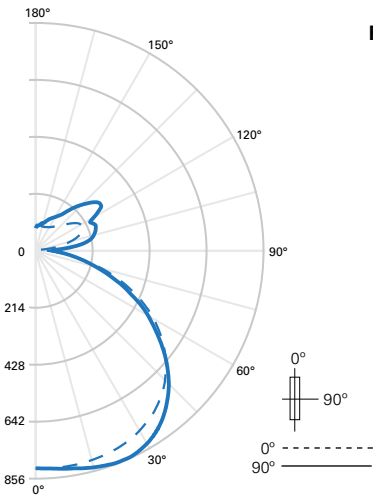
ORDERING INFORMATION

Sample Number: DSI-WS-3L35-LD2-1D-UNV-SU-JB-4-STD-FC-W

| Series ⁽¹⁾ | Optics | Light Level (Nominal lumens per 4' section) | Color Temperature | LED Version | Number of Circuits | Wiring | Input Voltage |
|---|---|---|--|--|--|---|--|
| DSI = Divide Surface | WS = WaveStream Specular Optic WD = WaveStream Diffuse Optic | 1 = Light Level 1 (2000 Lms, 15.2W) 2 = Light Level 2 (3000 Lms, 22.4W) 3 = Light Level 3 (4000 Lms, 29.9W) 4 = Light Level 4 (5000 Lms, 37.8W) 5 = Light Level 5 (6000 Lms, 46.7W) | L30 = LED 3000K L35 = LED 3500K L40 = LED 4000K | LD2 = LED 2.0 | 1 = 1 Circuit | C = Switched Circuit ⁽²⁾ D = Dimming ⁽²⁾ B = Battery Pack ⁽³⁾ E = Emergency Circuit <i>Refer to wiring definitions for more wiring options</i> | UNV = Universal (120V-277V) 347 = 347V ⁽⁴⁾ |
| Mounting | Run Length | Driver/Dimming Options | Integral Sensor (Optional) | Top Cover Options | Finish | | |
| SU-JB = Surface Mount - Junction Box ⁽⁵⁾ | 4 = 4 ft 8 = 8 ft XX = Specify Row Length ⁽⁶⁾ | STD = Standard 0-10V (10%-100%) HCD = 0-10V (1%-100%) STP = Step Dimming (Bi-Level, 50%) ⁽⁸⁾ 5LT = Fifth Light DALI (10%-100%) ⁽⁷⁾ 5LTHD = Fifth Light DALI (1%-100%) ⁽⁷⁾ SR = Sensor Ready (5%-100%) | SW = WaveLinx Wireless Integral Sensor ⁽⁹⁾⁽¹¹⁾ LWI = Lumawatt Pro Wireless Integral Sensor ⁽¹⁰⁾⁽¹¹⁾ | DC = Dust Cover FC = Frosted Cover SC = Solid Cover (100% down) (blank) = No Cover <i>Refer to photometric tests for top cover distributions</i> | W = White S = Silver CC = Custom Color | | |

See page 3 for technical notes

PHOTOMETRICS



FILE NAME: DSI-WS-3L35-LD2-1D-UNV-4-STD.IES

LAMP: (LD2) LED 3500K

LUMENS: 3995 Lm

WATTS: 30.0 W

EFFICACY: 133 Lm/W

TEST NO.: P35725

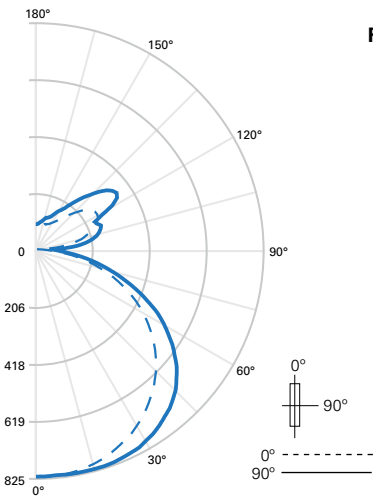
27% UP / 73% DOWN

ZONAL LUMENS SUMMARY

| Zone | Lumens | % Fixture |
|----------|--------|-----------|
| 0°-30° | 697 | 17.4 |
| 0°-90° | 2912 | 72.9 |
| 90°-130° | 760 | 19.0 |
| 90°-180° | 1083 | 27.1 |
| 0°-180° | 3995 | 100 |

LUMINANCE DATA (CD/M²)

| Vertical Angle | 0° | 45° | 90° |
|----------------|------|------|------|
| 45° | 3218 | 3285 | 3304 |
| 55° | 3310 | 3281 | 3193 |
| 65° | 3282 | 3130 | 3027 |
| 75° | 2927 | 2770 | 2718 |
| 85° | 1931 | 2665 | 3167 |



FILE NAME: DSI-WD-3L35-LD2-1D-UNV-4-STD.IES

LAMP: (LD2) LED 3500K

LUMENS: 4100 Lm

WATTS: 30.0 W

EFFICACY: 137 Lm/W

TEST NO.: P213060

29% UP / 71% DOWN

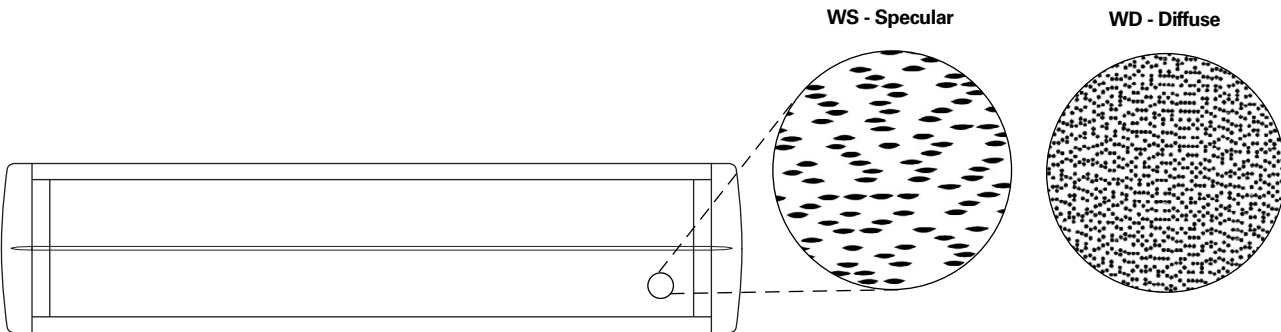
ZONAL LUMENS SUMMARY

| Zone | Lumens | % Fixture |
|----------|--------|-----------|
| 0°-30° | 308 | 16.4 |
| 0°-90° | 2910 | 71.0 |
| 90°-130° | 821 | 20.0 |
| 90°-180° | 1190 | 29.0 |
| 0°-180° | 4100 | 100 |

LUMINANCE DATA (CD/M²)

| Vertical Angle | 0° | 45° | 90° |
|----------------|------|------|------|
| 45° | 2928 | 3168 | 3409 |
| 55° | 2956 | 3301 | 3538 |
| 65° | 2965 | 3319 | 3561 |
| 75° | 2868 | 3210 | 3447 |
| 85° | 1954 | 3048 | 3596 |

WAVESTREAM ACCU-AIM OPTIC PATTERNS



LUMEN MAINTENANCE

| Ambient Temperature | TM-21 Lumen Maintenance (100,000 hours) | Theoretical L70 (Hours) |
|---------------------|---|-------------------------|
| 25°C | >87% | 256,000 |

ENERGY AND PERFORMANCE DATA

| 4' - Divide Surface Light Level Outputs and Distributions (3500K), LD2 | | | | | | |
|--|-------------|------------------|---------|----------------|--------------|--------|
| Series | Light Level | Delivered Lumens | Wattage | Efficacy (LPW) | Distribution | |
| | | | | | % Up | % Down |
| DSI-WS | 1 | 2069 | 15.2 | 136 | 27% | 73% |
| | 2 | 3000 | 22.4 | 134 | | |
| | 3 | 3995 | 29.9 | 133 | | |
| | 4 | 5039 | 37.8 | 133 | | |
| | 5 | 5968 | 46.7 | 128 | | |
| DSI-WD | 1 | 2123 | 15.2 | 140 | 29% | 71% |
| | 2 | 3079 | 22.4 | 138 | | |
| | 3 | 4100 | 29.9 | 137 | | |
| | 4 | 5172 | 37.8 | 137 | | |
| | 5 | 6125 | 46.7 | 131 | | |

TECHNICAL NOTES

- DesignLights Consortium™ Qualified and classified for DLC Standard, refer to www.designlights.org for details.
- Dimming wires come standard in all LED fixtures but can be capped in the field for standard switched operation.
- Integral emergency battery pack is 14W maximum, 90 minute output. Test switch/indicator button located on the top side of the luminaire. Patented EZ Key prevents accidental discharge of the battery during construction. For approximate delivered lumens multiply the lumens per watt of the desired fixture by the wattage of the emergency battery pack (100 lm/W x 14=1400 lumens). Multiple battery packs available, consult factory for availability.
- Integral 347V electronic driver with STD 0-10V option only. Factory supplied remote transformer for all other driver/dimming options.
- 2x4 J-box provided by others. See installation details for further information. Fixture can be surface mounted to the ceiling or wall in the horizontal or vertical orientation.
- Standard row configurations over 8' consist of 4' and 8' luminaires.
- Must be used in conjunction with a DALI control system. For a complete listing of Fifth Light Technology products and other solutions from Cooper Controls, visit www.eaton.com/lightingsystems
- STP driver not available in Light Levels 1 and 2.
- SW sensor works only with STD and HCD 0-10V drivers. Designed for use with the WaveLinx Wireless Connected Lighting system. For complete WaveLinx wireless solutions, visit www.eaton.com/wavelinx.
- LWI sensor requires the use of the SR driver. Must be used in conjunction with a LumaWatt Pro control system. For complete LumaWatt Pro wireless solutions, visit www.eaton.com/lumawattpro.
- Emergency circuit option not available with SW or LWI integral sensor options.