

DESCRIPTION

6 inch LED recessed medium beam downlight with 50° cut off specially designed for LED technology. Two-stage reflector system produces smooth distribution with excellent light control and low aperture brightness. Lumen packages include 1000, 1500, 2000 and 3000 lumens with color temperatures of 2700K, 3000K, 3500K, 4000K.

SPECIFICATION FEATURES

Lower Shielding Reflector

Self-flanged, spun .050" thick aluminum lower reflector in combination with a lensed upper optical chamber provides superior lumen output with minimal source brightness. Available in all Portfolio Alzak® finishes.

Trim Retention

Lower reflector is retained with two torsion springs holding the flange tightly to the finished ceiling surface.

Plaster Frame / Collar

New Construction Housing: Die cast aluminum 1-1/2" deep collar accommodates ceiling materials up to 2".

Universal Mounting Bracket

Accepts 1/2" EMT, C channel and bar hangers and adjusts 5" vertically from above and below the ceiling.

Junction Box

(4) 1/2" and (2) 3/4" trade size pry outs positioned to allow straight

conduit runs. Listed for (8) #12 AWG (four in, four out) 90°C conductors and feed thru branch wiring.

Thermal

Extruded aluminum heat sink conducts heat away from the LED module for optimal performance and long life.

LED

LED system contains a plurality of high brightness white LED's combined with a high reflectance upper reflector and convex transitional lens producing even distribution with no pixilation. Rated for 50,000 hours at 70% lumen maintenance. Auto resetting, thermally protected, LED's are turned off when safe operating temperatures are exceeded. Color variation within 3-step MacAdam ellipses. Flexible disconnect allows for tool-less replacement of LED engine from below ceiling. Available in 80 or 90 CRI.

Driver

Combination 120-277V 0-10V or 120V trailing edge phase cut driver provides flicker free dimming from 100% to 10%. Optional 1% 0-10V, Fifth Light, DMX or Lutron® Ecosystem. Driver can be serviced from above or through the aperture.

Code Compliance

Thermally protected and cULus listed for protected wet locations. IP66 rated when used with IP66 gasket kit accessory. Optional City of Chicago environmental air (CCEA) marking for plenum applications. EMI/RFI emissions per FCC 47CFR Part 18 Class B consumer limits. Non-IC rated - Insulation must be kept 3" from top and sides of housing. RoHS Compliant. Photometric testing completed in accordance with IES LM 79 standards. LED life testing completed in accordance with LM 80 standards.

Warranty

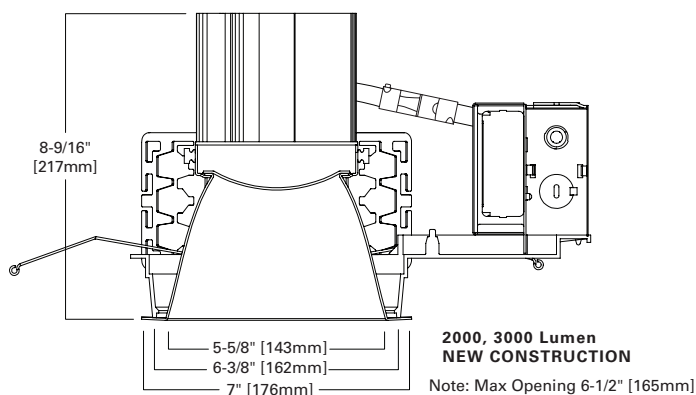
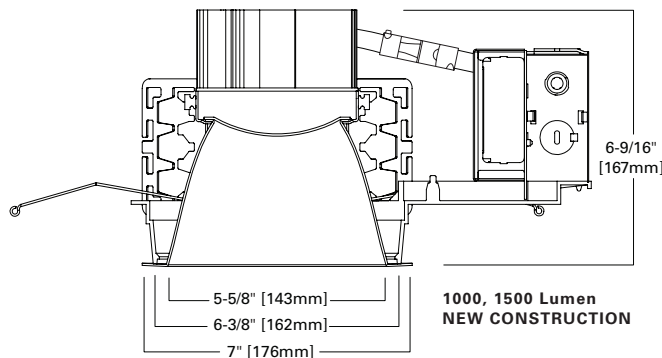
5 year warranty on LED housings, LED Modules and LED Trims.



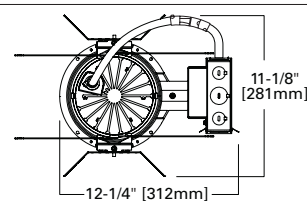
LD6A10 LD6A15 LD6A20 LD6A30 6LM

1000, 1500 Lumen LED
2000, 3000 Lumen LED

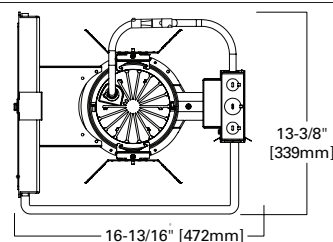
6-Inch
Medium Beam Downlight
New Construction



TOP VIEW - NEW CONSTRUCTION



TOP VIEW - NEW CONSTRUCTION WITH BATTERY



Refer to ENERGY STAR® Qualified Products List. Can be used to comply with California Title 24 High Efficacy requirements.



ORDERING INFORMATION

EXAMPLE: LD6A15D010TE ERM6A15835 6LM0LI=6" LED Medium Beam Reflector, 1500 Lumen 3,500 K Color with Universal 120 - 277V, 0 - 10 Driver

Housing	Lumens ¹	Driver	Options	Power Module	CRI	Color
LD6A=6" Aperture, LD6ACP=6" Aperture	1000, 1500, 2000 and 3000 Lumen D010TE=120-277V 0-10V 10% Dimming or Trailing Edge 120V Dimming D5LT=Fifth Light* (DALI) Dimming 1-100% DE010=1 to 100% Dimming, 120-277V 50/60Hz, 0-10V DL3=1 to 100% Dimming, 120-277V Lutron* Hi-Lume, Ecosystem or 3 Wire DLT=1 to 100% Dimming, 120V Lutron* Hi-Lume Forward Phase Dimming DMX=DMX Dimming 1-100%	1000, 1500 and 2000 Lumen D010TR=120-277V 0-10V 10% Dimming or Leading Edge 120V Dimming	EMBOD=Bodine* Emergency Module with Remote Test Switch IEMBOD=Bodine* Emergency Module with Integral test Switch ³	ERM6A10=6", 1000 Lumen Module for Medium Beam Reflector ERM6A15=6", 1500 Lumen Module for Medium Beam Reflector ERM6A20=6", 2000 Lumen Module for Medium Beam Reflector ERM6A30=6", 3000 Lumen Module for Medium Beam Reflector	8=80 CRI 9=90 CRI	27=2700° K 30=3000° K 35=3500° K 40=4000° K 27CP=2700° K, Chicago Plenum 30CP=3000° K, Chicago plenum 35CP=3500° K, Chicago Plenum 40CP=4000° K, Chiago Plenum

Reflector	Finish	Options	Accessories
6LM0=6" Medium Reflector, Polymer Trim Ring 6LM1=6" Medium Reflector, Self-flanged 6LM0E=6" Medium Reflector, Polymer Trim Ring for use with IEM Integral Emergency Option 6LM1E=6" Medium Reflector, Self-flanged for use with IEM Integral Emergency Option	LI=Specular Clear H=Semi-Specular Clear WMH=Warm Haze G=Specular Gold WH=Wheat WHH=Wheat Haze GP=Graphite GPH=Graphite Haze	B=Specular Black W=Gloss White 6LM0, 6LM0E Only BB=Black Baffle WB=White Baffle	Self-flanged Only WF=White Painted Flange HB26=C-channel Bar Hanger, 26" Long, Pair HB50=C-channel Bar Hanger, 50" Long, Pair RMB22=Wood Joist Bar Hanger, 22" Long, Pair H347=347 To 120V Step Down Transformer, 75VA H347200=347 to 120V Step Down Transformer, 200VA Housings, Specify Slope HSA6=Slope Adapter for 6" Aperture Housings, Specify Slope TRM6=Metal Trim Ring, Specify Color ² TRR6=Rimless Trim Ring ² DT6=Deco Trim ² LGSKT6IP66= P66 Gasket Kit

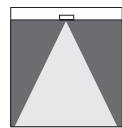
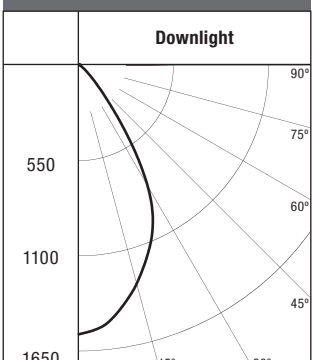
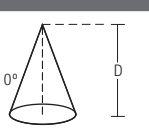
- Notes:** 1 Nominal Lumens will vary depending on selected color, driver and reflector finish.
2 Order trim with polymer trim ring (Consult specification sheet for color ordering information and options).
3 Not available with Chicago Plenum.

ENERGY

ENERGY DATA			
Sound Rating: Class A standards			
(Values at non-dimming line voltage)			
Minimum Starting Temperature: -30°C (-22°F)			
EMI/RFI: FCC Title 47 CFR, Part 15, Class B (Consumer)			
Input Voltage: UNV (120V - 277V)			
Power Factor: >0.90 (at nominal input 120-277 VAC & 100% of Rated Output Power)			
3000 Lumen D010TE		2000 Lumen D010TE	
Input Power: 43.6W	THD: <17%	Input Power: 31.5W	THD: <20%
120V Input Current: .37A	277V Input Current: .16A	120V Input Current: .27A	277V Input Current: .12A
Maximum Non-IC Ambient Continuous		Maximum Non-IC Ambient Continuous	
Input Frequency: 50/60Hz		Input Frequency: 50/60Hz	
1500 Lumen D010TE		1000 Lumen D010TE	
Input Power: 22.4W	THD: <20%	Input Power: 14.1W	THD: <20%
120V Input Current: .12A	277V Input Current: .09A	120V Input Current: .12A	277V Input Current: .06A
Maximum Non-IC Ambient Continuous		Maximum Non-IC Ambient Continuous	
Input Frequency: 50-60Hz		Input Frequency: 50-60Hz	

Lumens	120V		277V	
	Inrush (A)	Duration (ms)	Inrush (A)	Duration (ms)
900/1000	0.486	0.4	0.848	0.182
1300/1500	0.717	1.58	0.531	1.24
1800/2000	0.832	0.405	1.25	0.788
2800/3000	1.09	0.3	1.23	0.294

PHOTOMETRICS

Test Number P135434 Platform LD6A15D010TE Element ERM6A15835 6LM1H Lumens 1421 Efficacy 62.9 Lm/W SC 0.9 	CANDLEPOWER DISTRIBUTION 	CONE OF LIGHT  <table border="1"> <thead> <tr> <th>D</th> <th>FC</th> <th>L</th> <th>W</th> </tr> </thead> <tbody> <tr><td>5.5'</td><td>51</td><td>5</td><td>5</td></tr> <tr><td>7'</td><td>32</td><td>6.4</td><td>6.4</td></tr> <tr><td>8'</td><td>24</td><td>7.2</td><td>7.2</td></tr> <tr><td>9'</td><td>19</td><td>8.2</td><td>8.2</td></tr> <tr><td>10'</td><td>16</td><td>9</td><td>9</td></tr> <tr><td>12'</td><td>11</td><td>11</td><td>11</td></tr> </tbody> </table>	D	FC	L	W	5.5'	51	5	5	7'	32	6.4	6.4	8'	24	7.2	7.2	9'	19	8.2	8.2	10'	16	9	9	12'	11	11	11	CANDELA TABLE <table border="1"> <thead> <tr> <th>Degrees Vertical</th> <th>Candela</th> </tr> </thead> <tbody> <tr><td>0</td><td>1549</td></tr> <tr><td>5</td><td>1514</td></tr> <tr><td>15</td><td>1306</td></tr> <tr><td>25</td><td>1023</td></tr> <tr><td>35</td><td>493</td></tr> <tr><td>45</td><td>123</td></tr> <tr><td>55</td><td>27</td></tr> <tr><td>65</td><td>8</td></tr> <tr><td>75</td><td>2</td></tr> <tr><td>85</td><td>0</td></tr> <tr><td>90</td><td>0</td></tr> </tbody> </table>	Degrees Vertical	Candela	0	1549	5	1514	15	1306	25	1023	35	493	45	123	55	27	65	8	75	2	85	0	90	0	ZONAL LUMEN SUMMARY <table border="1"> <thead> <tr> <th>Zone</th> <th>Lumens</th> <th>%Fixture</th> </tr> </thead> <tbody> <tr><td>0-30</td><td>969</td><td>68.2</td></tr> <tr><td>0-40</td><td>1280</td><td>90.1</td></tr> <tr><td>0-60</td><td>1410</td><td>99.2</td></tr> <tr><td>0-90</td><td>1421</td><td>100.0</td></tr> <tr><td>90-180</td><td>0</td><td>0.0</td></tr> <tr><td>0-180</td><td>1421</td><td>100.0</td></tr> </tbody> </table>	Zone	Lumens	%Fixture	0-30	969	68.2	0-40	1280	90.1	0-60	1410	99.2	0-90	1421	100.0	90-180	0	0.0	0-180	1421	100.0	LUMINANCE <table border="1"> <thead> <tr> <th>Average Candela Degrees</th> <th>Average 0° Luminance</th> </tr> </thead> <tbody> <tr><td>45</td><td>11339</td></tr> <tr><td>55</td><td>3048</td></tr> <tr><td>65</td><td>1220</td></tr> <tr><td>75</td><td>403</td></tr> <tr><td>85</td><td>0</td></tr> </tbody> </table>	Average Candela Degrees	Average 0° Luminance	45	11339	55	3048	65	1220	75	403	85	0
	D	FC	L	W																																																																																						
5.5'	51	5	5																																																																																							
7'	32	6.4	6.4																																																																																							
8'	24	7.2	7.2																																																																																							
9'	19	8.2	8.2																																																																																							
10'	16	9	9																																																																																							
12'	11	11	11																																																																																							
Degrees Vertical	Candela																																																																																									
0	1549																																																																																									
5	1514																																																																																									
15	1306																																																																																									
25	1023																																																																																									
35	493																																																																																									
45	123																																																																																									
55	27																																																																																									
65	8																																																																																									
75	2																																																																																									
85	0																																																																																									
90	0																																																																																									
Zone	Lumens	%Fixture																																																																																								
0-30	969	68.2																																																																																								
0-40	1280	90.1																																																																																								
0-60	1410	99.2																																																																																								
0-90	1421	100.0																																																																																								
90-180	0	0.0																																																																																								
0-180	1421	100.0																																																																																								
Average Candela Degrees	Average 0° Luminance																																																																																									
45	11339																																																																																									
55	3048																																																																																									
65	1220																																																																																									
75	403																																																																																									
85	0																																																																																									

PHOTOMETRICS

Test Number P135314 Platform LD6A15D010TE Element ERM6A15835 6LM1LI Lumens 1592 Efficacy 70.4 Lm/W SC 0.8	CANDLEPOWER DISTRIBUTION 	CONE OF LIGHT <table border="1"> <thead> <tr> <th>D</th> <th>FC</th> <th>L</th> <th>W</th> </tr> </thead> <tbody> <tr> <td>5.5'</td> <td>73</td> <td>4.4</td> <td>4.4</td> </tr> <tr> <td>7'</td> <td>45</td> <td>5.6</td> <td>5.6</td> </tr> <tr> <td>8'</td> <td>34</td> <td>6.4</td> <td>6.4</td> </tr> <tr> <td>9'</td> <td>27</td> <td>7.2</td> <td>7.2</td> </tr> <tr> <td>10'</td> <td>22</td> <td>8</td> <td>8</td> </tr> <tr> <td>12'</td> <td>15</td> <td>9.6</td> <td>9.6</td> </tr> </tbody> </table>	D	FC	L	W	5.5'	73	4.4	4.4	7'	45	5.6	5.6	8'	34	6.4	6.4	9'	27	7.2	7.2	10'	22	8	8	12'	15	9.6	9.6	CANDELA TABLE <table border="1"> <thead> <tr> <th>Degrees Vertical</th> <th>Candela</th> </tr> </thead> <tbody> <tr><td>0</td><td>2195</td></tr> <tr><td>5</td><td>2219</td></tr> <tr><td>15</td><td>1968</td></tr> <tr><td>25</td><td>1176</td></tr> <tr><td>35</td><td>409</td></tr> <tr><td>45</td><td>33</td></tr> <tr><td>55</td><td>4</td></tr> <tr><td>65</td><td>1</td></tr> <tr><td>75</td><td>1</td></tr> <tr><td>85</td><td>0</td></tr> <tr><td>90</td><td>0</td></tr> </tbody> </table>	Degrees Vertical	Candela	0	2195	5	2219	15	1968	25	1176	35	409	45	33	55	4	65	1	75	1	85	0	90	0	ZONAL LUMEN SUMMARY <table border="1"> <thead> <tr> <th>Zone</th> <th>Lumens</th> <th>%Fixture</th> </tr> </thead> <tbody> <tr><td>0-30</td><td>1286</td><td>80.8</td></tr> <tr><td>0-40</td><td>1550</td><td>97.4</td></tr> <tr><td>0-60</td><td>1590</td><td>99.9</td></tr> <tr><td>0-90</td><td>1592</td><td>100.0</td></tr> <tr><td>90-180</td><td>0</td><td>0.0</td></tr> <tr><td>0-180</td><td>1592</td><td>100.0</td></tr> </tbody> </table>	Zone	Lumens	%Fixture	0-30	1286	80.8	0-40	1550	97.4	0-60	1590	99.9	0-90	1592	100.0	90-180	0	0.0	0-180	1592	100.0	LUMINANCE <table border="1"> <thead> <tr> <th>Average Candela Degrees</th> <th>Average 0° Luminance</th> </tr> </thead> <tbody> <tr><td>45</td><td>3072</td></tr> <tr><td>55</td><td>489</td></tr> <tr><td>65</td><td>170</td></tr> <tr><td>75</td><td>277</td></tr> <tr><td>85</td><td>0</td></tr> </tbody> </table>	Average Candela Degrees	Average 0° Luminance	45	3072	55	489	65	170	75	277	85	0
			D	FC	L	W																																																																																				
5.5'	73	4.4	4.4																																																																																							
7'	45	5.6	5.6																																																																																							
8'	34	6.4	6.4																																																																																							
9'	27	7.2	7.2																																																																																							
10'	22	8	8																																																																																							
12'	15	9.6	9.6																																																																																							
Degrees Vertical	Candela																																																																																									
0	2195																																																																																									
5	2219																																																																																									
15	1968																																																																																									
25	1176																																																																																									
35	409																																																																																									
45	33																																																																																									
55	4																																																																																									
65	1																																																																																									
75	1																																																																																									
85	0																																																																																									
90	0																																																																																									
Zone	Lumens	%Fixture																																																																																								
0-30	1286	80.8																																																																																								
0-40	1550	97.4																																																																																								
0-60	1590	99.9																																																																																								
0-90	1592	100.0																																																																																								
90-180	0	0.0																																																																																								
0-180	1592	100.0																																																																																								
Average Candela Degrees	Average 0° Luminance																																																																																									
45	3072																																																																																									
55	489																																																																																									
65	170																																																																																									
75	277																																																																																									
85	0																																																																																									


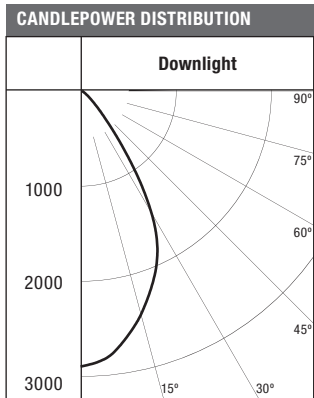
Test Number P135466 Platform LD6A20D010TE Element ERM6A20835 6LM1H Lumens 2202 Efficacy 67.1 Lm/W SC 0.9	CANDLEPOWER DISTRIBUTION 	CONE OF LIGHT <table border="1"> <thead> <tr> <th>D</th> <th>FC</th> <th>L</th> <th>W</th> </tr> </thead> <tbody> <tr> <td>5.5'</td> <td>79</td> <td>5</td> <td>5</td> </tr> <tr> <td>7'</td> <td>49</td> <td>6.4</td> <td>6.4</td> </tr> <tr> <td>8'</td> <td>38</td> <td>7.2</td> <td>7.2</td> </tr> <tr> <td>9'</td> <td>30</td> <td>8.2</td> <td>8.2</td> </tr> <tr> <td>10'</td> <td>24</td> <td>9</td> <td>9</td> </tr> <tr> <td>12'</td> <td>17</td> <td>11</td> <td>11</td> </tr> </tbody> </table>	D	FC	L	W	5.5'	79	5	5	7'	49	6.4	6.4	8'	38	7.2	7.2	9'	30	8.2	8.2	10'	24	9	9	12'	17	11	11	CANDELA TABLE <table border="1"> <thead> <tr> <th>Degrees Vertical</th> <th>Candela</th> </tr> </thead> <tbody> <tr><td>0</td><td>2400</td></tr> <tr><td>5</td><td>2347</td></tr> <tr><td>15</td><td>2024</td></tr> <tr><td>25</td><td>1585</td></tr> <tr><td>35</td><td>764</td></tr> <tr><td>45</td><td>191</td></tr> <tr><td>55</td><td>42</td></tr> <tr><td>65</td><td>12</td></tr> <tr><td>75</td><td>2</td></tr> <tr><td>85</td><td>0</td></tr> <tr><td>90</td><td>0</td></tr> </tbody> </table>	Degrees Vertical	Candela	0	2400	5	2347	15	2024	25	1585	35	764	45	191	55	42	65	12	75	2	85	0	90	0	ZONAL LUMEN SUMMARY <table border="1"> <thead> <tr> <th>Zone</th> <th>Lumens</th> <th>%Fixture</th> </tr> </thead> <tbody> <tr><td>0-30</td><td>1502</td><td>68.2</td></tr> <tr><td>0-40</td><td>1984</td><td>90.1</td></tr> <tr><td>0-60</td><td>2185</td><td>99.2</td></tr> <tr><td>0-90</td><td>2202</td><td>100.0</td></tr> <tr><td>90-180</td><td>0</td><td>0.0</td></tr> <tr><td>0-180</td><td>2202</td><td>100.0</td></tr> </tbody> </table>	Zone	Lumens	%Fixture	0-30	1502	68.2	0-40	1984	90.1	0-60	2185	99.2	0-90	2202	100.0	90-180	0	0.0	0-180	2202	100.0	LUMINANCE <table border="1"> <thead> <tr> <th>Average Candela Degrees</th> <th>Average 0° Luminance</th> </tr> </thead> <tbody> <tr><td>45</td><td>17576</td></tr> <tr><td>55</td><td>4720</td></tr> <tr><td>65</td><td>1883</td></tr> <tr><td>75</td><td>605</td></tr> <tr><td>85</td><td>0</td></tr> </tbody> </table>	Average Candela Degrees	Average 0° Luminance	45	17576	55	4720	65	1883	75	605	85	0
			D	FC	L	W																																																																																				
5.5'	79	5	5																																																																																							
7'	49	6.4	6.4																																																																																							
8'	38	7.2	7.2																																																																																							
9'	30	8.2	8.2																																																																																							
10'	24	9	9																																																																																							
12'	17	11	11																																																																																							
Degrees Vertical	Candela																																																																																									
0	2400																																																																																									
5	2347																																																																																									
15	2024																																																																																									
25	1585																																																																																									
35	764																																																																																									
45	191																																																																																									
55	42																																																																																									
65	12																																																																																									
75	2																																																																																									
85	0																																																																																									
90	0																																																																																									
Zone	Lumens	%Fixture																																																																																								
0-30	1502	68.2																																																																																								
0-40	1984	90.1																																																																																								
0-60	2185	99.2																																																																																								
0-90	2202	100.0																																																																																								
90-180	0	0.0																																																																																								
0-180	2202	100.0																																																																																								
Average Candela Degrees	Average 0° Luminance																																																																																									
45	17576																																																																																									
55	4720																																																																																									
65	1883																																																																																									
75	605																																																																																									
85	0																																																																																									

Test Number P135346 Platform LD6A20D010TE Element ERM6A20835 6LM1LI Lumens 2510 Efficacy 76.5 Lm/W SC 0.8	CANDLEPOWER DISTRIBUTION 	CONE OF LIGHT <table border="1"> <thead> <tr> <th>D</th> <th>FC</th> <th>L</th> <th>W</th> </tr> </thead> <tbody> <tr> <td>5.5'</td> <td>114</td> <td>4.4</td> <td>4.4</td> </tr> <tr> <td>7'</td> <td>71</td> <td>5.6</td> <td>5.6</td> </tr> <tr> <td>8'</td> <td>54</td> <td>6.4</td> <td>6.4</td> </tr> <tr> <td>9'</td> <td>43</td> <td>7.2</td> <td>7.2</td> </tr> <tr> <td>10'</td> <td>35</td> <td>8</td> <td>8</td> </tr> <tr> <td>12'</td> <td>24</td> <td>9.6</td> <td>9.6</td> </tr> </tbody> </table>	D	FC	L	W	5.5'	114	4.4	4.4	7'	71	5.6	5.6	8'	54	6.4	6.4	9'	43	7.2	7.2	10'	35	8	8	12'	24	9.6	9.6	CANDELA TABLE <table border="1"> <thead> <tr> <th>Degrees Vertical</th> <th>Candela</th> </tr> </thead> <tbody> <tr><td>0</td><td>3461</td></tr> <tr><td>5</td><td>3499</td></tr> <tr><td>15</td><td>3103</td></tr> <tr><td>25</td><td>1853</td></tr> <tr><td>35</td><td>645</td></tr> <tr><td>45</td><td>53</td></tr> <tr><td>55</td><td>7</td></tr> <tr><td>65</td><td>2</td></tr> <tr><td>75</td><td>2</td></tr> <tr><td>85</td><td>0</td></tr> <tr><td>90</td><td>0</td></tr> </tbody> </table>	Degrees Vertical	Candela	0	3461	5	3499	15	3103	25	1853	35	645	45	53	55	7	65	2	75	2	85	0	90	0	ZONAL LUMEN SUMMARY <table border="1"> <thead> <tr> <th>Zone</th> <th>Lumens</th> <th>%Fixture</th> </tr> </thead> <tbody> <tr><td>0-30</td><td>2028</td><td>80.8</td></tr> <tr><td>0-40</td><td>2444</td><td>97.4</td></tr> <tr><td>0-60</td><td>2507</td><td>99.9</td></tr> <tr><td>0-90</td><td>2510</td><td>100.0</td></tr> <tr><td>90-180</td><td>0</td><td>0.0</td></tr> <tr><td>0-180</td><td>2510</td><td>100.0</td></tr> </tbody> </table>	Zone	Lumens	%Fixture	0-30	2028	80.8	0-40	2444	97.4	0-60	2507	99.9	0-90	2510	100.0	90-180	0	0.0	0-180	2510	100.0	LUMINANCE <table border="1"> <thead> <tr> <th>Average Candela Degrees</th> <th>Average 0° Luminance</th> </tr> </thead> <tbody> <tr><td>45</td><td>4844</td></tr> <tr><td>55</td><td>773</td></tr> <tr><td>65</td><td>262</td></tr> <tr><td>75</td><td>429</td></tr> <tr><td>85</td><td>0</td></tr> </tbody> </table>	Average Candela Degrees	Average 0° Luminance	45	4844	55	773	65	262	75	429	85	0
			D	FC	L	W																																																																																				
5.5'	114	4.4	4.4																																																																																							
7'	71	5.6	5.6																																																																																							
8'	54	6.4	6.4																																																																																							
9'	43	7.2	7.2																																																																																							
10'	35	8	8																																																																																							
12'	24	9.6	9.6																																																																																							
Degrees Vertical	Candela																																																																																									
0	3461																																																																																									
5	3499																																																																																									
15	3103																																																																																									
25	1853																																																																																									
35	645																																																																																									
45	53																																																																																									
55	7																																																																																									
65	2																																																																																									
75	2																																																																																									
85	0																																																																																									
90	0																																																																																									
Zone	Lumens	%Fixture																																																																																								
0-30	2028	80.8																																																																																								
0-40	2444	97.4																																																																																								
0-60	2507	99.9																																																																																								
0-90	2510	100.0																																																																																								
90-180	0	0.0																																																																																								
0-180	2510	100.0																																																																																								
Average Candela Degrees	Average 0° Luminance																																																																																									
45	4844																																																																																									
55	773																																																																																									
65	262																																																																																									
75	429																																																																																									
85	0																																																																																									

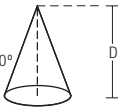
Test Number P135370 Platform LD6A30D010TE Element ERM6A30835 6LM1LI Lumens 3014 Efficacy 66.4 Lm/W SC 0.8	CANDLEPOWER DISTRIBUTION 	CONE OF LIGHT <table border="1"> <thead> <tr> <th>D</th> <th>FC</th> <th>L</th> <th>W</th> </tr> </thead> <tbody> <tr> <td>5.5'</td> <td>137</td> <td>4.4</td> <td>4.4</td> </tr> <tr> <td>7'</td> <td>85</td> <td>5.6</td> <td>5.6</td> </tr> <tr> <td>8'</td> <td>65</td> <td>6.4</td> <td>6.4</td> </tr> <tr> <td>9'</td> <td>51</td> <td>7.2</td> <td>7.2</td> </tr> <tr> <td>10'</td> <td>42</td> <td>8</td> <td>8</td> </tr> <tr> <td>12'</td> <td>29</td> <td>9.6</td> <td>9.6</td> </tr> </tbody> </table>	D	FC	L	W	5.5'	137	4.4	4.4	7'	85	5.6	5.6	8'	65	6.4	6.4	9'	51	7.2	7.2	10'	42	8	8	12'	29	9.6	9.6	CANDELA TABLE <table border="1"> <thead> <tr> <th>Degrees Vertical</th> <th>Candela</th> </tr> </thead> <tbody> <tr><td>0</td><td>4156</td></tr> <tr><td>5</td><td>4201</td></tr> <tr><td>15</td><td>3726</td></tr> <tr><td>25</td><td>2226</td></tr> <tr><td>35</td><td>774</td></tr> <tr><td>45</td><td>63</td></tr> <tr><td>55</td><td>8</td></tr> <tr><td>65</td><td>2</td></tr> <tr><td>75</td><td>2</td></tr> <tr><td>85</td><td>0</td></tr> <tr><td>90</td><td>0</td></tr> </tbody> </table>	Degrees Vertical	Candela	0	4156	5	4201	15	3726	25	2226	35	774	45	63	55	8	65	2	75	2	85	0	90	0	ZONAL LUMEN SUMMARY <table border="1"> <thead> <tr> <th>Zone</th> <th>Lumens</th> <th>%Fixture</th> </tr> </thead> <tbody> <tr><td>0-30</td><td>2436</td><td>80.8</td></tr> <tr><td>0-40</td><td>2935</td><td>97.4</td></tr> <tr><td>0-60</td><td>3010</td><td>99.9</td></tr> <tr><td>0-90</td><td>3014</td><td>100.0</td></tr> <tr><td>90-180</td><td>0</td><td>0.0</td></tr> <tr><td>0-180</td><td>3014</td><td>100.0</td></tr> </tbody> </table>	Zone	Lumens	%Fixture	0-30	2436	80.8	0-40	2935	97.4	0-60	3010	99.9	0-90	3014	100.0	90-180	0	0.0	0-180	3014	100.0	LUMINANCE <table border="1"> <thead> <tr> <th>Average Candela Degrees</th> <th>Average 0° Luminance</th> </tr> </thead> <tbody> <tr><td>45</td><td>5813</td></tr> <tr><td>55</td><td>921</td></tr> <tr><td>65</td><td>309</td></tr> <tr><td>75</td><td>504</td></tr> <tr><td>85</td><td>0</td></tr> </tbody> </table>	Average Candela Degrees	Average 0° Luminance	45	5813	55	921	65	309	75	504	85	0
			D	FC	L	W																																																																																				
5.5'	137	4.4	4.4																																																																																							
7'	85	5.6	5.6																																																																																							
8'	65	6.4	6.4																																																																																							
9'	51	7.2	7.2																																																																																							
10'	42	8	8																																																																																							
12'	29	9.6	9.6																																																																																							
Degrees Vertical	Candela																																																																																									
0	4156																																																																																									
5	4201																																																																																									
15	3726																																																																																									
25	2226																																																																																									
35	774																																																																																									
45	63																																																																																									
55	8																																																																																									
65	2																																																																																									
75	2																																																																																									
85	0																																																																																									
90	0																																																																																									
Zone	Lumens	%Fixture																																																																																								
0-30	2436	80.8																																																																																								
0-40	2935	97.4																																																																																								
0-60	3010	99.9																																																																																								
0-90	3014	100.0																																																																																								
90-180	0	0.0																																																																																								
0-180	3014	100.0																																																																																								
Average Candela Degrees	Average 0° Luminance																																																																																									
45	5813																																																																																									
55	921																																																																																									
65	309																																																																																									
75	504																																																																																									
85	0																																																																																									

PHOTOMETRICS

Test Number	P135490
Platform	LD6A30D010TE
Element	ERM6A30835 6LM1H
Lumens	2644
Efficacy	58.2 Lm/W
SC	0.9

CONE OF LIGHT



D	FC	L	W
5.5'	95	5	5
7'	59	6.4	6.4
8'	45	7.2	7.2
9'	36	8.2	8.2
10'	29	9	9
12'	20	11	11

CANDELA TABLE

Degrees Vertical	Candela
0	2882
5	2818
15	2431
25	1903
35	918
45	229
55	50
65	15
75	3
85	0
90	0

ZONAL LUMEN SUMMARY

Zone	Lumens	%Fixture
0-30	1804	68.2
0-40	2382	90.1
0-60	2623	99.2
0-90	2644	100.0
90-180	0	0.0
0-180	2644	100.0

LUMINANCE

Average Candela Degrees	Average 0° Luminance
45	21101
55	5664
65	2269
75	731
85	0