

DESCRIPTION

"The Triad" features an extremely wide and uniform individual light distribution, a luminaire profile of only 10-1/4" wide x 3" high, with an integral ballast. Recessed ends and advanced joiner details give the visual impression of a light, radiant luminaire. All these elements combined make the Neo-Ray Triad an appropriate luminaire for open plan offices, private offices, conference rooms, VDT workspaces, class rooms, trading rooms, and reception areas.

Catalog #		Type
Project		
Comments		Date
Prepared by		

SPECIFICATION FEATURES

A ... Construction

20-gauge steel construction with staggered round hole pattern backed by white acrylic diffuser. Slotted perforation optional. Nominal 3', 4', 5', 6' or 8' illuminated sections.

End Caps

Die-cast aluminum.

B ... Reflectors

Side and center reflectors are formed semi-specular anodized aluminum.

C ... Electrical

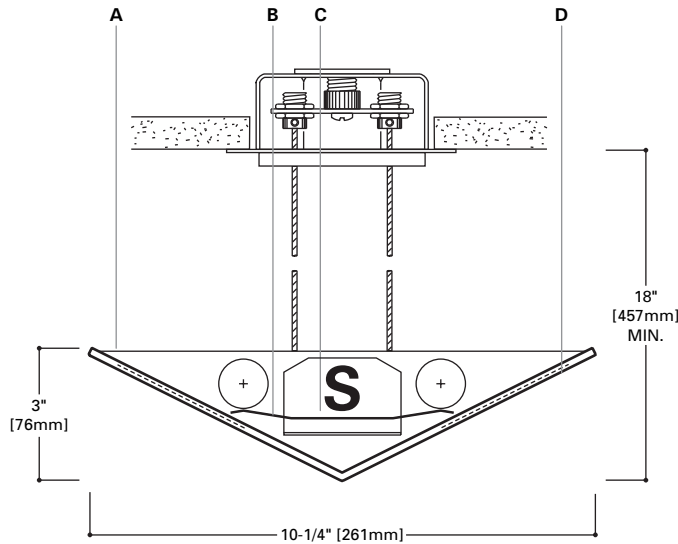
120, 277, 347 or Universal Voltage electronic ballast. Luminaires and electrical components certified to UL and CUL standards. Note: Please consult factory, Fifthlight may not be available in some configured options.

D ... Finish

Durable, low gloss, white, powder coated acrylic finish.

Mounting

Pendant: Dual cable, 3/32" (standard); dual stem; single cable; single stem, 5" diameter cover (standard).



S = Slim Line Ballast only.

Triad 17-IP

2T8
2T5
2T5HO

Suspended
Semi-Indirect

Light Distribution:
Indirect - 93.3%
Direct - 6.7%



Perforated Patterns



S - Slotted

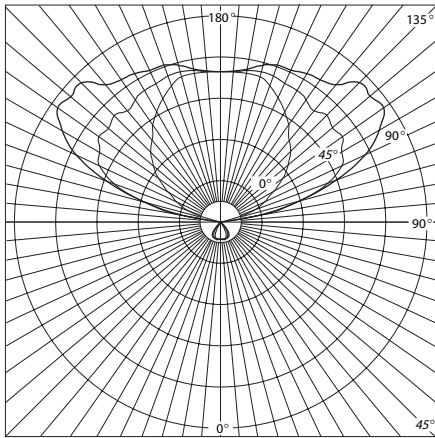
ORDERING INFORMATION

Sample Number: 17IP-2T8-ST36-1EB-SI-RP

Series 17: Triad	Light Output I: Indirect Mounting P: Pendant	Number of Lamps (Per cross section, not included) 2: 2 Lamps Lamp Type T8 T5 T5HO	Pendant Single Cable 12", 15", 18", 21", 24", 48", > 48", or > 120" Single Stem ¹ 24", 36", or 48" Dual Cable 12", 15", 18", 21", 24", 48", > 48", or > 120" Dual Stem 24", 36", or 48"	Run Length Overall Nominal Run Length ___ ft. Voltage ² 1: 120V 2: 277V 3: 347V U: Universal	Ballast EB: Electronic Ballast (Standard) DB: Dimming Ballast Perforation BP: None RP: Round SP: Slotted Emergency EM: Emergency Pack (Consult Factory)	Fusing GLR GMF
----------------------------	---	---	---	---	--	-----------------------------

Notes: 1 Available with 7° or earthquake 45° swivel canopy assembly.
2 Not all options available. Please consult your Cooper Lighting Representative for availability.

PHOTOMETRICS



17IP-2T8
 (2) F32T8/735/RS
 2850 Lumens
 Efficiency 78.4%
 Test Report
 #10505

Coefficients of Utilization

rc	Effective floor cavity reflectance									
	80%			50%			30%			
	70	50	30	10	50	30	10	50	30	10
rw	70	50	30	10	50	30	10	50	30	10
RCR										
1	69	66	63	60	40	39	38	25	25	24
2	63	57	53	49	35	33	31	22	21	20
3	57	50	45	41	31	28	26	20	18	17
4	52	44	39	34	28	25	22	17	16	14
5	48	39	34	29	25	21	19	16	14	12
6	44	35	30	25	22	19	16	14	12	11
7	41	32	26	22	20	17	14	13	11	09
8	38	29	23	19	18	15	13	11	10	08
9	35	26	21	17	16	13	11	10	09	07
10	33	24	19	15	15	12	10	10	08	07

Candela

Angle	Along II	45°	Across ⊥
0	117	117	117
5	117	117	117
15	113	113	114
25	101	104	109
35	90	93	96
45	64	67	73
55	41	50	60
65	18	33	46
75	3	20	33
85	0	7	20
90	0	4	13
95	33	118	117
105	158	529	571
115	327	812	1025
125	495	940	1224
135	663	982	1279
145	771	948	1127
155	897	990	1090
165	965	988	1031
175	991	991	993
180	1005	1005	1005

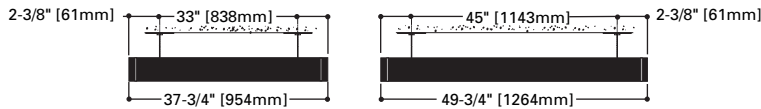
Zonal Lumen Summary

Zone	Lumens	%Lamp	%Fixture
0-30	92	1.6	2.0
0-40	150	2.5	3.2
0-60	248	4.2	5.4
0-90	309	5.2	6.7
90-120	1332	22.6	28.8
90-130	2134	36.2	46.1
90-150	3485	59.1	75.3
90-180	4319	73.2	93.3
0-180	4628	78.4	100.0

Total Luminaire Efficiency = 78.4%

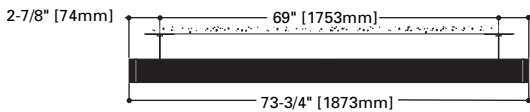
MOUNTING INFORMATION

3FT. Row

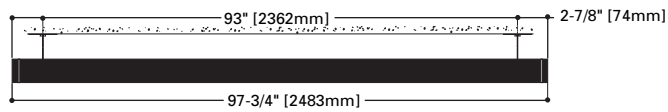


4FT. Row

6FT. Row



8FT. Row



12FT. Row

