

## DESCRIPTION

- LED asymmetric distribution
- Extruded aluminum housing
- Die-cast aluminum end-caps
- Die-cast adjustable mounting arms
- Alanod® MIRO® 4 aluminum reflector
- Extruded, lightly diffused acrylic lens standard
- Electrostatically applied polyester powder coat paint finish

Catalog #		Type
Project		
Comments		Date
Prepared by		

## SPECIFICATION FEATURES

### Construction

Housing is corrosion-resistant Type 6063-T6 aluminum extrusion with die-cast aluminum end caps. End caps are secured by concealed stainless steel fasteners. Housing, end caps and lens are sealed with single, closed cell silicone gaskets. Stainless steel hardware is standard.

### Reflector

Reflector is constructed from highly specular Alanod® MIRO® 4 aluminum with minimum 95% reflectance.

### Aiming

Fixture includes the PointGrab2™ lockable aiming system, providing minimum 180 degree vertical adjustment of the fixture housing in 5 degree increments. The aiming feature locks securely in place by means of a stainless steel locking mechanism.

### Lens

A lightly diffused acrylic lens is standard, constructed of impact-resistant, U.V. stabilized virgin acrylic to prevent discoloration.

### Electrical

LED fixtures use .92 power factor UL 1310 Class 2 AC to DC driver with built-in dimming. Integral LED lamp modules are easily replaceable in the field.

### Mounting

Fixture includes Slide-N-Mount™ adjustable, lockable mounting arms (patent pending), constructed from Type 383 die-cast aluminum. Support structure by others.

### Finish

Fixture housing is finished using electrostatically applied polyester powdercoat paint. Consult factory for custom colors.

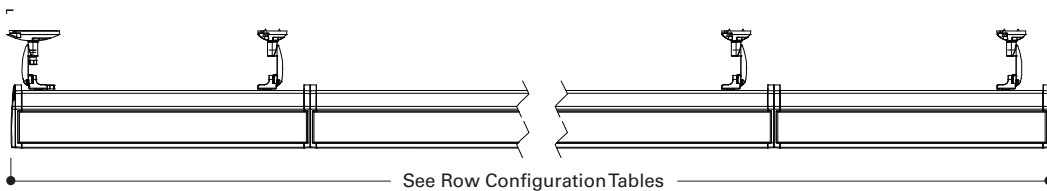
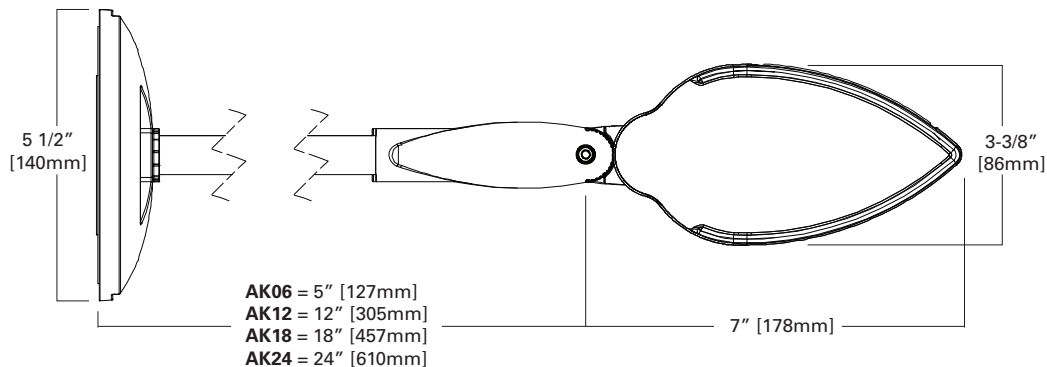
### Labels

UL / cUL listed for use in damp locations.



## ARROWLINEAR LED

Extra Small Integral  
Continuous Row  
**CANTILEVER**



Lamp Chart

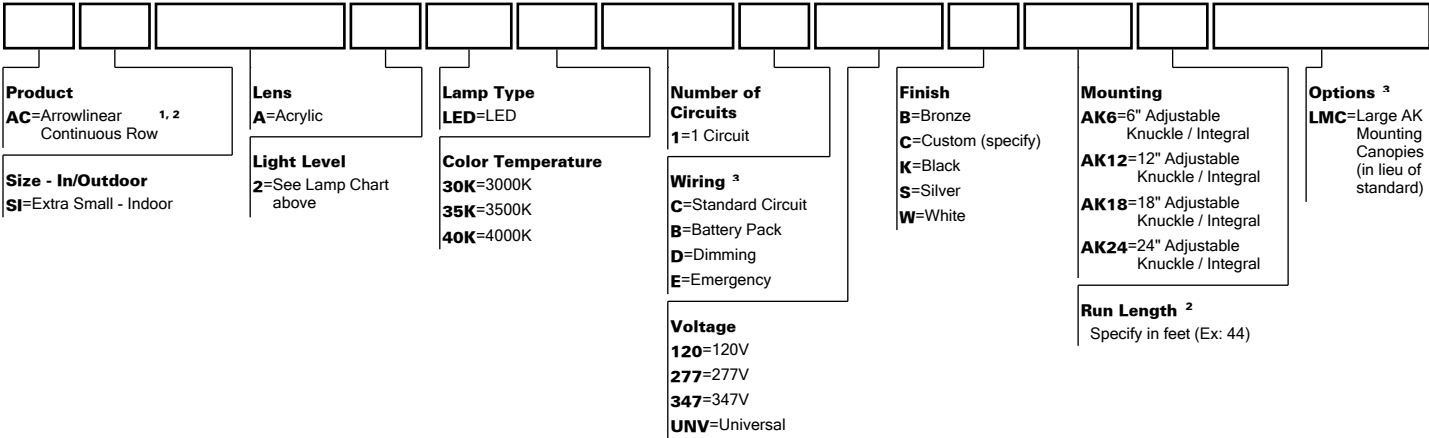
Lamp Source	* Light Level 2: Absolute Lumens	Nominal Fixture Length	** Actual Fixture Length
LED	2000	2'	See Row Configuration tables
LED	3000	3'	See Row Configuration tables
LED	4000	4'	See Row Configuration tables
LED	6000	6'	See Row Configuration tables
LED	8000	8'	See Row Configuration tables
LED	12,000	12'	See Row Configuration tables

\* Based on 3500K CCT. See photometric files at www.ametrixlighting.com for delivered lumen levels.

\*\* See Row Configuration tables for nominal and actual row lengths.

ORDERING INFORMATION

Sample Number: AC-SI-A-2-LED-L30-1C-120-W-AK6-44



- Notes: 1 See Row Configuration tables for details.
- 2 Separate power feed required at maximum 80' intervals (120V) or 200' intervals (277V).
- 3 All options may not be available with all models.

INDOOR - LED

Nominal Length (feet)	12'	8'	6'	4'	3'	2'	Actual Length
2						1	2.28
3					1		3.26
4				1			4.25
5				1			4.25
6			1				6.45
7			1				6.45
8		1					8.42
9		1					8.42
10			1	1			9.64
11				2	1		11.61
12	1						12.60
13	1						12.60
14		1		2			14.80
15		1		2			14.80
16		2					16.77
17		2					16.77
18	1			2			18.98
19	1			2			18.98
20		2		1			19.96
21	1		2				20.94
22		1	2				21.18
23		2	1				23.15
24		2	1				23.15
25	2						25.12
26	2						25.12
27	2					1	27.32
28	2				1		28.31
29	2			1			29.29
30	2			1			29.29
31	2		1				31.50
32	2		1				31.50
33	2	1					33.47
34	2	1					33.47

Nominal Length (feet)	12'	8'	6'	4'	3'	2'	Actual Length
35	2			2		1	35.67
36	2			2		1	35.67
37	3						37.64
38	3						37.64
39	2		1	2			39.85
40	2		1	2			39.85
41	2	2					41.82
42	2	2					41.82
43	2	2					41.82
44	2	2		1			45.99
45	2	2		1			45.99
46	2	2		1			45.99
47	3		1		1		47.21
48	2	2	1				48.20
49	2	2	1				48.20
50	4						50.16
51	4						50.16
52	3	1	1				52.37
53	4				1		53.35
54	3	2					54.34
55	3	2					54.34
56	4		1				56.54
57	4		1				56.54
58	4	1					58.51
59	4	1					58.51
60	4		1	1			60.72
61	4		1	1			60.72
62	5						62.69
63	5						62.69
64	4	1	1				64.89
65	4	1	1				64.89
66	4	2					66.86
67	4	2	1				67.10

Nominal Length (feet)	12'	8'	6'	4'	3'	2'	Actual Length
68	4	2	1				67.10
69	5		1				69.07
70	4	2			1		70.05
71	4	2		1			71.03
72	4	2		1			71.03
73	4	2	1				73.24
74	5	1			1		74.22
75	6						75.21
76	6						75.21
77	5	1	1				77.41
78	5	1	1				77.41
79	5	2					79.38
80	5	2					79.38
81	6		1				81.59
82	6		1				81.59
83	6	1					83.56
84	6	1					83.56
85	6		1		1		84.78
86	5	2	1				85.76
87	7						87.73
88	7						87.73
89	6	1	1				89.94
90	6	1	1				89.94
91	7					1	90.92
92	6	2					91.90
93	6	2					91.90
94	7		1				94.11
95	7		1				94.11
96	6	2		1			96.08
97	6	2		1			96.08
98	7		1	1			98.28
99	7	1			1		99.27
100	8						100.25

Note: Consult factory for alternate row configurations.