

DESCRIPTION

SNLED Industrial version is a narrow striplight series with focused reflector series. This high quality luminaire is dedicated to the latest solid state lighting and electronic driver technology for optimal performance and energy efficiency. The reflector is offered in two different versions - standard or high lumen models and are produced from either specular or white material.

The narrow design of the SNLED makes it an ideal choice for industrial applications. The SNLED Series can be the illumination solution in commercial, industrial, retail and residential applications. Fixtures can be used in storage/utility areas, coves, display cases, shops, task and general area lighting.

SPECIFICATION FEATURES

Construction

Channel is die formed cold rolled steel with numerous KOs for ease of installation. Groove for Tong Hanger. End plate quickly converts to snap-in channel connector for continuous row alignment. Channel/wireway cover secured with sheet metal screw.

Controls

Equipped standard with a 0-10V continuous dimming driver that works with any standard 0-10V control/dimmer. Dimming range is 10% to 100%; varies by control device. Combine with energy-saving products like occupancy sensors, day lighting controls, and lighting relay panels to maximize energy savings. For motion control, reference options for both end and middle of the row applications.

Electrical

Long-Life LED system coupled with electronic (120-277V) driver to deliver optimal lighting performance. LED's available in 3000K, 3500K, 4000K, or 5000K with a CRI \geq 85. Other color temperatures are available. Projected life is 60,000 hours at 70% lumen output. This driver is 0-10V dimming standard.

Emergency Battery Pack Option

Optional 120v-277v integral emergency battery pack is available in 7-watts or 14-watts to meet critical life-safety lighting

requirements. The 90-minute batteries provide constant power to the LED system, ensuring code-compliance. A test switch/indicator button can be tested safely from the ground using a laser pointer, while the patented EZ Key prevents accidental discharge of the battery during construction. See ordering information for details.

Reflector

Available in either specular or white material.

Channel/Wireway Cover

Die formed heavy gauge steel. Tight fit for ease of maintenance.

Installation

Fixture may be surface, pendant, or stem mounted. See accessories below in ordering information.

Catalog #		Type
Project		
Comments		Date
Prepared by		

Compliance

Components are UL recognized. Indoor luminaires are cULus listed for 40° C ambient environments, RoHS compliant, and comply with IESNA LM-79. LEDs comply with LM-80 standards. DesignLights Consortium® Qualified. Refer to www.designlights.org Qualified Products List under Family Models for details.

Warranty

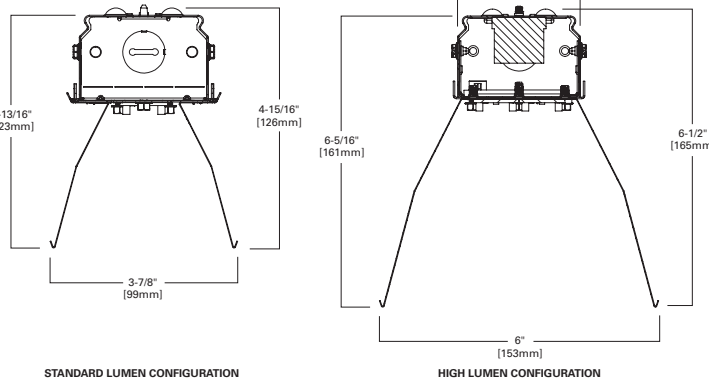
Five-year warranty.



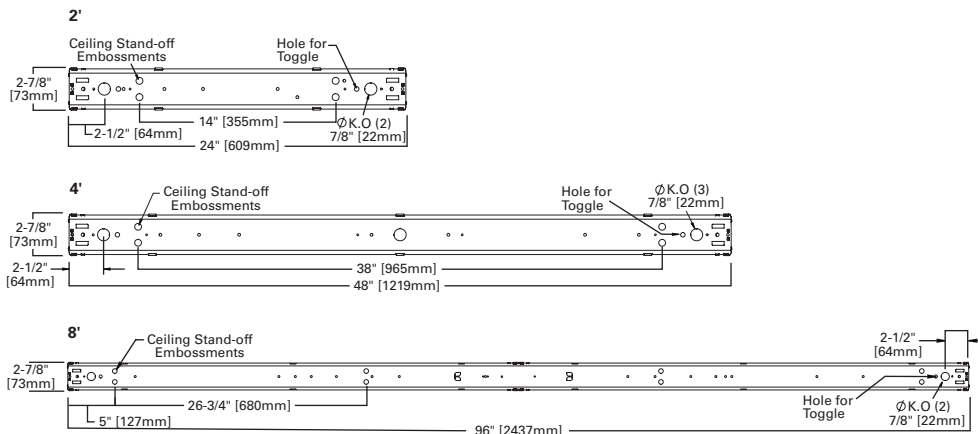
SNLED INDUSTRIAL LED

Reflector LED Striplight

powered by
fifthlight
technology



MOUNTING DATA



SNLED Type	Stock / MTO	Lumen Type	Length	Catalog Logic	Nominal Lumens	Wattage	lm/W
Miro Reflector (RM)	MTO	Standard	2 ft.	2SNLED-LD4-19SL-RM-UNV-L8XX-CD1-U	1957	17	111
Miro Reflector (RM)	MTO	Standard	2 ft.	2SNLED-LD4-23SL-RM-UNV-L8XX-CD1-U	2387	22	106
Miro Reflector (RM)	MTO	Standard	2 ft.	2SNLED-LD4-27SL-RM-UNV-L8XX-CD1-U	2784	23	116

Miro Reflector (RM)	MTO	Standard	4 ft.	4SNLED-LD4-19SL-RM-UNV-L8XX-CD1-U	2092	16	117
Miro Reflector (RM)	MTO	Standard	4 ft.	4SNLED-LD4-23SL-RM-UNV-L8XX-CD1-U	2362	18	125
Miro Reflector (RM)	MTO	Standard	4 ft.	4SNLED-LD4-27SL-RM-UNV-L8XX-CD1-U	2760	22	125
Miro Reflector (RM)	MTO	Standard	4 ft.	4SNLED-LD4-31SL-RM-UNV-L8XX-CD1-U	3142	25	124
Miro Reflector (RM)	MTO	Standard	4 ft.	4SNLED-LD4-35SL-RM-UNV-L8XX-CD1-U	3523	28	123
Miro Reflector (RM)	MTO	Standard	4 ft.	4SNLED-LD4-39SL-RM-UNV-L8XX-CD1-U	3924	32	121
Miro Reflector (RM)	MTO	Standard	4 ft.	4SNLED-LD4-42SL-RM-UNV-L8XX-CD1-U	4346	37	115
Miro Reflector (RM)	MTO	Standard	4 ft.	4SNLED-LD4-47SL-RM-UNV-L8XX-CD1-U	4738	41	115
Miro Reflector (RM)	MTO	Standard	4 ft.	4SNLED-LD4-50SL-RM-UNV-L8XX-CD1-U	5127	46	110
Miro Reflector (RM)	MTO	Standard	4 ft.	4SNLED-LD4-54SL-RM-UNV-L8XX-CD1-U	5500	50	108
Miro Reflector (RM)	MTO	Standard	4 ft.	4SNLED-LD4-58SL-RM-UNV-L8XX-CD1-U	5866	56	103
Miro Reflector (RM)	MTO	High	4 ft.	4SNLED-LD4-62HL-RM-UNV-L8XX-CD1-U	6278	51	122

Miro Reflector (RM)	MTO	Standard	8 ft.	8TSNLED-LD4-62SL-RM-UNV-L8XX-CD1-U	6285	50	124
Miro Reflector (RM)	MTO	Standard	8 ft.	8TSNLED-LD4-70SL-RM-UNV-L8XX-CD1-U	7045	57	123
Miro Reflector (RM)	MTO	Standard	8 ft.	8TSNLED-LD4-78SL-RM-UNV-L8XX-CD1-U	7847	65	121
Miro Reflector (RM)	MTO	Standard	8 ft.	8TSNLED-LD4-85SL-RM-UNV-L8XX-CD1-U	8692	73	116
Miro Reflector (RM)	MTO	Standard	8 ft.	8TSNLED-LD4-95SL-RM-UNV-L8XX-CD2-U	9476	82	116
Miro Reflector (RM)	MTO	Standard	8 ft.	8TSNLED-LD4-101SL-RM-UNV-L8XX-CD2-U	10254	91	111
Miro Reflector (RM)	MTO	Standard	8 ft.	8TSNLED-LD4-109SL-RM-UNV-L8XX-CD2-U	10999	100	109

SNLED Type	Stock / MTO	Lumen Type	Length	Catalog Logic	Nominal Lumens	Wattage	lm/W
White Reflector (RW)	MTO	Standard	2 ft.	2SNLED-LD4-18SL-RW-UNV-L8XX-CD1-U	1805	17	111
White Reflector (RW)	MTO	Standard	2 ft.	2SNLED-LD4-21SL-RW-UNV-L8XX-CD1-U	2201	22	106
White Reflector (RW)	MTO	Standard	2 ft.	2SNLED-LD4-25SL-RW-UNV-L8XX-CD1-U	2568	23	116

White Reflector (RW)	MTO	Standard	4 ft.	4SNLED-LD4-18SL-RW-UNV-L8XX-CD1-U	1929	16	117
White Reflector (RW)	MTO	Standard	4 ft.	4SNLED-LD4-21SL-RW-UNV-L8XX-CD1-U	2178	18	125
White Reflector (RW)	MTO	Standard	4 ft.	4SNLED-LD4-25SL-RW-UNV-L8XX-CD1-U	2545	22	125
White Reflector (RW)	MTO	Standard	4 ft.	4SNLED-LD4-28SL-RW-UNV-L8XX-CD1-U	2898	25	124
White Reflector (RW)	MTO	Standard	4 ft.	4SNLED-LD4-32SL-RW-UNV-L8XX-CD1-U	3248	28	123
White Reflector (RW)	MTO	Standard	4 ft.	4SNLED-LD4-36SL-RW-UNV-L8XX-CD1-U	3618	32	121
White Reflector (RW)	MTO	Standard	4 ft.	4SNLED-LD4-39SL-RW-UNV-L8XX-CD1-U	4007	37	115
White Reflector (RW)	MTO	Standard	4 ft.	4SNLED-LD4-43SL-RW-UNV-L8XX-CD1-U	4369	41	115
White Reflector (RW)	MTO	Standard	4 ft.	4SNLED-LD4-46SL-RW-UNV-L8XX-CD1-U	4728	46	110
White Reflector (RW)	MTO	Standard	4 ft.	4SNLED-LD4-50SL-RW-UNV-L8XX-CD1-U	5071	50	108
White Reflector (RW)	MTO	Standard	4 ft.	4SNLED-LD4-54SL-RW-UNV-L8XX-CD1-U	5409	56	103
White Reflector (RW)	MTO	High	4 ft.	4SNLED-LD4-57HL-RW-UNV-L8XX-CD1-U	5789	51	122

White Reflector (RW)	MTO	Standard	8 ft.	8TSNLED-LD4-57SL-RW-UNV-L8XX-CD1-U	5795	50	124
White Reflector (RW)	MTO	Standard	8 ft.	8TSNLED-LD4-64SL-RW-UNV-L8XX-CD1-U	6497	57	123
White Reflector (RW)	MTO	Standard	8 ft.	8TSNLED-LD4-72SL-RW-UNV-L8XX-CD1-U	7236	65	121
White Reflector (RW)	MTO	Standard	8 ft.	8TSNLED-LD4-79SL-RW-UNV-L8XX-CD1-U	8015	73	116
White Reflector (RW)	MTO	Standard	8 ft.	8TSNLED-LD4-86SL-RW-UNV-L8XX-CD2-U	8738	82	116
White Reflector (RW)	MTO	Standard	8 ft.	8TSNLED-LD4-93SL-RW-UNV-L8XX-CD2-U	9456	91	111
White Reflector (RW)	MTO	Standard	8 ft.	8TSNLED-LD4-101SL-RW-UNV-L8XX-CD2-U	10143	100	109

PHOTOMETRICS

See website for IES/photometric files

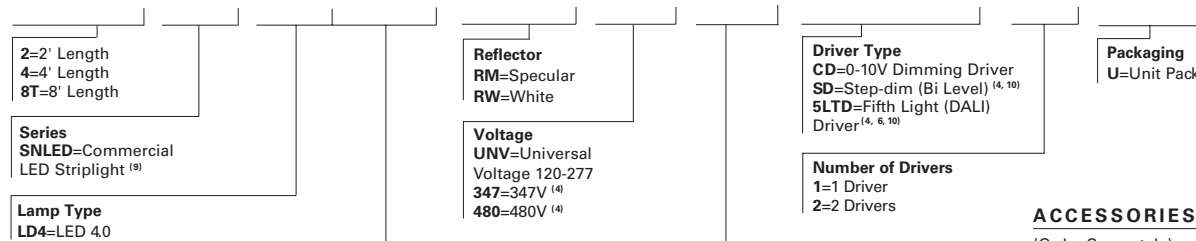
LUMEN MAINTENANCE

Ambient Temperature	TM-21 Lumen Maintenance (12,000 hours)	Theoretical L70 (Hours)
25°C	92.55%	303,000

Max Ambient temp in compliance with UL: 40°C

ORDERING INFORMATION

SAMPLE NUMBER: 4SNLED-LD4-47SL-RM-UNV-L835-CD1-U



LED Lumens Output ⁽²⁾

Miro Reflectors	White Reflectors
19SL=1900 ⁽⁸⁾	18SL=1800 ⁽⁸⁾
23SL=2300 ⁽⁸⁾	21SL=2100 ⁽⁸⁾
27SL=2700 ⁽⁸⁾	25SL=2500 ⁽⁸⁾
31SL=3100	28SL=2800
35SL=3500	32SL=3200
39SL=3900	36SL=3600
42SL=4200	39SL=3900
47SL=4700	43SL=4300
50SL=5000	46SL=4600
54SL=5400	50SL=5000
58SL=5800	54SL=5400
62SL=6200	57SL=5700
62HL=6200 ⁽¹¹⁾	57HL=5700 ⁽¹¹⁾
70SL=7000 ⁽¹¹⁾	64SL=6400 ⁽¹¹⁾
78SL=7800 ⁽¹¹⁾	72SL=7200 ⁽¹¹⁾
85SL=8500	79SL=7900
95SL=9500 ⁽³⁾	86SL=8600 ⁽³⁾
101SL=10,100 ⁽³⁾	93SL=9300 ⁽³⁾
109SL=10,900 ⁽³⁾	101SL=10,100 ⁽³⁾

Reflector
 RM=Specular
 RW=White

Voltage
 UNV=Universal
 Voltage 120-277
 347=347V ⁽⁴⁾
 480=480V ⁽⁴⁾

Driver Type
 CD=0-10V Dimming Driver
 SD=Step-dim (Bi Level) ^(4, 10)
 5LTD=Fifth Light (DALI) Driver ^(4, 6, 10)

Number of Drivers
 1=1 Driver
 2=2 Drivers

Packaging
 U=Unit Pack

Options

Emergency
 EL7W=7-watt, 120V-277V emergency battery pack installed ^(7, 4)
 EL14W=14-watt 120V-277V emergency battery pack installed ^(7, 4)

Wiring
 PI/CPI=Plug-in Option

Motion Sensors
 LB-ERMS360=360° Low Bay Motion Sensor - End of Row
 LB-MRMS360=360° Low Bay Motion Sensor - Middle of Row
 HB-ERMS360=360° High Bay Motion Sensor - End of Row ⁽⁵⁾
 HB-MRMS360=360° High Bay Motion Sensor - Middle of Row ⁽⁵⁾

CCT
 L830=3000K
 L835=3500K
 L840=4000K
 L850=5000K

ACCESSORIES

(Order Separately)
 AYC-Chain/Set=36" Chain Hanger (Use 1 set per fixture)
 SCF=Fixed Stem Set (Specify Length)
 SCS=Swivel Stem Set (Specify Length)
 SCA=Adjustable 48" Stem Set
 EYE CHAIN SET/3FT=Eye Bolt Chain (Use 1 set per fixture)
 A1B/Spacer-U=Spacer 1-1/2" to 2-1/2" from ceiling (Use 2 per fixture)
 TOGGLE=Single Toggle No. 2 (Specify Length)
 Y-TOGGLE=Y Toggle No. 2 (Specify Length)

NOTES: ⁽¹⁾ 4 ft. only. ⁽²⁾ Nominal lumen values. ⁽³⁾ Two drivers required. ⁽⁴⁾ 4 ft. and 8 ft. only. ⁽⁵⁾ Motion Sensor offers dimmability. ⁽⁶⁾ For a complete listing of Fifth Light Technology products and other solutions from Cooper Controls, visit www.coopercontrol.com. ⁽⁷⁾ With integral test switch/indicator/laser test. For approximate delivered lumens multiply the lumens per watt of the desired fixture by the wattage of the emergency battery pack (100 lm/W x 7=700 lumens). IES-format photometry for luminaire under emergency operation available. ⁽⁸⁾ 2 ft. and 4 ft. only. ⁽⁹⁾ DesignLights Consortium® Qualified (all lumen packages). Refer to www.designlights.org Qualified Products List under Family Models for details. ⁽¹⁰⁾ 4200 lumens and above. ⁽¹¹⁾ Step dimming not available.

Specifications & dimensions subject to change without notice. Consult your Eaton Representative for availability and ordering information.



Eaton
 1121 Highway 74 South
 Peachtree City, GA 30269
 P: 770-486-4800
 www.eaton.com/lighting

Specifications and dimensions subject to change without notice.