

DESCRIPTION

The Corelite Z3 LED combines the internally developed Linear LED platform from Cooper Lighting with the high sense of style and superior brightness management that characterizes the CoreLite Class RZ family. The proprietary LED platform delivers a soft, diffuse volume of pure white light that carries the general character of a fluorescent source while simultaneously eliminating unsightly socket shadows and the hassle of luminaire maintenance. A guaranteed system life of 50,000 hrs combined with exceptional efficacy make the Z3 LED the ultimate solution to satisfy the most stringent energy requirements with an ultra-light carbon footprint.

Catalog #		Type
Project		
Comments		Date
Prepared by		

SPECIFICATION FEATURES

A ... Construction

Low profile housing constructed of die formed 20 gauge cold rolled steel with integral 20 gauge gear tray.

B ... Reflector

Precision tooled, high reflectance sheet metal which allows for easy access to ballast compartment from below ceiling plenum.

C ... Shielding

High light transmission frosted prismatic acrylic lens with UV inhibitors minimizes lamp image and ensures efficient light distribution. Lenses secured to housing via injection molded inserts for easy lamp access.

D ... Electrical

Fixture equipped with proprietary Cooper LED modules available in 3000, 3500 or 4000k with a CRI plus or minus 85. Removable module features aluminum extrusion providing exceptional thermal management. Modules are driven using universal voltage switch-mode LED drivers. Fixture and modules certified to UL and CUL standards. A 0-10V dimming control is available (standard).

E ... Finish

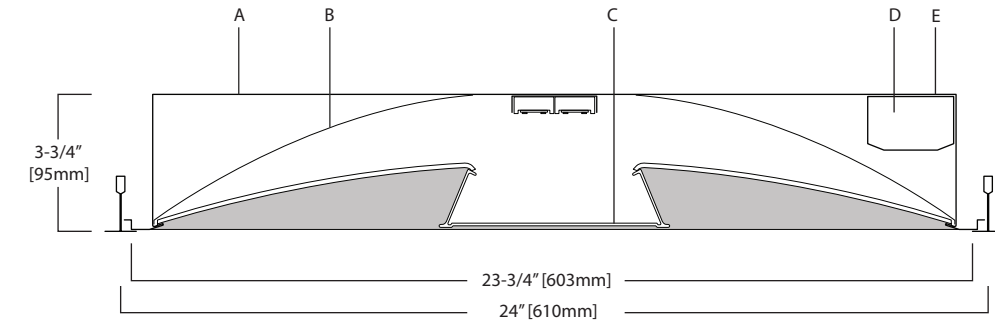
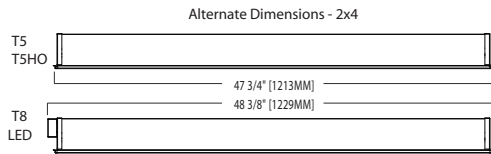
Fixture housings are high reflectance white using electrostatically applied polyester powder coat paint.

Mounting

Standard flange design works with most lay-in ceiling types. Integral pryout tabs secure luminaire to ceiling grid from above. Fixture offers tie-in locations for tie-wire on all corners, consult local code for appropriate tie-wire recommendations.

Note: Concealed Ceiling

Class R may be installed into inaccessible ceilings (sheet rock, wood panel, etc.). This is achieved with the Metalux DFW series drywall frame-in kit, ordered separately from Metalux. Specify CC for the Corelite Ceiling Type. Specify the following part numbers separately, from Metalux: For 2x4, order Metalux part DF-24W-U



CLASS Z3 Linear Prismatic Lens

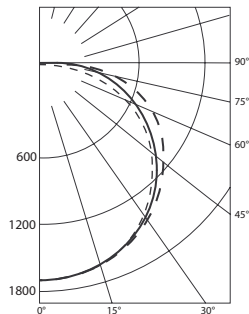
LED
2'x4' Recessed
3-3/4" Depth

ORDERING INFORMATION

Sample Number: Z3-WL-1L30-1C-UNV-24-T1

Series Z3: Class Z3	Shielding L: Linear Prismatic Lens	Color Temperature L30: LED 3000K L35: LED 3500K L40: LED 4000K	Wiring ¹ B: Battery Pack C: Standard Circuit D: Dimming E: Emergency T: Nightlight Y: Daylight	Voltage ¹ 120: 120V 277: 277V 347: 347V UNV: Universal (120V-277V)	Ceiling Type T1: 1" Grid, Slot-Grid, 9/16" Tegular T9: 9/16" Grid CC: Concealed Ceiling	Options ¹ AR: Air Return CP: Chicago Plenum NY: New York City Construction W6: 6' Whip Flex W12: 12' Whip Flex
Reflector W: White	Light Level 1: Light Level 1 2: Light Level 2	Number of Circuits 1: 1 Circuit		Size 24: 2' x 4'		

Notes: 1 Not all options available. Please consult your Cooper Lighting Representative for availability. Specifications and dimensions subject to change without notice.



Z3-WL-2L35-2x4
5011 Lumens
56.2 Watts
89.2 LPW
LED ALM 2.0

Test Report: #P22375

Coefficients of Utilization

		Effective floor cavity reflectance																							
		80%				70%				50%				30%				10%				0%			
rc		70	50	30	10	70	50	30	10	50	30	10	50	30	10	50	30	10	50	30	10	50	30	10	
RCR																									
0	119	119	119	119	116	116	116	116	111	111	111	106	106	106	102	102	102	100							
1	108	103	98	94	105	101	96	93	96	93	90	92	90	87	89	86	84	82							
2	98	89	82	76	95	87	81	75	84	78	73	80	76	71	77	73	70	68							
3	89	78	69	63	86	76	68	62	73	66	61	70	65	60	68	63	59	56							
4	81	69	60	53	79	67	59	52	65	57	52	63	56	51	60	55	50	48							
5	75	61	52	45	72	60	51	45	58	50	44	56	49	44	54	48	43	41							
6	69	55	46	39	67	54	46	39	52	45	39	51	44	38	49	43	38	36							
7	64	50	41	35	62	49	41	35	48	40	34	46	39	34	45	39	34	32							
8	59	46	37	31	58	45	37	31	44	36	31	42	35	30	41	35	30	28							
9	55	42	33	28	54	41	33	28	40	33	28	39	32	27	38	32	27	25							
10	52	39	31	25	51	38	30	25	37	30	25	36	30	25	35	29	25	23							

Zonal Lumen Summary

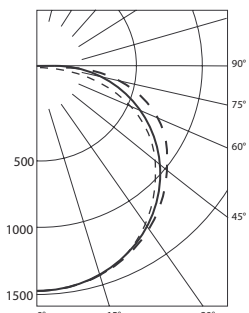
Zone	Lumens	% Lamp	% Fixture
0-30	1306	N.A.	26.1
0-40	2126	N.A.	42.4
0-60	3785	N.A.	75.5
0-90	5011	N.A.	100
40-90	2885	N.A.	57.6
60-90	1226	N.A.	24.5
90-180	0	N.A.	0
0-180	5011	N.A.	100

Luminance Data

Angle in Deg	0-Deg cd/sm	45-Deg cd/sm	90-Deg cd/sm
45	2143	2253	2399
55	1946	2257	2589
65	1714	2307	2771
75	1424	2354	2871
85	1140	2198	2346

Candela

Angle	0-Deg	23-Deg	45-Deg	68-Deg	90-Deg
0	1693	1693	1693	1693	1693
5	1697	1682	1688	1685	1685
10	1674	1659	1666	1662	1662
15	1634	1620	1627	1623	1623
20	1577	1565	1571	1562	1561
25	1503	1493	1496	1485	1486
30	1411	1403	1408	1400	1406
35	1304	1297	1308	1319	1326
40	1183	1181	1210	1233	1248
45	1052	1056	1106	1153	1178
50	914	927	1002	1077	1109
55	775	800	899	994	1031
60	638	677	791	897	933
65	503	552	677	780	813
70	371	431	553	646	672
75	256	317	423	497	516
80	153	211	290	328	325
85	69	110	133	147	142
90	0	0	0	0	0



Z3-WL-1L35-2x4
4316 Lumens
46.1 Watts
93.6 LPW
LED ALM 2.0

Test Report: #P22381

Coefficients of Utilization

		Effective floor cavity reflectance																							
		80%				70%				50%				30%				10%				0%			
rc		70	50	30	10	70	50	30	10	50	30	10	50	30	10	50	30	10	50	30	10	50	30	10	
RCR																									
0	119	119	119	119	116	116	116	116	111	111	111	106	106	106	102	102	102	100							
1	108	103	98	94	105	101	96	93	96	93	90	92	90	87	89	87	84	82							
2	98	89	82	76	95	87	81	75	84	78	73	80	76	72	77	73	70	68							
3	89	78	69	63	86	76	68	62	73	67	61	71	65	60	68	63	59	57							
4	81	69	60	53	79	68	59	52	65	58	52	63	56	51	60	55	50	48							
5	75	61	52	45	73	60	52	45	58	50	45	56	49	44	54	48	44	41							
6	69	55	46	40	67	54	46	39	52	45	39	51	44	39	49	43	38	36							
7	64	50	41	35	62	49	41	35	48	40	34	46	39	34	45	39	34	32							
8	59	46	37	31	58	45	37	31	44	36	31	42	36	31	41	35	30	28							
9	56	42	34	28	54	41	33	28	40	33	28	39	32	28	38	32	27	25							
10	52	39	31	25	51	38	30	25	37	30	25	36	30	25	35	29	25	23							

Zonal Lumen Summary

Zone	Lumens	% Lamp	% Fixture
0-30	1129	N.A.	26.2
0-40	1838	N.A.	42.6
0-60	3269	N.A.	75.7
0-90	4316	N.A.	100
40-90	2479	N.A.	57.4
60-90	1048	N.A.	24.3
90-180	0	N.A.	0
0-180	4316	N.A.	100

Luminance Data

Angle in Deg	0-Deg cd/sm	45-Deg cd/sm	90-Deg cd/sm
45	1853	1947	2069
55	1680	1941	2222
65	1482	1973	2362
75	1230	1998	2454
85	991	1884	1999

Candela

Angle	0-Deg	23-Deg	45-Deg	68-Deg	90-Deg
0	1463	1463	1463	1463	1463
5	1466	1453	1459	1456	1456
10	1447	1434	1440	1436	1437
15	1412	1400	1407	1404	1403
20	1363	1353	1358	1350	1351
25	1298	1290	1294	1285	1284
30	1220	1213	1218	1212	1217
35	1126	1121	1131	1141	1147
40	1022	1021	1046	1066	1078
45	910	913	956	996	1016
50	790	802	865	928	955
55	669	691	773	855	885
60	549	584	678	768	798
65	435	475	579	665	693
70	323	371	472	549	573
75	221	273	359	423	441
80	132	180	246	280	272
85	60	94	114	124	121
90	0	0	0	0	0