

DESCRIPTION

The Corelite Z3 LED combines the internally developed Linear LED platform from Cooper Lighting with the high sense of style and superior brightness management that characterizes the CoreLite Class RZ family. The proprietary LED platform delivers a soft, diffuse volume of pure white light that carries the general character of a fluorescent source while simultaneously eliminating unsightly socket shadows and the hassle of luminaire maintenance. A guaranteed system life of 50,000 hrs combined with exceptional efficacy make the Z3 LED the ultimate solution to satisfy the most stringent energy requirements with an ultra-light carbon footprint.

Catalog #		Type
Project		
Comments		Date
Prepared by		

SPECIFICATION FEATURES

A ... Construction

Low profile housing constructed of die formed 20 gauge cold rolled steel with integral 20 gauge gear tray.

B ... Reflector

Precision tooled, high reflectance sheet metal which allows for easy access to ballast compartment from below ceiling plenum.

C ... Shielding

High light transmission frosted prismatic acrylic lens with UV inhibitors minimizes lamp image and ensures efficient light distribution. Lenses secured to housing via injection molded inserts for easy lamp access.

D ... Electrical

Fixture equipped with proprietary Cooper LED modules available in 3000, 3500 or 4000k with a CRI plus or minus 85. Removable module features aluminum extrusion providing exceptional thermal management. Modules are driven using universal voltage switch-mode LED drivers. Fixture and modules certified to UL and CUL standards. A 0-10V dimming control is available (standard).

E ... Finish

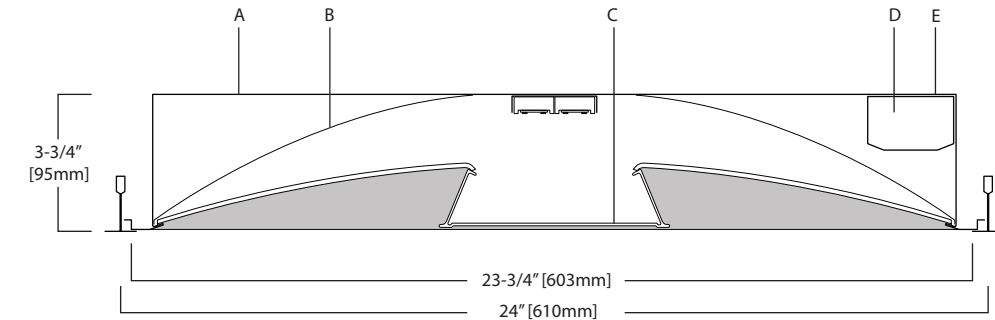
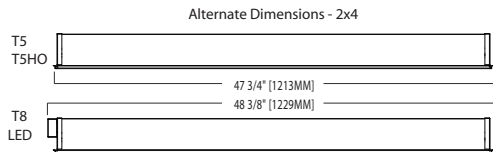
Fixture housings are high reflectance white using electrostatically applied polyester powder coat paint.

Mounting

Standard flange design works with most lay-in ceiling types. Integral pryout tabs secure luminaire to ceiling grid from above. Fixture offers tie-in locations for tie-wire on all corners, consult local code for appropriate tie-wire recommendations.

Note: Concealed Ceiling

Class R may be installed into inaccessible ceilings (sheet rock, wood panel, etc.). This is achieved with the Metalux DFW series drywall frame-in kit, ordered separately from Metalux. Specify CC for the Corelite Ceiling Type. Specify the following part numbers separately, from Metalux: For 2x4, order Metalux part DF-24W-U



CLASS Z3 Rectangular Perf Lens

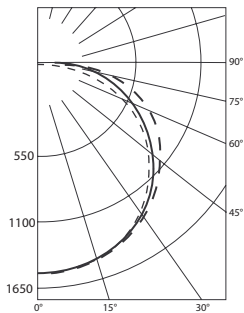
LED
2'x4' Recessed
3-3/4" Depth

ORDERING INFORMATION

Sample Number: Z3-WG-1L30-1C-UNV-24-T1

Series Z3: Class Z3	Shielding G: Rectangular Perf Inlay	Color Temperature L30: LED 3000K L35: LED 3500K L40: LED 4000K	Wiring ¹ B: Battery Pack C: Standard Circuit D: Dimming E: Emergency T: Nightlight Y: Daylight	Voltage ¹ 120: 120V 277: 277V 347: 347V UNV: Universal (120V-277V)	Ceiling Type T1: 1" Grid, Slot-Grid, 9/16" Tegular T9: 9/16" Grid CC: Concealed Ceiling	Options ¹ AR: Air Return CP: Chicago Plenum NY: New York City Construction W6: 6' Whip Flex W12: 12' Whip Flex
Reflector W: White	Light Level 1: Light Level 1 2: Light Level 2	Number of Circuits 1: 1 Circuit		Size 24: 2' x 4'		

Notes: 1 Not all options available. Please consult your Cooper Lighting Representative for availability. Specifications and dimensions subject to change without notice.



Z3-WD-2L35-2x4
4717 Lumens
56.1 Watts
84.1 LPW
LED ALM 2.0

Test Report: #P22377

Coefficients of Utilization

rc	Effective floor cavity reflectance																							
	80%				70%				50%				30%				10%				0%			
	rw	70	50	30	10	70	50	30	10	50	30	10	50	30	10	50	30	10	50	30	10	0		
RCR	0	119	119	119	119	116	116	116	116	111	111	111	106	106	106	102	102	102	100	100	100	100		
	1	108	103	98	94	105	101	96	93	96	93	90	92	89	87	89	86	84	82	82	82	82		
	2	98	89	82	76	95	87	80	75	83	78	73	80	75	71	77	73	70	67	67	67	67		
	3	89	78	69	62	86	76	68	62	73	66	60	70	64	59	68	63	58	56	56	56	56		
	4	81	68	59	52	79	67	58	52	64	57	51	62	56	50	60	54	50	47	47	47	47		
	5	74	61	52	45	72	60	51	44	58	50	44	56	49	43	54	48	43	41	41	41	41		
	6	68	55	45	39	66	54	45	39	52	44	38	50	43	38	49	42	38	35	35	35	35		
	7	63	49	40	34	62	49	40	34	47	39	34	46	39	33	44	38	33	31	31	31	31		
	8	59	45	36	30	57	44	36	30	43	35	30	42	35	30	41	34	30	28	28	28	28		
	9	55	41	33	27	54	41	33	27	40	32	27	38	32	27	37	31	27	25	25	25	25		
	10	52	38	30	25	50	38	30	25	37	29	24	36	29	24	35	29	24	22	22	22	22		

Zonal Lumen Summary

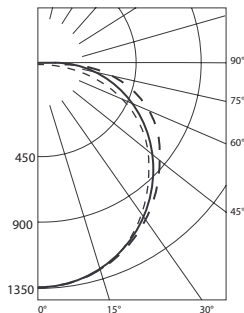
Zone	Lumens	% Lamp	% Fixture
0-30	1189	N.A.	25.2
0-40	1948	N.A.	41.3
0-60	3543	N.A.	75.1
0-90	4717	N.A.	100
40-90	2769	N.A.	58.7
60-90	1174	N.A.	24.9
90-180	0	N.A.	0
0-180	4717	N.A.	100

Luminance Data

Angle in Deg	0-Deg cd/sm	45-Deg cd/sm	90-Deg cd/sm
45	1965	2147	2326
55	1833	2197	2569
65	1622	2253	2771
75	1235	2226	2877
85	744	1917	1966

Candela

Angle	0-Deg	23-Deg	45-Deg	68-Deg	90-Deg
0	1540	1540	1540	1540	1540
5	1540	1530	1534	1532	1532
10	1516	1507	1512	1511	1512
15	1477	1468	1476	1477	1478
20	1423	1417	1426	1426	1427
25	1354	1351	1363	1365	1368
30	1272	1273	1291	1302	1308
35	1178	1185	1214	1237	1249
40	1078	1089	1135	1174	1194
45	965	988	1054	1113	1142
50	851	883	967	1051	1089
55	730	773	875	980	1023
60	604	657	774	888	932
65	476	536	661	774	813
70	346	412	534	635	671
75	222	292	400	487	517
80	118	185	270	317	310
85	45	92	116	123	119
90	0	0	0	0	0



Z3-WD-1L35-2x4
4063 Lumens
46.1 Watts
88.1 LPW
LED ALM 2.0

Test Report: #P22383

Coefficients of Utilization

rc	Effective floor cavity reflectance																							
	80%				70%				50%				30%				10%				0%			
	rw	70	50	30	10	70	50	30	10	50	30	10	50	30	10	50	30	10	50	30	10	0		
RCR	0	119	119	119	119	116	116	116	116	111	111	111	106	106	106	102	102	102	100	100	100	100		
	1	108	103	98	94	105	101	96	93	96	93	90	92	89	87	89	86	84	82	82	82	82		
	2	98	89	82	76	95	87	80	75	83	78	73	80	75	71	77	73	70	67	67	67	67		
	3	89	78	69	62	86	76	68	62	73	66	60	70	64	59	68	63	58	56	56	56	56		
	4	81	68	59	52	79	67	58	52	64	57	51	62	56	50	60	54	50	47	47	47	47		
	5	74	61	52	45	72	60	51	44	58	50	44	56	49	43	54	48	43	41	41	41	41		
	6	68	55	45	39	66	54	45	39	52	44	38	50	43	38	49	42	38	35	35	35	35		
	7	63	49	40	34	62	49	40	34	47	39	34	46	39	33	44	38	33	31	31	31	31		
	8	59	45	36	30	57	44	36	30	43	35	30	42	35	30	41	34	30	28	28	28	28		
	9	55	41	33	27	54	41	33	27	40	32	27	38	32	27	37	31	27	25	25	25	25		
	10	52	38	30	25	50	38	30	25	37	29	24	36	29	24	35	29	24	22	22	22	22		

Zonal Lumen Summary

Zone	Lumens	% Lamp	% Fixture
0-30	1028	N.A.	25.3
0-40	1685	N.A.	41.5
0-60	3060	N.A.	75.3
0-90	4063	N.A.	100
40-90	2378	N.A.	58.5
60-90	1003	N.A.	24.7
90-180	0	N.A.	0
0-180	4063	N.A.	100

Luminance Data

Angle in Deg	0-Deg cd/sm	45-Deg cd/sm	90-Deg cd/sm
45	1705	1853	2002
55	1584	1888	2195
65	1401	1929	2372
75	1068	1892	2454
85	661	1619	1652

Candela

Angle	0-Deg	23-Deg	45-Deg	68-Deg	90-Deg
0	1332	1332	1332	1332	1332
5	1333	1324	1328	1326	1325
10	1312	1303	1309	1308	1308
15	1278	1270	1278	1278	1277
20	1232	1225	1234	1233	1234
25	1172	1169	1179	1180	1182
30	1102	1101	1117	1126	1133
35	1020	1024	1050	1070	1081
40	932	942	982	1015	1031
45	837	855	910	961	983
50	735	764	834	903	935
55	631	669	752	840	874
60	523	568	663	760	795
65	411	462	566	660	696
70	299	354	456	543	575
75	192	251	340	417	441
80	103	157	228	271	264
85	40	77	98	105	100
90	0	0	0	0	0