

## DESCRIPTION

The Corelite R3 LED combines the internally developed Linear LED platform from Cooper Lighting with the high sense of style and superior brightness management that characterizes the CoreLite Class R family. The proprietary LED platform delivers a soft, diffuse volume of pure white light that carries the general character of a fluorescent source while simultaneously eliminating unsightly socket shadows and the hassle of luminaire maintenance. A guaranteed system life of 50,000 hrs combined with exceptional efficacy make the R3 LED the ultimate solution to satisfy the most stringent energy requirements with an ultra-light carbon footprint.

|             |  |      |
|-------------|--|------|
| Catalog #   |  | Type |
| Project     |  |      |
| Comments    |  | Date |
| Prepared by |  |      |

## SPECIFICATION FEATURES

### A ... Construction

Low profile housing constructed of die formed 20 gauge cold rolled steel with integral 20 gauge gear tray.

### B ... Reflector

Precision tooled, high reflectance sheet metal which allows for easy access to ballast compartment from below ceiling plenum.

### C ... Shielding

High light transmission frosted prismatic acrylic lens with UV inhibitors minimizes lamp image and ensures efficient light distribution. Lenses secured to housing via injection molded inserts for easy lamp access.

### D ... Electrical

Fixture equipped with proprietary Cooper LED modules available in 3000, 3500 or 4000k with a CRI plus or minus 85. Removable module features aluminum extrusion providing exceptional thermal management. Modules are driven using universal voltage switch mode LED drivers. Fixture and modules certified to UL and CUL standards. A 0 to 10V dimming control is available (standard).

### E ... Finish

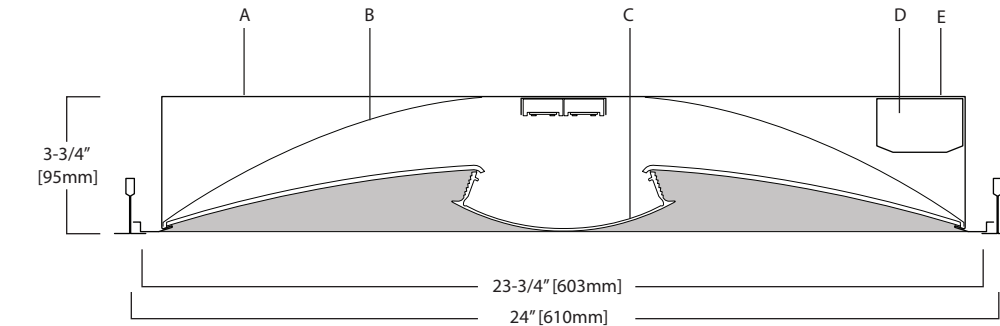
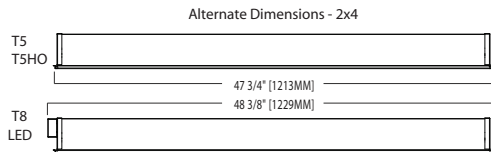
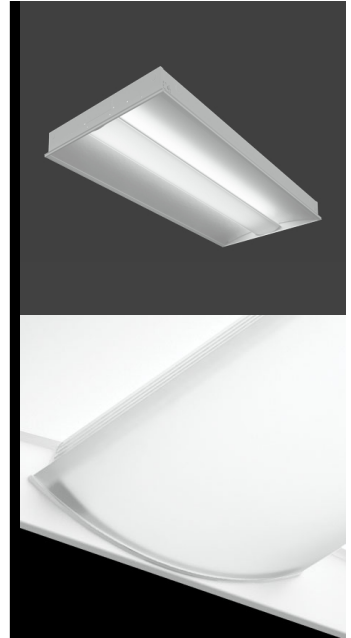
Fixture housings are high reflectance white using electrostatically applied polyester powder coat paint.

### Mounting

Standard flange design works with most lay in ceiling types. Integral pryout tabs secure luminaire to ceiling grid from above. Fixture offers tie in locations for tie wire on all corners, consult local code for appropriate tie wire recommendations.

### Note: Concealed Ceiling

Class R may be installed into inaccessible ceilings (sheet rock, wood panel, etc.). This is achieved with the Metalux DFW series drywall frame-in kit, ordered separately from Metalux. Specify CC for the Corelite Ceiling Type. Specify the following part numbers separately, from Metalux: For 1x2, order Metalux part DF-12W-U.



## CLASS R3 Nano Prism Lens

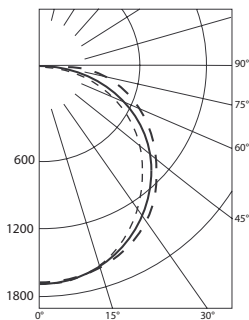
LED  
**2'x4' Recessed**  
3-3/4" Depth

## ORDERING INFORMATION

Sample Number: R3-WN-1L30-1C-UNV-24-T1

|                               |  |  |  |  |   |   |
|-------------------------------|--|--|--|--|---|---|
| <b>Series</b><br>R3: Class R3 | <b>Shielding</b><br>N: Nano Prism Lens                     | <b>Color Temperature</b><br>L30: LED 3000K<br>L35: LED 3500K<br>L40: LED 4000K | <b>Wiring</b> <sup>1</sup><br>B: Battery Pack<br>C: Standard Circuit<br>D: Dimming<br>E: Emergency<br>T: Nightlight<br>Y: Daylight | <b>Voltage</b> <sup>1</sup><br>120: 120V<br>277: 277V<br>347: 347V<br>UNV: Universal (120V-277V) | <b>Ceiling Type</b><br>T1: 1" Grid, Slot-Grid, 9/16" Tegular<br>T9: 9/16" Grid<br>CC: Concealed Ceiling | <b>Options</b> <sup>1</sup><br>AR: Air Return<br>CP: Chicago Plenum<br>NY: New York City Construction<br>W6: 6' Whip Flex<br>W12: 12' Whip Flex |
| <b>Reflector</b><br>W: White  | <b>Light Level</b><br>1: Light Level 1<br>2: Light Level 2 | <b>Number of Circuits</b><br>1: 1 Circuit                                      |  | <b>Size</b><br>24: 2' x 4'   |   |   |

Notes: 1 Not all options available. Please consult your Cooper Lighting Representative for availability. Specifications and dimensions subject to change without notice.



R3-WN-2L35-2x4  
4973 Lumens  
56.1 Watts  
88.6 LPW  
LED ALM 2.0

Test Report: #P22373

**Coefficients of Utilization**

| rc | Effective floor cavity reflectance |     |     |     |     |     |     |     |     |     |     |     |     |     |     |     |     |     |     |     |     |     |     |
|----|------------------------------------|-----|-----|-----|-----|-----|-----|-----|-----|-----|-----|-----|-----|-----|-----|-----|-----|-----|-----|-----|-----|-----|-----|
|    | 80%                                |     |     |     | 70% |     |     |     | 50% |     |     |     | 30% |     |     |     | 10% |     |     |     | 0%  |     |     |
| rw | 70                                 | 50  | 30  | 10  | 70  | 50  | 30  | 10  | 50  | 30  | 10  | 50  | 30  | 10  | 50  | 30  | 10  | 50  | 30  | 10  | 50  | 30  | 10  |
| 0  | 119                                | 119 | 119 | 119 | 116 | 116 | 116 | 116 | 111 | 111 | 111 | 106 | 106 | 106 | 102 | 102 | 102 | 100 | 100 | 100 | 100 | 100 | 100 |
| 1  | 108                                | 103 | 99  | 95  | 105 | 101 | 97  | 93  | 97  | 93  | 90  | 93  | 90  | 87  | 89  | 87  | 85  | 83  | 83  | 83  | 83  | 83  | 83  |
| 2  | 98                                 | 90  | 83  | 77  | 95  | 88  | 81  | 76  | 84  | 79  | 74  | 81  | 76  | 72  | 78  | 74  | 71  | 68  | 68  | 68  | 68  | 68  | 68  |
| 3  | 89                                 | 78  | 70  | 63  | 87  | 77  | 69  | 63  | 74  | 67  | 62  | 71  | 65  | 61  | 68  | 64  | 60  | 57  | 57  | 57  | 57  | 57  | 57  |
| 4  | 82                                 | 69  | 60  | 54  | 79  | 68  | 60  | 53  | 66  | 58  | 52  | 63  | 57  | 52  | 61  | 55  | 51  | 49  | 49  | 49  | 49  | 49  | 49  |
| 5  | 75                                 | 62  | 53  | 46  | 73  | 61  | 52  | 46  | 59  | 51  | 45  | 57  | 50  | 45  | 55  | 49  | 44  | 42  | 42  | 42  | 42  | 42  | 42  |
| 6  | 69                                 | 56  | 47  | 40  | 67  | 55  | 46  | 40  | 53  | 45  | 40  | 51  | 44  | 39  | 50  | 44  | 39  | 37  | 37  | 37  | 37  | 37  | 37  |
| 7  | 64                                 | 50  | 42  | 35  | 62  | 50  | 41  | 35  | 48  | 40  | 35  | 47  | 40  | 35  | 45  | 39  | 34  | 32  | 32  | 32  | 32  | 32  | 32  |
| 8  | 60                                 | 46  | 37  | 31  | 58  | 45  | 37  | 31  | 44  | 37  | 31  | 43  | 36  | 31  | 42  | 35  | 31  | 29  | 29  | 29  | 29  | 29  | 29  |
| 9  | 56                                 | 42  | 34  | 28  | 54  | 42  | 34  | 28  | 40  | 33  | 28  | 39  | 33  | 28  | 38  | 32  | 28  | 26  | 26  | 26  | 26  | 26  | 26  |
| 10 | 52                                 | 39  | 31  | 26  | 51  | 38  | 31  | 26  | 37  | 30  | 25  | 36  | 30  | 25  | 36  | 30  | 25  | 23  | 23  | 23  | 23  | 23  | 23  |

**Zonal Lumen Summary**

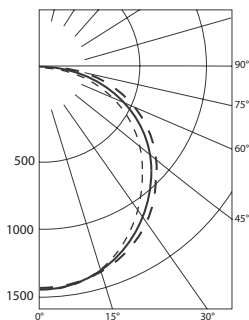
| Zone   | Lumens | % Lamp | % Fixture |
|--------|--------|--------|-----------|
| 0-30   | 1324   | N.A.   | 26.6      |
| 0-40   | 2161   | N.A.   | 43.4      |
| 0-60   | 3829   | N.A.   | 77        |
| 0-90   | 4973   | N.A.   | 100       |
| 40-90  | 2812   | N.A.   | 56.6      |
| 60-90  | 1144   | N.A.   | 23        |
| 90-180 | 0      | N.A.   | 0         |
| 0-180  | 4973   | N.A.   | 100       |

**Luminance Data**

| Angle in Deg | 0-Deg cd/sm | 45-Deg cd/sm | 90-Deg cd/sm |
|--------------|-------------|--------------|--------------|
| 45           | 2173        | 2306         | 2418         |
| 55           | 1996        | 2257         | 2468         |
| 65           | 1731        | 2178         | 2515         |
| 75           | 1285        | 2098         | 2882         |
| 85           | 694         | 1801         | 2066         |

**Candela**

| Angle | 0-Deg | 23-Deg | 45-Deg | 68-Deg | 90-Deg |
|-------|-------|--------|--------|--------|--------|
| 0     | 1708  | 1708   | 1708   | 1708   | 1708   |
| 5     | 1710  | 1696   | 1704   | 1701   | 1701   |
| 10    | 1685  | 1672   | 1682   | 1681   | 1682   |
| 15    | 1641  | 1631   | 1645   | 1648   | 1650   |
| 20    | 1581  | 1574   | 1592   | 1594   | 1597   |
| 25    | 1504  | 1502   | 1523   | 1525   | 1529   |
| 30    | 1411  | 1415   | 1439   | 1445   | 1449   |
| 35    | 1308  | 1314   | 1343   | 1355   | 1364   |
| 40    | 1192  | 1203   | 1240   | 1265   | 1279   |
| 45    | 1067  | 1083   | 1132   | 1172   | 1187   |
| 50    | 934   | 956    | 1020   | 1071   | 1092   |
| 55    | 795   | 822    | 899    | 960    | 983    |
| 60    | 653   | 687    | 773    | 841    | 864    |
| 65    | 508   | 549    | 639    | 715    | 738    |
| 70    | 365   | 411    | 505    | 591    | 625    |
| 75    | 231   | 282    | 377    | 475    | 518    |
| 80    | 119   | 170    | 254    | 341    | 364    |
| 85    | 42    | 78     | 109    | 120    | 125    |
| 90    | 0     | 0      | 0      | 0      | 0      |



R3-WN-1L35-2x4  
4307 Lumens  
46 Watts  
93.6 LPW  
LED ALM 2.0

Test Report: #P22379

**Coefficients of Utilization**

| rc | Effective floor cavity reflectance |     |     |     |     |     |     |     |     |     |     |     |     |     |     |     |     |     |     |     |     |     |     |
|----|------------------------------------|-----|-----|-----|-----|-----|-----|-----|-----|-----|-----|-----|-----|-----|-----|-----|-----|-----|-----|-----|-----|-----|-----|
|    | 80%                                |     |     |     | 70% |     |     |     | 50% |     |     |     | 30% |     |     |     | 10% |     |     |     | 0%  |     |     |
| rw | 70                                 | 50  | 30  | 10  | 70  | 50  | 30  | 10  | 50  | 30  | 10  | 50  | 30  | 10  | 50  | 30  | 10  | 50  | 30  | 10  | 50  | 30  | 10  |
| 0  | 119                                | 119 | 119 | 119 | 116 | 116 | 116 | 116 | 111 | 111 | 111 | 106 | 106 | 106 | 102 | 102 | 102 | 100 | 100 | 100 | 100 | 100 | 100 |
| 1  | 108                                | 103 | 99  | 95  | 105 | 101 | 97  | 93  | 97  | 93  | 90  | 93  | 90  | 87  | 89  | 87  | 85  | 83  | 83  | 83  | 83  | 83  | 83  |
| 2  | 98                                 | 90  | 83  | 77  | 95  | 88  | 81  | 76  | 84  | 79  | 74  | 81  | 76  | 72  | 78  | 74  | 71  | 68  | 68  | 68  | 68  | 68  | 68  |
| 3  | 89                                 | 78  | 70  | 63  | 87  | 77  | 69  | 63  | 74  | 67  | 62  | 71  | 65  | 61  | 68  | 64  | 60  | 57  | 57  | 57  | 57  | 57  | 57  |
| 4  | 82                                 | 69  | 60  | 54  | 79  | 68  | 60  | 53  | 66  | 58  | 52  | 63  | 57  | 52  | 61  | 55  | 51  | 49  | 49  | 49  | 49  | 49  | 49  |
| 5  | 75                                 | 62  | 53  | 46  | 73  | 61  | 52  | 46  | 59  | 51  | 45  | 57  | 50  | 45  | 55  | 49  | 44  | 42  | 42  | 42  | 42  | 42  | 42  |
| 6  | 69                                 | 56  | 47  | 40  | 67  | 55  | 46  | 40  | 53  | 45  | 40  | 51  | 44  | 39  | 50  | 44  | 39  | 37  | 37  | 37  | 37  | 37  | 37  |
| 7  | 64                                 | 50  | 42  | 35  | 62  | 50  | 41  | 35  | 48  | 40  | 35  | 47  | 40  | 35  | 45  | 39  | 34  | 32  | 32  | 32  | 32  | 32  | 32  |
| 8  | 60                                 | 46  | 37  | 31  | 58  | 45  | 37  | 31  | 44  | 37  | 31  | 43  | 36  | 31  | 42  | 35  | 31  | 29  | 29  | 29  | 29  | 29  | 29  |
| 9  | 56                                 | 42  | 34  | 28  | 54  | 42  | 34  | 28  | 40  | 33  | 28  | 39  | 33  | 28  | 38  | 32  | 28  | 26  | 26  | 26  | 26  | 26  | 26  |
| 10 | 52                                 | 39  | 31  | 26  | 51  | 38  | 31  | 26  | 37  | 30  | 25  | 36  | 30  | 25  | 36  | 30  | 25  | 23  | 23  | 23  | 23  | 23  | 23  |

**Zonal Lumen Summary**

| Zone   | Lumens | % Lamp | % Fixture |
|--------|--------|--------|-----------|
| 0-30   | 1145   | N.A.   | 26.6      |
| 0-40   | 1868   | N.A.   | 43.4      |
| 0-60   | 3311   | N.A.   | 76.9      |
| 0-90   | 4307   | N.A.   | 100       |
| 40-90  | 2438   | N.A.   | 56.6      |
| 60-90  | 996    | N.A.   | 23.1      |
| 90-180 | 0      | N.A.   | 0         |
| 0-180  | 4307   | N.A.   | 100       |

**Luminance Data**

| Angle in Deg | 0-Deg cd/sm | 45-Deg cd/sm | 90-Deg cd/sm |
|--------------|-------------|--------------|--------------|
| 45           | 1880        | 1992         | 2090         |
| 55           | 1725        | 1953         | 2144         |
| 65           | 1496        | 1888         | 2205         |
| 75           | 1107        | 1831         | 2526         |
| 85           | 611         | 1586         | 1801         |

**Candela**

| Angle | 0-Deg | 23-Deg | 45-Deg | 68-Deg | 90-Deg |
|-------|-------|--------|--------|--------|--------|
| 0     | 1476  | 1476   | 1476   | 1476   | 1476   |
| 5     | 1479  | 1467   | 1474   | 1471   | 1471   |
| 10    | 1456  | 1445   | 1454   | 1453   | 1454   |
| 15    | 1418  | 1410   | 1423   | 1424   | 1426   |
| 20    | 1368  | 1362   | 1377   | 1377   | 1380   |
| 25    | 1302  | 1301   | 1317   | 1318   | 1322   |
| 30    | 1222  | 1224   | 1244   | 1249   | 1253   |
| 35    | 1131  | 1137   | 1161   | 1171   | 1179   |
| 40    | 1030  | 1040   | 1072   | 1093   | 1105   |
| 45    | 923   | 936    | 978    | 1012   | 1026   |
| 50    | 807   | 825    | 881    | 925    | 946    |
| 55    | 687   | 710    | 778    | 833    | 854    |
| 60    | 563   | 593    | 668    | 731    | 753    |
| 65    | 439   | 474    | 554    | 623    | 647    |
| 70    | 315   | 356    | 441    | 518    | 550    |
| 75    | 199   | 245    | 329    | 416    | 454    |
| 80    | 105   | 148    | 225    | 297    | 314    |
| 85    | 37    | 69     | 96     | 105    | 109    |
| 90    | 0     | 0      | 0      | 0      | 0      |