

DESCRIPTION

The ArcLine 1' x 1' Series features a deep para-contoured fixture housing, high reflectivity and optimum lamp to lens spacing. The series produces total uniformity of light in the luminous area and is compatible with all of today's popular ceiling systems and is available with a number of options and accessories for application versatility.

The specification luminaire is designed to offer maximum efficiency and performance for today's unique interior specifications. The ArcLine Series is an excellent choice for commercial office spaces, schools, hospitals or retail merchandising areas.

Catalog #		Type
Project		
Comments		Date
Prepared by		

SPECIFICATION FEATURES

Construction

Nominal 7" deep housing, die formed code gauge, prime cold rolled steel. Formed housing stiffeners for added strength. Captive lampholder brackets. Fully enclosed lampholder wiring permits easy lamp replacement. Dual purpose, contoured reflectors for each lamp combination provides optimum lighting distribution and conceals wiring and ballast compartments. Snap-in access plate is located on back of housing for wiring convenience. End plates, securely attached with tabs and screws. Heavy duty adjustable mounting brackets are preset at the factory and allow use of 1/2" EMT conduit, lathing channels or bar hangers for installation.

Controls

The ArcLine LED is equipped standard with a 0-10V continuous dimming driver that works with any standard 0-10V control/dimmer. Combine with energy-saving products like occupancy sensors, daylighting controls, and lighting relay panels from Cooper Controls (www.coopercontrol.com) to maximize energy savings.

Electrical*

Long-Life LED system coupled with electrical driver to deliver optimal performance. LED's available in 3000k, 3500k or 4000k with a CRI ≥ 85. Projected life is 50,000 hours at 70% lumen output. cULus listed. Electronic drivers are available for 120-277V applications.

Finish

Painted after fabrication. Multistage, iron phosphate pretreatment ensures maximum bonding and rust inhibitor. Lighting grade, baked white finish.

Reflector Finish

Internal reflector surface, electrostatically applied baked white polyester powder finish. Multistage cleaning cycle, iron phosphate coating with rust inhibitor. Conveyorized application and baking time accurately controlled at an elevated temperature.

Frame/Shielding

True cut mitered corners, integrated light seal around entire perimeter of lens. Lens retained by torsion springs and can be easily removed. Lens trim is attractively styled with mitered aluminum corners and is available with white (standard) finish.

Compliance

Modules are UL recognized components and indoor luminaires are cULus listed for 25°C ambient environments, RoHS compliant, and LED modules comply with IESNA LM-79 and LM-80 standards.

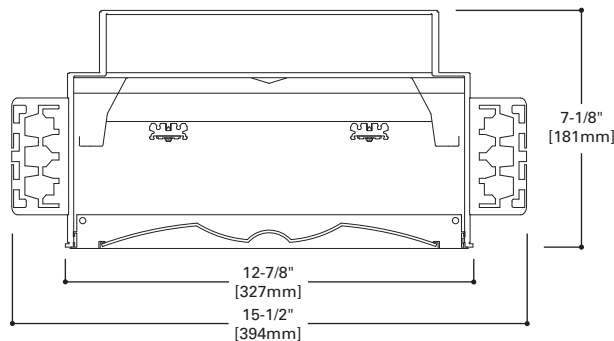


**ALN
LED**

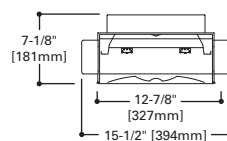
**1' X 1' COMPACT TROFFER
LED LAMP**

Specification Troffer

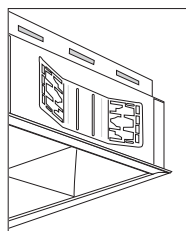
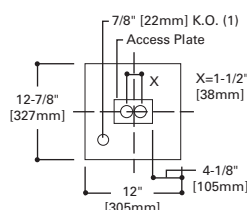
ArcLine



LAMP CONFIGURATIONS



MOUNTING DATA



Hanging Brackets
Heavy duty adjustable mounting brackets

Trim
Attractively styled mitered aluminum fixture trim. (White Finish standard)

ENERGY DATA

Input Watts:
13=25W

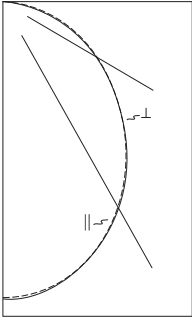
*Reference the lamp/ballast data in the Technical Section for specific lamp/ballast requirements.

LINEAR DISCONNECT

Safe and convenient means of disconnecting power.



PHOTOMETRICS

**ALN-LD1-13-UNV-
L835-CD1-U**

Dimming Driver
Linear LED 3500K

Spacing criterion:
(H) 1.2 x mounting
height, (L) 1.2 x
mounting height

Efficiency 100%

Lumens: 1366

Input Watts: 25.3W

Efficacy: 54 LPW

Test Report:
ALN-LD1-13-UNV-
L835-CD1-U

Coefficients of Utilization

rc	Effective floor cavity reflectance																	
	80%				70%				20%									
rw	70	50	30	10	70	50	30	10	50	30	10	50	30	10	50	30	10	0%
RCR																		
0	119	119	119	119	116	116	116	116	111	111	111	106	106	106	102	102	102	100
1	109	104	100	96	106	102	98	94	98	94	91	94	91	89	90	88	86	84
2	99	91	84	79	97	89	83	78	86	80	76	82	78	74	79	76	72	70
3	91	80	72	66	88	79	71	65	76	69	64	73	67	63	70	66	62	60
4	83	71	63	56	81	70	62	56	67	60	55	65	59	54	63	58	53	51
5	77	64	55	48	74	63	54	48	61	53	48	59	52	47	57	51	47	44
6	71	58	49	42	69	57	48	42	55	47	42	53	47	42	52	46	41	39
7	66	52	44	38	64	52	43	38	50	43	37	49	42	37	47	41	37	35
8	61	48	40	34	60	47	39	34	46	39	33	45	38	33	44	37	33	31
9	57	44	36	30	56	43	36	30	42	35	30	41	35	30	40	34	30	28
10	54	41	33	28	53	40	33	28	39	32	28	38	32	27	37	32	27	26

Zonal Lumen Summary

Zone	Lumens	%Fixture
0-30	404	29.6
0-40	645	47.2
0-60	1090	79.7
0-90	1366	100.0
0-180	1366	100.0

Luminance Data

Angle in Deg	Average 0-Deg cd/sm	Average 45-Deg cd/sm	Average 90-Deg cd/sm
45	7263	7286	7286
55	6650	6766	6795
65	6056	6294	6135
75	5558	5688	5623
85	5566	5182	4606

Candela

Angle	Along H	45°	Across L
0	539	539	539
5	536	536	535
10	525	525	524
15	510	510	511
20	486	487	486
25	455	457	456
30	421	422	422
35	384	385	385
40	346	347	348
45	307	308	308
50	268	270	269
55	228	232	233
60	190	193	192
65	153	159	155
70	118	122	124
75	86	88	87
80	56	56	54
85	29	27	24
90	0	0	0

ORDERING INFORMATION

SAMPLE NUMBER: ALN-LD1-13-UNV-L835-CD1-U

Series ALN=ArcLine Series	LED Lumens Output 13=1300 Lumens	Voltage⁽¹⁾ UNV=Universal Voltage 120-277	Driver Type CD=0-10V Dimming Driver	Packaging U=Unit Pack PALC=Job Pack, in carton
	Shielding Blank=Smooth Frosted Acrylic (standard)	Lamps L830=3000K L835=3500K L840=4000K	Number of Drivers 1=1 Driver	

NOTES: ⁽¹⁾ Products also available in non-US voltages and frequencies for international markets.

For complete product data, reference the Fluorescent Specification binder. Specifications & dimensions subject to change without notice. Consult your Cooper Lighting Representative for availability and ordering information.

SHIPPING INFORMATION

Catalog No.	Wt.
ALN-LD1-13	8 lbs.