

DESCRIPTION

The Corelite R3 LED combines the internally developed Linear LED platform from Cooper Lighting with the high sense of style and superior brightness management that characterizes the CoreLite Class R family. The proprietary LED platform delivers a soft, diffuse volume of pure white light that carries the general character of a fluorescent source while simultaneously eliminating unsightly socket shadows and the hassle of luminaire maintenance. A guaranteed system life of 50,000 hrs combined with exceptional efficacy make the R3 LED the ultimate solution to satisfy the most stringent energy requirements with an ultra-light carbon footprint.

Catalog #		Type
Project		
Comments		Date
Prepared by		

SPECIFICATION FEATURES

A ... Construction

Low profile housing constructed of die formed 20 gauge cold rolled steel with integral 20 gauge gear tray.

B ... Reflector

Precision tooled, high reflectance sheet metal which allows for easy access to ballast compartment from below ceiling plenum.

C ... Shielding

High light transmission frosted prismatic acrylic lens with UV inhibitors minimizes lamp image and ensures efficient light distribution. Lenses secured to housing via injection molded inserts for easy lamp access.

D ... Electrical

Fixture equipped with proprietary Cooper LED modules available in 3000, 3500 or 4000k with a CRI plus or minus 85. Removable module features aluminum extrusion providing exceptional thermal management. Modules are driven using universal voltage switch mode LED drivers. Fixture and modules certified to UL and CUL standards. A 0 to 10V dimming control is available (standard).

E ... Finish

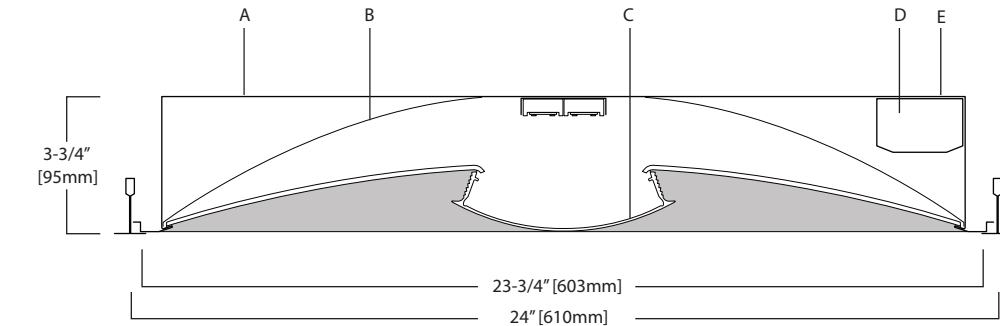
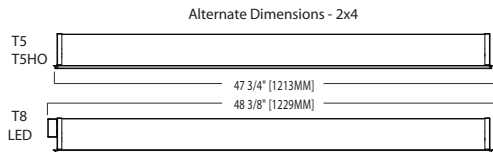
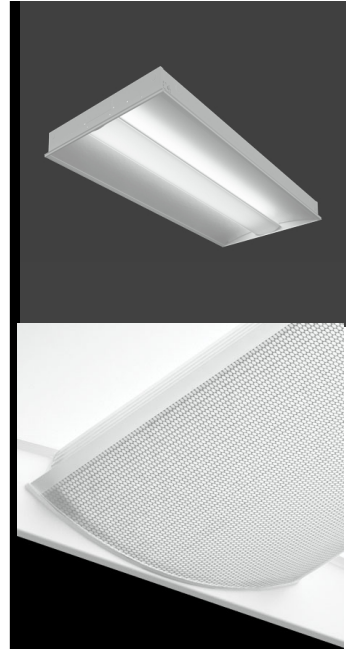
Fixture housings are high reflectance white using electrostatically applied polyester powder coat paint.

Mounting

Standard flange design works with most lay in ceiling types. Integral pryout tabs secure luminaire to ceiling grid from above. Fixture offers tie in locations for tie wire on all corners, consult local code for appropriate tie wire recommendations.

Note: Concealed Ceiling

Class R may be installed into inaccessible ceilings (sheet rock, wood panel, etc.). This is achieved with the Metalux DFW series drywall frame-in kit, ordered separately from Metalux. Specify CC for the Corelite Ceiling Type. Specify the following part numbers separately, from Metalux: For 1x2, order Metalux part DF-12W-U.



CLASS R3 Round Perf Lens

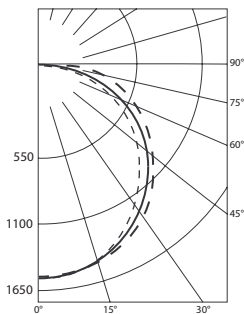
LED
2'x4' Recessed
3-3/4" Depth

ORDERING INFORMATION

Sample Number: R3-WD-1L30-1C-UNV-24-T1

Series R3: Class R3	Shielding D: Round Perf Inlay	Color Temperature L30: LED, 3000K L35: LED, 3500K L40: LED, 4000K	Wiring ¹ B: Battery Pack C: Standard Circuit D: Dimming E: Emergency T: Nightlight Y: Daylight	Voltage ¹ 120: 120V 277: 277V 347: 347V UNV: Universal (120V-277V)	Ceiling Type T1: 1" Grid, Slot-Grid, 9/16" Tegular T9: 9/16" Grid CC: Concealed Ceiling SU: Surface Mount	Options ¹ AR: Air Return CP: Chicago Plenum NY: New York City Construction W6: 6' Whip Flex W12: 12' Whip Flex
Reflector W: White	Light Level 1: Light Level 1 2: Light Level 2	Number of Circuits 1: 1 Circuit		Size 24: 2' x 4'		

Notes: 1 Not all options available. Please consult your Cooper Lighting Representative for availability.



R3-WD-2L35-2x4
4710 Lumens
56 Watts
84.0 LPW
LED ALM 2.0

Test Report: #P22374

Coefficients of Utilization

rc	Effective floor cavity reflectance																							
	80%				70%				50%				30%				10%				0%			
	rw	70	50	30	10	70	50	30	10	50	30	10	50	30	10	50	30	10	50	30	10	0		
0	119	119	119	119	116	116	116	116	111	111	111	106	106	106	102	102	102	100	100	100	100	100		
1	108	103	98	94	105	101	97	93	96	93	90	92	90	87	89	87	84	82	82	82	82	82		
2	98	89	82	76	95	87	81	75	84	78	73	80	76	72	77	73	70	68	68	68	68	68		
3	89	78	69	63	86	76	68	62	73	66	61	70	65	60	68	63	59	56	56	56	56	56		
4	81	69	60	53	79	67	59	52	65	57	52	62	56	51	60	55	50	48	48	48	48	48		
5	75	61	52	45	72	60	51	45	58	50	44	56	49	44	54	48	43	41	41	41	41	41		
6	69	55	46	39	67	54	45	39	52	44	39	50	44	38	49	43	38	36	36	36	36	36		
7	64	50	41	35	62	49	40	34	47	40	34	46	39	34	45	38	34	32	32	32	32	32		
8	59	45	37	31	58	45	36	31	43	36	30	42	35	30	41	35	30	28	28	28	28	28		
9	55	42	33	28	54	41	33	27	40	32	27	39	32	27	38	32	27	25	25	25	25	25		
10	52	38	30	25	51	38	30	25	37	30	25	36	29	25	35	29	25	23	23	23	23	23		

Zonal Lumen Summary

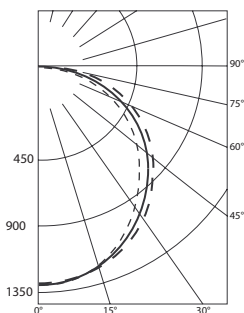
Zone	Lumens	% Lamp	% Fixture
0-30	1203	N.A.	25.5
0-40	1977	N.A.	42
0-60	3570	N.A.	75.8
0-90	4710	N.A.	100
40-90	2732	N.A.	58.0
60-90	1140	N.A.	24.2
90-180	0	N.A.	0
0-180	4710	N.A.	100

Luminance Data

Angle in Deg	0-Deg cd/sm	45-Deg cd/sm	90-Deg cd/sm
45	2002	2171	2338
55	1861	2174	2463
65	1632	2147	2593
75	1241	2126	2994
85	711	1735	1917

Candela

Angle	0-Deg	23-Deg	45-Deg	68-Deg	90-Deg
0	1539	1539	1539	1539	1539
5	1540	1530	1536	1534	1534
10	1517	1509	1518	1519	1520
15	1479	1474	1488	1493	1496
20	1428	1427	1445	1452	1456
25	1362	1365	1388	1399	1405
30	1284	1290	1321	1336	1343
35	1193	1203	1241	1266	1279
40	1092	1108	1156	1196	1217
45	983	1004	1066	1125	1148
50	865	892	971	1043	1073
55	741	773	866	949	981
60	612	651	752	843	876
65	479	526	630	725	761
70	348	399	508	605	650
75	223	279	382	489	538
80	118	172	260	346	371
85	43	80	105	108	116
90	0	0	0	0	0



R3-WD-1L35-2x4
4076 Lumens
46 Watts
88.6 LPW
LED ALM 2.0

Test Report: #P22380

Coefficients of Utilization

rc	Effective floor cavity reflectance																							
	80%				70%				50%				30%				10%				0%			
	rw	70	50	30	10	70	50	30	10	50	30	10	50	30	10	50	30	10	50	30	10	0		
0	119	119	119	119	116	116	116	116	111	111	111	106	106	106	102	102	102	100	100	100	100	100		
1	108	103	98	94	105	101	97	93	96	93	90	92	90	87	89	87	84	82	82	82	82	82		
2	98	89	82	76	95	87	81	75	84	78	73	80	76	71	77	73	70	68	68	68	68	68		
3	89	78	69	62	86	76	68	62	73	66	61	70	65	60	68	63	59	56	56	56	56	56		
4	81	69	60	53	79	67	59	52	65	57	51	62	56	51	60	55	50	48	48	48	48	48		
5	74	61	52	45	72	60	51	45	58	50	44	56	49	44	54	48	43	41	41	41	41	41		
6	69	55	46	39	67	54	45	39	52	44	39	50	44	38	49	43	38	36	36	36	36	36		
7	64	50	41	34	62	49	40	34	47	40	34	46	39	34	45	38	34	31	31	31	31	31		
8	59	45	37	31	58	45	36	31	43	36	30	42	35	30	41	35	30	28	28	28	28	28		
9	55	42	33	28	54	41	33	27	40	32	27	39	32	27	38	32	27	25	25	25	25	25		
10	52	38	30	25	50	38	30	25	37	30	25	36	29	25	35	29	24	23	23	23	23	23		

Zonal Lumen Summary

Zone	Lumens	% Lamp	% Fixture
0-30	1039	N.A.	25.5
0-40	1708	N.A.	41.9
0-60	3085	N.A.	75.7
0-90	4076	N.A.	100
40-90	2368	N.A.	58.1
60-90	991	N.A.	24.3
90-180	0	N.A.	0
0-180	4076	N.A.	100

Luminance Data

Angle in Deg	0-Deg cd/sm	45-Deg cd/sm	90-Deg cd/sm
45	1727	1876	2020
55	1604	1883	2134
65	1407	1864	2253
75	1079	1853	2610
85	628	1504	1702

Candela

Angle	0-Deg	23-Deg	45-Deg	68-Deg	90-Deg
0	1329	1329	1329	1329	1329
5	1329	1321	1326	1324	1324
10	1311	1303	1310	1311	1312
15	1278	1273	1285	1289	1291
20	1233	1232	1248	1253	1258
25	1177	1179	1200	1209	1215
30	1108	1114	1141	1155	1161
35	1029	1039	1073	1094	1106
40	943	957	999	1034	1052
45	848	867	921	973	992
50	746	770	839	902	929
55	639	669	750	823	850
60	528	564	652	732	761
65	413	456	547	630	661
70	302	345	440	527	566
75	194	243	333	427	469
80	103	150	228	300	318
85	38	71	91	95	103
90	0	0	0	0	0