

## DESCRIPTION

The Accord™ redefines lighting by improving on aesthetics, comfort and energy savings. The Accord provides the right amount of light while eliminating surface shadows commonly found in parabolics. Therefore, Accord increases the comfort level while providing significant energy savings.

The Accord is the ideal solution for offices, schools, hospitals, retail and other applications. It is designed for installations when the housing will be in direct contact with insulation.

<b>Catalog #</b>		<b>Type</b>
<b>Project</b>		
<b>Comments</b>		<b>Date</b>
<b>Prepared by</b>		

## SPECIFICATION FEATURES

### Construction

Shallow 3-1/4" deep housing is die formed of code gauge, prime cold rolled steel. Heavy gauge end plates are securely attached with screws for strength and rigidity and the elimination of gaps. End plates have integral grid-lock feature for safety and convenience. Four auxiliary fixture end suspension points are provided. KOs for continuous row wiring. Large access plate for supply connection.

### Controls

The Accord LED is Powered by Fifth Light, with a standard 0-10V continuous dimming driver that works with many types of controls, like dimmers, occupancy sensors, daylighting controls, or lighting relay panels to maximize energy savings. For individual control and out-of-the-box energy savings, the Accord LED can include an optional factory-installed integrated sensor system "SVPD1" for occupancy, daylight dimming and manual control from within the footprint of the fixture. Expand into fully-addressable systems by specifying Digital Addressable Lighting Interface (DALI) 10% "5LTD" or 1% "5LTHD" dimming drivers for use with Fifth Light controls. Or, go wireless and use the LumaWatt

Pro powered by Enlighted option "LWIPD1" for a fully integrated sensor system with Internet of Things (IoT) connectivity and configurable software.

### Electrical

Long-Life LED system coupled with electrical driver to deliver optimal performance. LED's available in 3000K, 3500K or 4000K with a typical CRI ≤ 85. Projected life is 60,000 hours at 79% lumen output. Electronic drivers are available for 120-277V applications.

### Emergency Battery Pack Option

Optional 120v-277v integral emergency battery pack is available in 7-watts or 14-watts to meet critical life-safety lighting requirements. The 90-minute batteries provide constant power to the LED system, ensuring code-compliance. A test switch/indicator button can be tested safely from the ground using a laser pointer, while the patented EZ Key prevents accidental discharge of the battery during construction. See ordering information for details.

### Driver Access

Driver can be accessed from below without tools.

### Finish

Durable cold rolled steel with multistage, iron phosphate pretreatment and white enamel finish to ensure maximum bonding and rust inhibition.

### Reflectors

Reflector has high reflectance baked matte white enamel finish for luminous uniformity.

### Shielding

Positively retained frosted acrylic profile lenses provide a soft but effective distribution of light.

### Compliance

Modules are UL recognized components and indoor luminaires are cULus listed for 25°C ambient environments, RoHS compliant, and LED modules comply with IESNA LM-79 and LM-80 standards. DesignLights Consortium® Qualified. Refer to [www.designlights.org](http://www.designlights.org) Qualified Products List under Family Models for details.

### Warranty

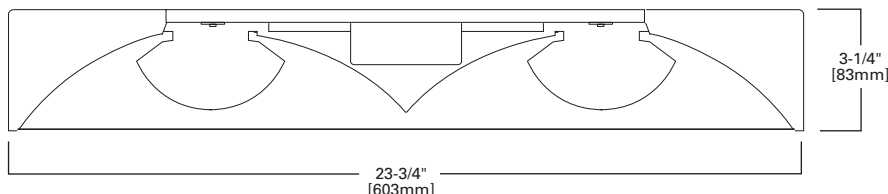
Five year warranty.



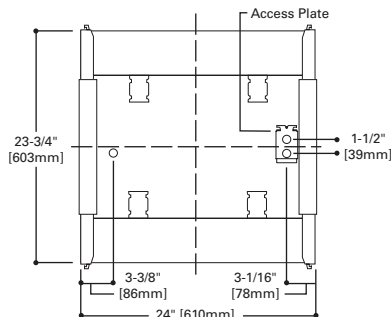
## 22AC LED

2' X 2' TROFFER  
LED MODULE

Specification Grade Troffer

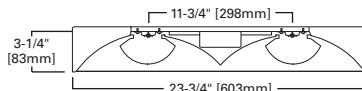


## MOUNTING DATA



NOTE: 2' x 2' and 2' x 4' allow for row mounting

## LAMP CONFIGURATIONS



## CEILING COMPATIBILITY

Grid/Lay-in Standard	Drywall Frame Kit	Ceiling Type**	Trim Type
		Exposed Grid	G
		Concealed T	G or T
		Slot Grid	G or T
		Flange	***

## CERTIFICATION DATA

cULus - 1598  
Damp Location Listed  
IC Rated  
LM79/LM80 Compliant  
ROHS Compliant  
DesignLights Consortium® Qualified

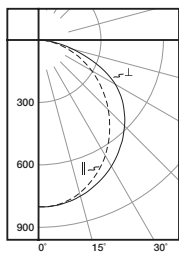
\*\*\*See Drywall Frame Kit Accessory

### LINEAR DISCONNECT

Safe and convenient means of disconnecting power



PHOTOMETRICS

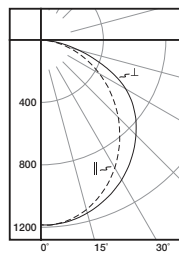


**22AC-LD4-23-UNV-L835-CD1-U**

Dimming Driver  
 Linear LED 3500K  
 Spacing criterion:  
 (H) 1.2 x mounting  
 height, (L) 1.3 x  
 mounting height  
 Lumens: 2303  
 Input Watts: 22.6W  
 Efficacy: 101.9 lm/W  
 Test Report:  
 22AC-LD4-23-UNV-  
 L835-CD1-U.IES

**Candlepower**

Angle	Along H	45°	Across L
0	801	801	801
5	799	796	800
10	785	785	791
15	761	765	776
20	727	739	755
25	687	706	730
30	641	667	700
35	588	626	665
40	531	577	627
45	473	528	584
50	414	475	537
55	355	420	487
60	295	365	426
65	234	307	347
70	178	243	256
75	124	171	172
80	74	99	98
85	28	38	39
90	0	0	0



**22AC-LD4-34-UNV-L835-CD1-U**

Dimming Driver  
 Linear LED 3500K  
 Spacing criterion:  
 (H) 1.2 x mounting  
 height, (L) 1.3 x  
 mounting height  
 Lumens: 3400  
 Input Watts: 36.1W  
 Efficacy: 94.2 lm/W  
 Test Report:  
 22AC-LD4-34-UNV-  
 L835-CD1-U.IES

**Candlepower**

Angle	Along H	45°	Across L
0	1182	1182	1182
5	1180	1175	1181
10	1159	1158	1169
15	1124	1130	1146
20	1074	1090	1115
25	1015	1042	1078
30	946	985	1034
35	868	922	982
40	785	854	924
45	702	778	861
50	613	702	795
55	526	621	719
60	436	539	629
65	348	454	512
70	264	358	377
75	182	253	252
80	109	147	146
85	42	55	57
90	0	0	0

**Coefficients of Utilization**

rc rw RCR	Effective floor cavity reflectance																				
	80%				70%				50%				30%				10%				0%
	70	50	30	10	70	50	30	10	50	30	10	50	30	10	50	30	10	50	30	10	0
0	119	119	119	119	116	116	116	116	111	111	111	106	106	106	102	102	102	100	100	100	100
1	109	104	99	95	106	101	97	94	97	94	91	93	91	88	90	87	85	83	83	83	83
2	99	90	83	77	96	88	82	76	85	79	75	81	77	73	78	75	71	69	69	69	69
3	90	79	71	64	87	77	70	63	74	68	62	72	66	61	69	64	60	58	58	58	58
4	82	70	61	54	80	68	60	54	66	59	53	64	57	52	61	56	52	49	49	49	49
5	75	62	53	46	73	61	53	46	59	51	46	57	50	45	55	49	45	43	43	43	43
6	70	56	47	40	68	55	47	40	53	46	40	52	45	40	50	44	39	37	37	37	37
7	64	51	42	36	63	50	42	36	48	41	35	47	40	35	46	39	35	33	33	33	33
8	60	46	38	32	58	46	37	32	44	37	32	43	36	31	42	36	31	29	29	29	29
9	56	43	34	29	55	42	34	29	41	33	28	40	33	28	39	33	28	26	26	26	26
10	53	39	31	26	51	39	31	26	38	31	26	37	30	26	36	30	25	24	24	24	24

**Zonal Lumen Summary**

Zone	Lumens	% Fixture
0-30	618	26.8
0-40	1009	43.8
0-60	1794	77.9
0-90	2303	100.0
0-180	2303	100.0

**Coefficients of Utilization**

rc rw RCR	Effective floor cavity reflectance																				
	80%				70%				50%				30%				10%				0%
	70	50	30	10	70	50	30	10	50	30	10	50	30	10	50	30	10	50	30	10	0
0	119	119	119	119	116	116	116	116	111	111	111	106	106	106	102	102	102	100	100	100	100
1	109	104	99	95	106	101	97	94	97	94	91	93	91	88	90	87	85	83	83	83	83
2	99	90	83	77	96	88	82	76	85	79	75	81	77	73	78	75	71	69	69	69	69
3	90	79	71	64	87	77	70	63	74	68	62	72	66	61	69	64	60	58	58	58	58
4	82	70	61	54	80	68	60	54	66	59	53	64	57	52	61	56	52	49	49	49	49
5	75	62	53	46	73	61	53	46	59	51	46	57	50	45	55	49	45	43	43	43	43
6	70	56	47	40	68	55	47	40	53	46	40	52	45	40	50	44	39	37	37	37	37
7	64	51	42	36	63	50	42	36	48	41	35	47	40	35	46	39	35	33	33	33	33
8	60	46	38	32	58	46	37	32	44	37	32	43	36	31	42	36	31	29	29	29	29
9	56	43	34	29	55	42	34	29	41	33	28	40	33	28	39	33	28	26	26	26	26
10	53	39	31	26	51	39	31	26	38	31	26	37	30	26	36	30	25	24	24	24	24

**Zonal Lumen Summary**

Zone	Lumens	% Fixture
0-30	912	26.8
0-40	1491	43.8
0-60	2648	77.9
0-90	3400	100.0
0-180	3400	100.0

LUMEN MAINTENANCE

Ambient Temperature	TM-21 Lumen Maintenance (60,000 hours)	Theoretical L70 (Hours)
25°C	> 79%	> 93,000

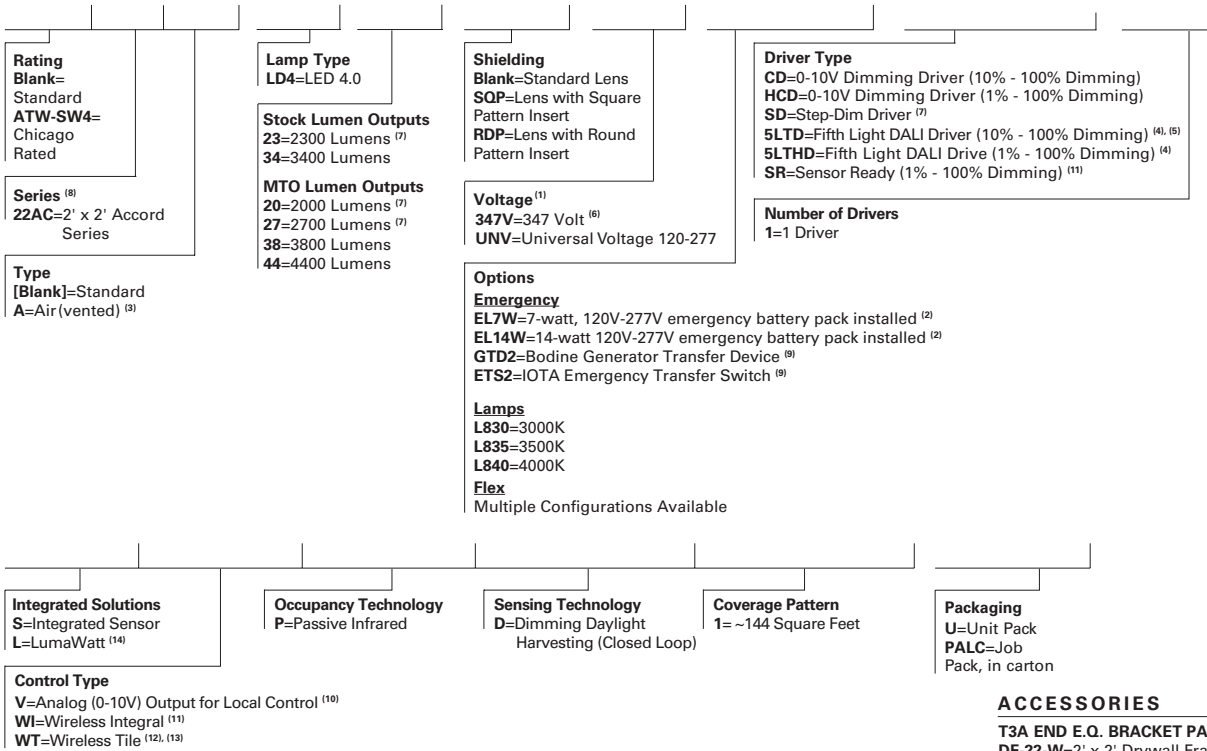
ENERGY AND PERFORMANCE DATA BY CATALOG NUMBER

Stock or MTO*	Catalog Logic (Curved)	Delivered Lumens	Watts	Efficacy (LPW)
MTO	22AC-LD4-20-UNV-L830-CD1-U	1968	20.0	98
MTO	22AC-LD4-20-UNV-L835-CD1-U	2030	19.8	103
MTO	22AC-LD4-20-UNV-L840-CD1-U	2052	19.8	104
MTO	22AC-LD4-23-UNV-L830-CD1-U	2215	22.6	98
Stock	22AC-LD4-23-UNV-L835-CD1-U	2303	22.6	102
Stock	22AC-LD4-23-UNV-L840-CD1-U	2358	22.6	104
MTO	22AC-LD4-27-UNV-L830-CD1-U	2600	27.1	96
MTO	22AC-LD4-27-UNV-L835-CD1-U	2698	27.1	100
MTO	22AC-LD4-27-UNV-L840-CD1-U	2770	27.1	102
MTO	22AC-LD4-34-UNV-L830-CD1-U	3274	36.2	91
Stock	22AC-LD4-34-UNV-L835-CD1-U	3400	36.1	94
Stock	22AC-LD4-34-UNV-L840-CD1-U	3486	36.2	96
MTO	22AC-LD4-38-UNV-L830-CD1-U	3742	42.1	89
MTO	22AC-LD4-38-UNV-L835-CD1-U	3807	42.1	90
MTO	22AC-LD4-38-UNV-L840-CD1-U	3896	42.1	93
MTO	22AC-LD4-44-UNV-L830-CD1-U	4237	52.1	81
MTO	22AC-LD4-44-UNV-L835-CD1-U	4375	52.1	84
MTO	22AC-LD4-44-UNV-L840-CD1-U	4513	52.1	87

\*Made to order (MTO) requires a typical four week lead time.

ORDERING INFORMATION

SAMPLE NUMBER: 22AC-LD4-34-UNV-L835-CD1-U



ACCESSORIES

- T3A END E.Q. BRACKET PARTS BAG
- DF-22-W=2' x 2' Drywall Frame Kit
- SK-22-WS=2' x 2' Shallow Surface Mount Kit
- SK-22-WT=2' x 2' Tall Surface Mount Kit
- DF10P-C\_=Decorator Dimmer, 0-10V
- SF10P-\_=Decorator Dimmer, 0-10V

NOTES: <sup>(1)</sup>Products also available in non-US voltages and frequencies for international markets. <sup>(2)</sup>With integral test switch/indicator/laser test. For approximate delivered lumens multiply the lumens per watt of the desired fixture by the wattage of the emergency battery pack (100 lm/W x 7=700 lumens). IES-format photometry for luminaire under emergency operation available. <sup>(3)</sup>Air versions are not designed for continuous row mount applications. Air version is vented but does not meet air handling requirements. <sup>(4)</sup>For a complete listing of Fifth Light Technology products and other solutions from Cooper Controls, visit [www.eaton.com/lightingsystems](http://www.eaton.com/lightingsystems) <sup>(5)</sup>2000, 2300, 2700 and 3400 lumen options are not available with a Fifth Light (5LTD) driver. <sup>(6)</sup>347V emergency option not available. <sup>(7)</sup>2000, 2300, 2700 and 3400 lumen options are not available with Step-dim driver. <sup>(8)</sup>DesignLights Consortium™ Qualified and classified for DLC Standard, refer to [www.designlights.org](http://www.designlights.org) for details. <sup>(9)</sup>Used to transfer fixture to secondary power source for life-safety operation. When used with a dimming fixture, two devices (add "2" to GTD or ETS for ordering) are required to ensure control is disabled while operating under emergency power. <sup>(10)</sup>Integral sensor works only with "CD" driver and is factory prewired to the driver for stand-alone control. <sup>(11)</sup>SR driver compatible with LWI option only. <sup>(12)</sup>LWT compatible with CD and HCD drivers only. <sup>(13)</sup>LWT sensor is external to luminaire, cable factory wired. <sup>(14)</sup>Must be used in conjunction with a LumaWatt Pro control system. For complete LumaWatt Pro wireless solutions, visit [www.eaton.com/lumawattpro](http://www.eaton.com/lumawattpro).

Specifications & dimensions subject to change without notice. Consult your Eaton Representative for availability and ordering information.

SHIPPING DATA

Catalog No.	Wt.
22AC-LD4-23	14 lbs.
22AC-LD4-34	14 lbs.