

DESCRIPTION

A return to simplicity, elegance and minimalism ... Slender LED lines of light set in an architectural environment are the essence of Straight and Narrow. This series accommodates most architectural lighting design applications. Generation II enhancements and new features:

- Extruded housing offers precise in-line appearance and enhanced rigidity
- LED offers a continuous uninterrupted line of light with no shadows
- Flush lay in lens provides clean look and easy maintenance
- Continuous runs are provided to the nearest foot

Catalog #		Type
Project		
Comments		Date
Prepared by		

SPECIFICATION FEATURES

Construction

Extruded aluminum housing. Nominal 2', 3', 4', 6' or 8' illuminated sections. Used in run configuration and/or individual fixtures

Shielding

Trimless, lay-in, high transmission diffuser. Optional snap-in lens available.

Electrical

Fixture equipped with proprietary Cooper LED modules rated at 3500K. Removable module features aluminum extrusion providing exceptional thermal management. Modules are driven using universal voltage switch-mode LED drivers. Fixture and modules certified to UL and CUL standards. A 0 to 10V dimming control is available.

Finish

Fixture housings are matte finish white using electrostatically applied polyester powder coat paint. Optional custom finish.

Mounting

Pendant with adjustable single cable and circular canopy. Standard length of cable provided is 48"

SCETG = SC on ETG
 SCSTG = SC on STG
 SCFTG = SC on FTG
 SCSR = SC on SR

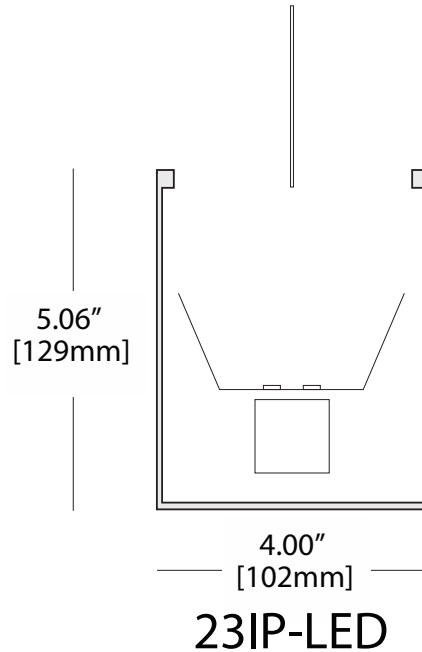


23IP Straight & Narrow LED

Continuous

Pendant
Indirect

Light Distribution:
Indirect = 100%
Direct = 0%



ORDERING INFORMATION

Sample Number: S23IP-1L35-SCETG-xx-U-DD-S92HT

Series S23= Series 23	Light Distribution I= Indirect Mounting P= Pendant	Light Level LED (3500K) 4ft 1 = Light Level 1 2100 Lumens, 33 Watts 2 = Light Level 2 2700 Lumens, 44 Watts	Lamp Type LED (3500K) L30 = LED, 3000K (subtract 10% from 3500K light levels) L35 = LED, 3500K L40 = LED, 4000K (add 10% to 3500K light levels)	Mounting Type SC = Single Cable SCETG= SC on ETG SCSTG = SC on STG SCFTG = SC on FTG SCSR= SC on SR	Length xx= Continuous Run	Voltage 120 = 120V 277= 277V UNV = Universal (120v-277v)	Driver ED= Electronic Driver DD= Dimming Driver Shielding Options S92HT = Lay-in High Transmission Lens S92HTS = Snap in High Transmission Lens
--------------------------	---	--	---	--	------------------------------	--	--

Notes:

1. Not all options available. Please consult your local Cooper Lighting Representative for availability.
2. Specification and Dimensions subject to change without notice.