

## DESCRIPTION

A return to simplicity, elegance and minimalism ... Slender lines of LED light set in an architectural environment are the essence of Straight and Narrow. This series accommodates most architectural lighting design applications. Generation II enhancements and new features:

- Extruded housing offers precise in-line appearance and enhanced rigidity
- LED offers a continuous uninterrupted line of light with no shadows
- Flush lay in lens provides clean look and easy maintenance
- IC rated

Catalog #		Type
Project		
Comments		Date
Prepared by		

## SPECIFICATION FEATURES

### Construction

Extruded aluminum housing. Nominal 2', 3', 4', 6' or 8' illuminated sections. Used in run configuration and/or individual fixtures

### Shielding

Trimless, lay-in, high transmission diffuser.

### Electrical

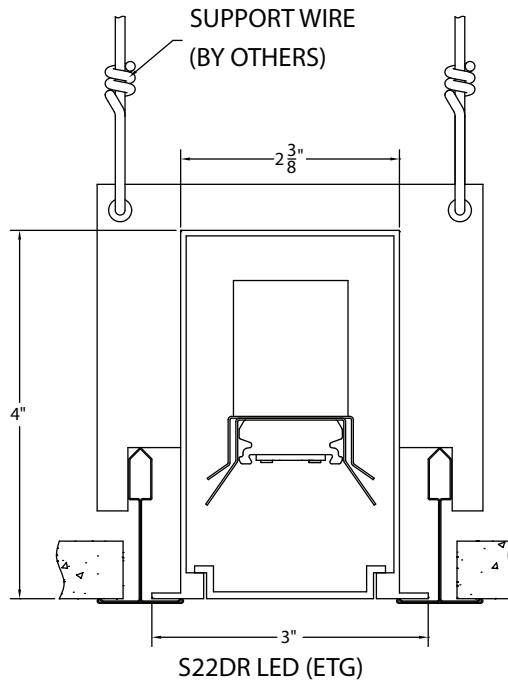
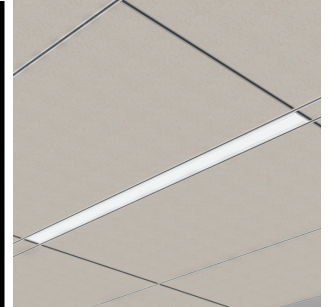
(120-277) Voltage electronic driver. Fixtures and electrical components certified to UL and CUL standards. Damp location rated. IC rated.

### Finish

Durable, low gloss, white, powder coated acrylic. Optional custom finish.

### Mounting

Recessed. Specify:  
 (ETG) 15/16" Exposed T-grid  
 (STG) 9/16" Screw Slot Grid  
 (SR) Sheet Rock (Flanged)  
 (FSR) Flangeless Sheet Rock  
 (FTG) 9/16" Exposed T-grid



## 22DR Straight & Narrow LED

### Individual

### Recessed Direct

Light Distribution:  
 Indirect = 0%  
 Direct = 100%

## ORDERING INFORMATION

Sample Number: S22DR-1L35-ETG-4-U-DD-S92HT

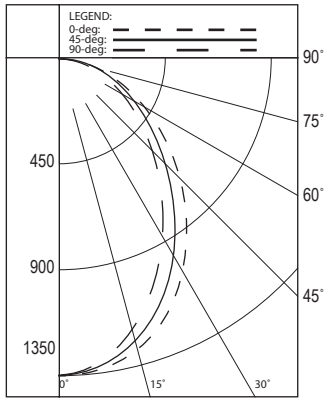
Series S22= Series 23	Light Distribution D= Direct Mounting R= Recessed	Light Level LED (3500K) 4ft 1 = Light Level 1 1757 Lumens, 28 W 2 = Light Level 2 2253 Lumens, 37.5 W	Lamp Type LED (3500K) L30 = LED, 3000K (-10% from 3500K) L35 = LED, 3500K L40 = LED, 4000K (+10% to 3500K)	Ceiling Type ETG = 15/16" (exposed T-grid) FTG = 9/16" (exposed T-grid) STG = Slot T-grid SR = Sheet Rock (flanged) FSR = Sheet Rock (trimless)	Length 2 = 2' 3 = 3' 4 = 4' 6 = 6' 8 = 8'	Voltage 1 = 120V 2 = 277V U = Universal (120v-277v)	Driver ED= Electronic Driver DD= Dimming Driver	Emergency EM= Emergency Pack (remote installation) EC= Emergency Circuit	Options CP= Chicago Plenum
--------------------------	--	--	--	--	--	---	---	---	-------------------------------

Shielding Options  
 S92HT = Lay-in High Transmission Lens  
 S92HTS = Snap in High Transmission Lens  
 S92 = Lay-in Opal Lens  
 S92S = Snap in Opal Lens

Notes:

1. Not all options available. Please consult your local Cooper Lighting Representative for availability.
2. Specification and Dimensions subject to change without notice.

**22DR LED**  
S22DR-1L35-4D-S92HT



**Zonal Lumen Summary**

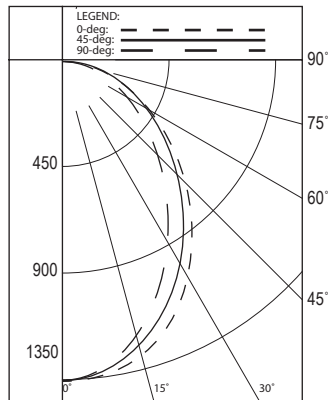
Zone	Lumens	%Lamp	%Fixt
0-30	703.55	N.A.	33.60
0-40	1092.83	N.A.	52.20
0-60	1741.51	N.A.	83.10
0-90	2095.32	N.A.	100.00
0-180	2095.32	N.A.	100.00
Total Luminaire Watts		33	
Ballast Factor		1.00	
CIE Type		Direct	
Spacing Criteria (0-180)		1.18	
Spacing Criteria (90-270)		1.04	
Spacing Criteria (Diagonal)		1.20	
Basic Luminous Shape		Rectangular	

Report#: P21072

**Candela**

Angle	0	45	90
0	977	977	977
5	984	970	961
10	966	947	934
15	935	907	880
25	836	781	729
35	696	625	559
45	535	463	405
55	377	321	278
65	238	203	177
75	122	107	97
85	35	32	30
90	0	0	0

**22DR LED**  
S22DR-2L35-4D-S92HT



**Zonal Lumen Summary**

Zone	Lumens	%Lamp	%Fixt
0-30	904.40	N.A.	33.60
0-40	1405.32	N.A.	52.10
0-60	2240.16	N.A.	83.10
0-90	2695.4	N.A.	100.00
0-180	2695.4	N.A.	100.00
Total Luminaire Watts		45	
Ballast Factor		1.00	
CIE Type		Direct	
Spacing Criteria (0-180)		1.18	
Spacing Criteria (90-270)		1.04	
Spacing Criteria (Diagonal)		1.20	
Basic Luminous Shape		Rectangular	

Report#: P21069

**Candela**

Angle	0	45	90
0	1255	1255	1255
5	1265	1247	1235
10	1242	1216	1199
15	1202	1165	1131
25	1075	1005	937
35	895	804	720
45	688	597	522
55	485	413	358
65	306	261	228
75	157	138	124
85	45	41	38
90	0	0	0

**Mounting Information**

