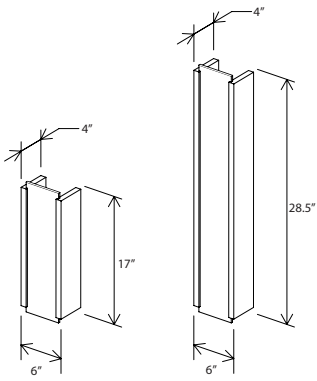


Capio S / Capio L  
sconce



Dimensions Capio S - 17" X 6" X 4"

Dimensions Capio L - 28.5" X 6" X 4"

Solid wood, frosted polymer (CM-024)

Product weight Capio S - 4 lbs

Product weight Capio L - 7 lbs

Energy efficient LED light source

Light output Capio S - 500 lumens

Light output Capio L - 1000 lumens

Light color Capio S & Capio L - 2700 K (warm)

Color accuracy Capio S & Capio L - 90+ CRI

LED power consumption Capio S - 7 Watts

Requires space in J-box for included external LED driver

Driver dimensions Capio S - 3.25" X 1.25" X .75"

LED power consumption Capio L - 14 Watts

Driver dimensions Capio L - 3" X 1.5" X 1"

Dimmable (TRIAC, ELV, 0-10V)

ADA compliant hotel room signage with tactile numbering and corresponding braille available.

Wood grain will vary



MATERIAL & FINISH OPTIONS

Capio Sconce part # 03-180 -

<b>Size:</b>	
Capio L (Long)	L
Capio S (short)	S
<b>Wood Body:</b>	
walnut (CM-001)	W
dark stained walnut (CM-002)	D
maple (CM-005)	M
<b>Voltage:</b>	
120 (leave blank)	
230	230
277	277

Emergency backup option available upon request  
J-box centered behind fixture

Non-pictured finish option

Dark Stained Walnut  
(CM-002)

*The Capio is an exercise in restraint and efficiency consisting of just two solid wood sides that capture a single light diffusing lens. The clean and simple design allows for horizontal or vertical mounting as well as compelling compositions when used in multiples.*

Nick Sheridan  
Designer

WE DO CUSTOM WORK

We can accommodate your custom needs. Whether it is modifying an existing product, or creating something completely new, we look forward to hearing your ideas.



Capio S, walnut



Capio L, walnut



Capio S, maple



Capio S, maple