

JILL LED - ASYM

1.65" Asymmetric Drop Lens
Narrow LED

Drop-Lens Recessed Linear Fixture



Elusive and revealing: JILL ASYM combines both qualities with a dropped-asymmetric lens designed to deliver wall-washing illumination from an ultra-slender recessed aperture. JILL ASYM's 2-dimensional lens is designed to obscure lamp image on vertical side while simultaneously projecting wall washing light from the diagonal side of the frosted and clear prismatic acrylic lens combination.

JILL ASYM can be mounted in gypsum ceilings or walls with either a 3/4" Trim (TR) or Trimless mud-over flange. T-grid models for drop ceilings are also available.

Asymmetric acrylic dropped lenses provide smooth direct and wall wash light distribution to any architectural indoor specification. With a smaller aperture, multiple installation options and the appearance of a floating asymmetric lens, JILL ASYM offers beauty in plain sight.

 UL and c-UL listed for dry and damp locations.

 Made in the USA

FIXTURE SPECIFICATIONS

Construction

Fixture body is constructed of heavy gauge extruded anodized aluminum. Fixtures are available in nominal lengths of 2, 3, 4, 6, 8 feet, and continuous run lengths. Lenses are extruded acrylic. End caps are (MEC) machined aluminum or (IEC) illuminated precision-cut acrylic.

Mounting

Recessed linear fixture for drywall, wood or T-Grid ceiling installations, or for mounting on the wall on a vertical plane. Available as continuous row mount. See installation information for specific details regarding installation guidelines. Various mounting options available for ease of installation.

LED Light Engine System

LED Light Engines are available as HLO (High Lumen Output) and SLO (Standard Lumen Output) providing efficient illumination. CLO (Custom Lumen Output) allows for end user specified lumen output or tailored wattage consumption for certain models. Consult factory for details.

Dimming

Dimming is available with a variety of control protocols and options. Consult factory for availability and specifications.

Acrylic Lens

The acrylic lens is a co-extrusion frosted white linear prismatic on the angled face, frosted white on the adjacent side.

Custom and Mods

We proudly specialize in manufacturing custom and modified luminaires and have the ability to modify most of our standard fixtures. Please contact factory with any inquiries.



JILL LED - ASYM

1.65" Asymmetric Drop Lens
Narrow LED

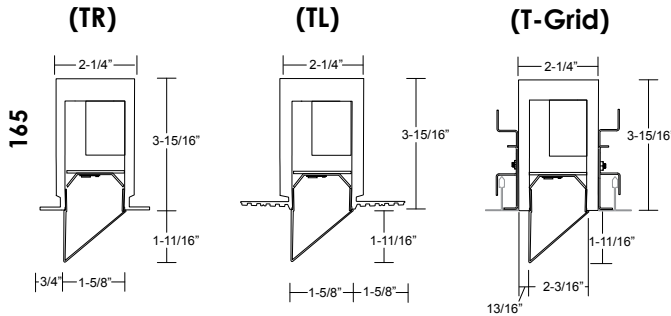
Type: _____ Job Name: _____

Drop-Lens Recessed Linear Fixture

SPECIFICATION CODE

model	trim style	lamp type	length	lens end cap	voltage	ballast	options	
Model	Trim Style²	Light Engine	Color Temp	Nominal Length	Lens End Cap⁵	Voltage	Driver	Options
JIL-ASYM-LED-165 - JILL 1.65" aperture Narrow LED	TR - 3/4" flange TL - Trimless Mud-over flange T-Grid Ceilings⁴ 15L - 15/16" exposed lay-in 9L - 9/16" exposed lay-in IA - Interlude by Armstrong SG - Slot Grid	SLO - Standard Lumen Output HLO - High Lumen Output CLO⁹ - Custom Lumen Output CLO Calculator	27 - 2700K 30 - 3000K 35 - 3500K 40 - 4000K	2 - 2' 3 - 3' 4 - 4' 6 - 6' 8 - 8' CR¹ Continuous Run	IEC - Illuminated End Cap MEC - Machined End Cap	120 277 347	EB - Electronic Dimming ³ D1 - 1% (nom) 0-10V D10 - 10% 0-10V HLA2⁶ - Lutron 2 wire HLA3 - Lutron 3 wire HLAD - Lutron digital	EM - Emergency ⁷ battery pack Trim Finishes² FB - Flat black MW - Matte white CUP - Custom powder coat Mounting Options⁸ OHMB - Overhead Mounting Bracket BF - Backer Flange HB - Hanger Bracket TGP - T-Grid Perimeter mount

Dimensions



NOTES

- 1 specify lengths in nominal feet
- 2 Satin Clear for TR & T-Grid standard, TL is Mill Finish, see [option sheet](#) custom finishes
- 3 consult factory for driver compatibility
- 4 see [T-Grid sheet](#) for more details
- 5 MEC standard finish (SC) Satin Clear IEC matches acrylic lens
- 6 120v only
- 7 consult factory for EM options
- 8 see [instruction sheet](#) for mounting info
- 9 refer to [CLO Calculator](#) for code selection

*see [lens supplement sheet](#) for lens info

LED

165 (4000K FW lens)

- SLO** - 101.5 lm/watt delivered @ 3 w/ft fixture input watts, 305 lm/ft.
- HLO** - 100.9 lm/watt delivered @ 5.9 w/ft fixture input watts, 595 lm/ft.
- CLO** - refer to [CLO Calculator](#)
- 165 LED [supplement info](#)

