

# JILL LED

1.65" 3.25"

Narrow | Distributed Array

## Recessed Linear LED Fixture




Elusive and revealing: JILL LED combines the best of both qualities within a striking, slender aperture that almost dissolves into the ceiling, yet still unveils a subtle glow from the unique dropped-lens feature.

JILL LED 1.65" or 3.25" can be mounted in gypsum ceilings or walls with either a 3/4" Trim (TR) or Trimless mud-over flange. T-grid models for drop ceilings are also available.

Acrylic dropped lenses allow even, and glowing illumination, while giving the impression of light beams on the surface of your application. With a smaller aperture, multiple installation options and the appearance of a floating lens, JILL offers beauty in plain sight.

JILL features LED Light Engines and dimmable power supply components which combined together provide optimal LED lighting system capabilities and a 5 year system warranty.

 UL and c-UL listed for dry and damp locations.

 Made in the USA

## FIXTURE SPECIFICATIONS

### Construction

Fixture body is constructed of heavy gauge extruded aluminum. Fixtures are available in nominal lengths of 2, 3, 4, 6 and 8 feet, and continuous run lengths. Lenses are extruded acrylic. End caps are (MEC) machined aluminum or (IEC) illuminated acrylic.

### Options

Dimming driver, Emergency battery pack (EM). Custom Miter corners are available. Consult factory for compatibility, specifications and selection.

### Acrylic Lens Options

(FW) Frosted White, (FC) Frosted Clear.

325 lens option: (FX) Prismatic Sided Frosted Clear and (FT) Prismatic Sided Frosted White.

### LED Light Engine System

LED Light Engines are available as HLO (High Lumen Output) and SLO (Standard Lumen Output) providing efficient illumination. CLO (Custom Lumen Output) allows for end user specified lumen output or tailored wattage consumption for certain models. Consult factory for details.

### Dimming

Dimming is available with a variety of control protocols and options. Consult factory for availability and specifications.

### Finishes

Standard Trim (TR) and T-Grid finishes are (SC) Satin Clear anodized. Consult factory for custom powder coat finishes.

### Mounting

Recessed linear fixture for drywall, wood or T-Grid ceiling installations, or for mounting on the wall on a vertical plane. Available as continuous row mount. See installation information for specific details regarding installation guidelines. Various mounting options available for ease of installation.

### Custom and Mods

We proudly specialize in manufacturing custom and modified luminaires and have the ability to modify most of our standard fixtures. Please contact factory with any inquiries.



# JILL LED

1.65" 3.25"

Narrow | Distributed Array

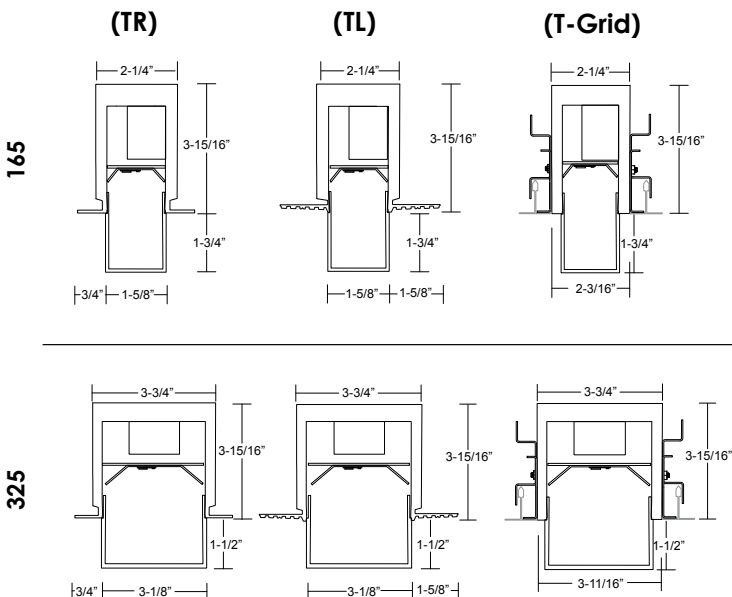
Type: Job Name:

Recessed Linear LED Fixture

## SPECIFICATION CODE

model	trim style	light engine	color temp	length	lens	lens end cap	voltage	driver	options	options
<b>Model</b>	<b>Trim Style<sup>2</sup></b>	<b>Light Engine</b>	<b>Color Temp</b>	<b>Nominal Length</b>	<b>Lens</b>	<b>Lens End Cap<sup>5</sup></b>	<b>Voltage</b>	<b>Driver</b>	<b>Options</b>	
<b>JIL-LED-165</b> - 1.65" aperture	<b>TR</b> - 3/4" flange	<b>SLO</b> - Standard Lumen Output	<b>27</b> - 2700K <b>30</b> - 3000K <b>35</b> - 3500K <b>40</b> - 4000K	<b>2</b> - 2' <b>3</b> - 3' <b>4</b> - 4' <b>6</b> - 6'	<b>FW</b> - Frosted White <b>FC</b> - Frosted Clear	<b>IEC</b> - Illuminated End Cap	<b>120</b> <b>277</b>	<b>EB</b> - Electronic	<b>EM<sup>9</sup></b> - Emergency battery pack	
<b>JIL-LED-325</b> - 3.25" aperture	<b>TL</b> - Trimless Mud-over flange <b>T-Grid Ceilings<sup>3</sup></b> <b>15L</b> - 15/16" exposed lay-in <b>9L</b> - 9/16" exposed lay-in <b>IA</b> - Interlude <sup>®</sup> <b>SG</b> - Slot Grid	<b>HLO</b> - High Lumen Output <b>CLO<sup>7</sup></b> - Custom Lumen Output <a href="#">CLO Calculator</a>		<b>8</b> - 8' <b>CR<sub>1</sub></b> - Continuous Run	<b>FT<sup>4</sup></b> - Prismatic Sided Frosted White <b>FX<sup>4</sup></b> - Prismatic Sided Frosted Clear	<b>MEC</b> - Machined End Cap	<b>0</b> -10V <b>D10</b> - 10% 0-10V <b>HLA2<sup>8</sup></b> - Lutron 2 wire <b>HLA3</b> - Lutron 3 wire <b>HLAD</b> - Lutron digital	<b>D1</b> - 1% (nom) 0-10V <b>D10</b> - 10% 0-10V	<b>Finishes<sup>2</sup></b> <b>FB</b> - Flat black <b>MW</b> - Matte white <b>CUP</b> - Custom powder coat <b>Mounting Options<sup>5</sup></b> <b>OHMB</b> - Overhead Mounting Bracket <b>BF</b> - Backer Flange <b>HB</b> - Hanger Bracket <b>TGP</b> - T-Grid Perimeter mount	

### Dimensions



### NOTES

- 1 specify lengths in nominal feet
- 2 Satin Clear for TR & T-Grid standard, TL is Mill Finish, see [option sheet](#) for custom finishes
- 3 see [T-Grid sheet](#) for more details
- 4 only available in 325
- 5 MEC standard finish (SC) Satin Clear IEC matches acrylic lens selection
- 6 see [instruction sheet](#) for mounting info, TGP is T-Grid only
- 7 refer to [CLO Calculator](#) for code selection
- 8 120V only
- 9 consult factory for EM options

\*see [lens supplement sheet](#) for lens info

### LED

#### 165 (4000K FW lens)

**SLO** - 98.5 lm/watt delivered @ 3 w/ft fixture input watts, 296 lm/ft.  
**HLO** - 95.0 lm/watt delivered @ 5.9 w/ft fixture input watts, 560 lm/ft.  
**CLO** - refer to [CLO Calculator](#)  
165 LED [supplement info](#)

#### 325 (4000K FW lens)

**SLO** - 89.5 lm/watt delivered @ 5.2 w/ft fixture input watts, 465 lm/ft.  
**HLO** - 85.4 lm/watt delivered @ 10.9 w/ft fixture input watts, 931 lm/ft.  
**CLO** - refer to [CLO Calculator](#)  
325 LED [supplement info](#)