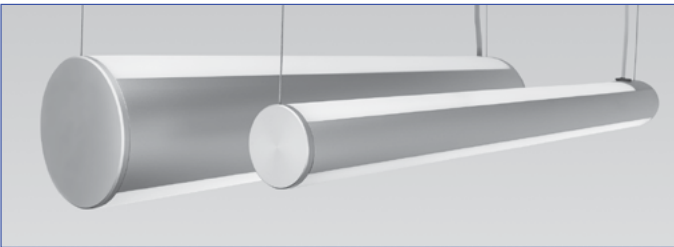
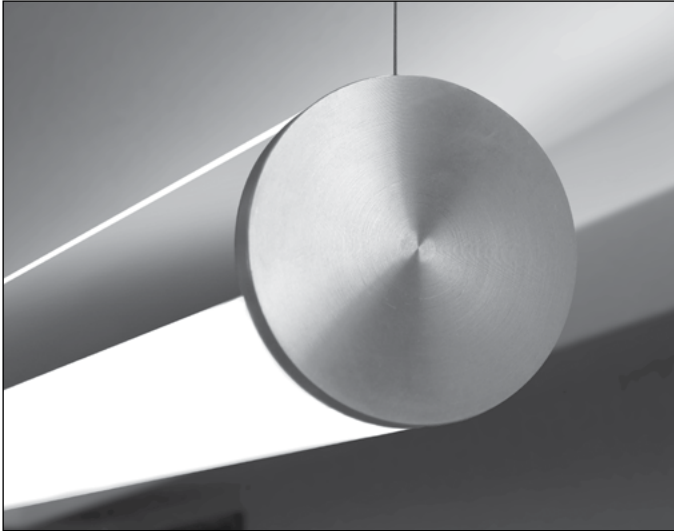


GET A QUOTE >

CSS | CSS-R | RAS




CHLOE 475/225 CSS

Modern refinement, high efficiency and application versatility are the definition of CHLOE LED - our 2.25" and 4.75" round linear LED luminaire.

Designed to deliver direct/indirect light to the ceiling, wall or work plane, CHLOE LED is the perfect match for interior applications requiring high LED efficiency within the smooth lines of a sophisticated light instrument. Dimming capability, Two-Circuit switching (2CKT), or Continuous Run (CR) options make CHLOE LED exceptionally versatile for applications such as: open-plan offices, corridors, libraries or health facilities.

CHLOE LED's streamlined outer profile encases the precision-engineered interior underpinnings of a strong powerhouse while still maintaining an elegant profile and providing LED lighting efficiency.

 UL and c-UL listed for dry and damp locations.



Made in the USA

## FIXTURE SPECIFICATIONS

### Construction

Heavy gauge extruded aluminum housing. 1/4" thick precision machined aluminum end-caps. Extruded frosted acrylic lenses specifically engineered to deliver smooth and even illumination while maximizing light and luminaire performance.

### Finishes

(SC) Satin Clear anodize is standard. (MW) Matte White or (FB) Flat Black powder coat finishes optional. Custom finishes available - consult factory.

### Fixture Length

Fixtures are available in nominal lengths of 2, 3, 4, 6 and 8 feet. Continuous run mounting available featuring internal adjoining bracket and splines for a straight and precise installation

### LED Light Engine System

LED Light Engines are available as HLO (High Lumen Output) and SLO (Standard Lumen Output) providing efficient illumination. CLO (Custom Lumen Output) allows for end user specified lumen output or tailored wattage consumption for certain models. Consult factory for details.

### Dimming

Dimming is available with a variety of control protocols and options. Consult factory for availability and specifications.

### Acrylic Lens Option

(FW) Frosted White.

### Mounting

Field-adjustable 1/8" aircraft (CSS) Cable Suspension System for use with bracket bar, 5" round canopy and cable gripper device (included). 36" aircraft cable and (G) Gray power cord included as standard. (RAS) Rotational Arm System option provides 361° directional and lockable aiming with all mounting styles. See ordering guide for possible configurations.

### Custom and Mods

We proudly specialize in manufacturing custom and modified luminaires and have the ability to modify most of our standard fixtures. Please contact factory with any inquiries.

www.birchwoodlighting.com

Type: \_\_\_\_\_ Job Name: \_\_\_\_\_

CSS | CSS-R | RAS GET A QUOTE >

**SPECIFICATION CODE**

model	direct light engine	indirect light engine	color temp	length	finish	lens direct	lens indirect	voltage	driver	mounting	CSS/CSS-R/RAS options continued below
Model	Direct Light Engine	Indirect Light Engine	Color Temp	Nominal Length	Finish	Lens Direct	Lens Indirect	Voltage	Driver	Mounting	
<b>CHL-LED-225<sup>7</sup></b> 2.25" round direct/indirect	<b>SLO</b> - Standard Lumen Output	<b>SLO</b> - Standard Lumen Output	<b>27</b> - 2700K <b>30</b> - 3000K <b>35</b> - 3500K <b>40</b> - 4000K	<b>2</b> - 2' <b>3</b> - 3' <b>4</b> - 4' <b>6</b> - 6' <sup>8</sup> <b>8</b> - 8' <sup>8</sup>	Anodized <b>SC</b> - Satin Clear  <b>Powder Coat</b> <b>MW</b> - Matte White <b>FB</b> - Flat Black <b>CUP</b> - Custom <sup>2</sup>	<b>FW</b> - Frosted White	<b>FW</b> - Frosted White	<b>120</b> <b>277</b> <b>347<sup>5</sup></b>	<b>EB</b> - Electronic  <b>DIM</b> - Dimming <b>D1</b> - 1% (nom) 0-10V <b>D10</b> - 10% 0-10V <b>HLA2<sup>9</sup></b> - Lutron 2 wire <b>HLA3</b> - Lutron 3 wire <b>HLH</b> - Lutron H EcoSystem <b>HL5</b> - Lutron 5 series EcoSystem <b>DALI</b> - DALI	<b>CSS</b> - Cable Suspended <b>CSS-R</b> - Cable Suspended Rotational <b>RAS</b> - Rotational Arm Mount	
<b>CHL-LED-475</b> 4.75" round direct/indirect	<b>CLO<sup>5</sup></b> - Custom Lumen Output <a href="#">CLO Calculator</a>	<b>CLO<sup>5</sup></b> - Custom Lumen Output		<b>CR</b> <sup>1</sup> Continuous Run							

**CSS/CSS-R SPECIFICATION CODE**

CSS Options	CSS selections only <sup>3</sup>					
<b>Orientation<sup>3</sup></b> - Cable Length <b>CSS<sup>3</sup></b> - Power Cord Color <b>CSS<sup>3</sup></b> - Canopy <b>CSS<sup>3</sup></b> - Canopy Finish	<table border="1"> <tr> <td>orientation</td> <td>standard cable length</td> <td>standard cord color</td> <td>standard canopy</td> <td>standard canopy finish</td> </tr> </table>	orientation	standard cable length	standard cord color	standard canopy	standard canopy finish
orientation	standard cable length	standard cord color	standard canopy	standard canopy finish		

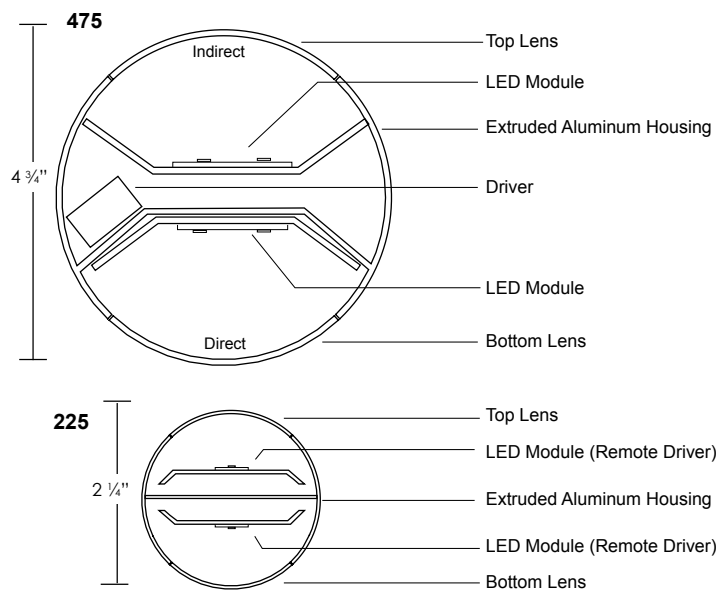
**RAS SPECIFICATION CODE**

RAS Options	RAS selections only <sup>3</sup>			
<b>RAS<sup>3</sup></b> - Standard Cover Plate <b>RAS<sup>3</sup></b> - Cover Plate Finish <b>RAS<sup>3</sup></b> - Arm Length	<table border="1"> <tr> <td>standard plate/knuckle</td> <td>cover plate finish</td> <td>arm length</td> </tr> </table>	standard plate/knuckle	cover plate finish	arm length
standard plate/knuckle	cover plate finish	arm length		

**OPTION CODE**

Options
<b>2CKT</b> - 2 Circuit Switching
<b>EM<sup>4</sup></b> - Emergency Battery Pack

**Dimensions**



**NOTES**

- 1 specify length in nominal feet
- 2 contact factory for custom finish
- 3 see options on follow page for non-standard selections
- 4 consult factory for EM options
- 5 available for EB, D1, D10 drivers only
- 6 120V only
- 7 225 fixture driver and EM are remote
- 8 225 fixture 6' length is made up of (2) 3' fixtures for CSS-R/RAS only  
225 fixture 8' length is made up of (2) 4' fixtures for CSS-R/RAS only

\*see [option sheet](#) for details

**LED**

225 (4000K FW lens)
<b>SLO-SLO</b> - 111 lm/watt delivered @ 5.8 w/ft fixture input watts, 643 lm/ft. <b>HLO-HLO</b> - 109 lm/watt delivered @ 11.8 w/ft fixture input watts, 1287 lm/ft. <b>CLO-CLO</b> - refer to <a href="#">CLO Calculator</a> 225 LED <a href="#">supplement info</a>
475 (4000K FW lens)
<b>SLO-SLO</b> - 109.9 lm/watt delivered @ 8.8 w/ft fixture input watts, 968 lm/ft. <b>HLO-HLO</b> - 103.3 lm/watt delivered @ 18 w/ft fixture input watts, 1860 lm/ft. <b>CLO-CLO</b> - refer to <a href="#">CLO Calculator</a> 475 LED <a href="#">supplement info</a>

## CSS Options

### Orientation/Mounting<sup>1</sup>

- DR/IN** - Static Direct/Indirect
- R** - Rotational with 1.25" knuckle<sup>2,3</sup>
- R2** - Rotational with 2.25" knuckle<sup>2,3</sup>
- R3** - Rotational with 3.25" knuckle<sup>2,3,4</sup>

### Cable Length Options

- 36** - 36" (standard)
- 72** - 72"
- 120** - 120"

### Power Cord Color Options

- W** - White
- B** - Black
- G** - Gray (standard)

### Canopy Options

- STND** - Bracket bar w/5" round canopy
- NC** - No canopy 1/4-20 side exit cable gripper (1/4-20 stud provided by others)
- CU** - Custom (contact factory)

### Canopy Finish Options

- MW** - Matte White
- SMT** - Silver Matte Texture
- CUP** - Custom (contact factory)

### NOTE

- 1 225 CSS fixture lengths 6' and longer require 3 cables per segment
- 2 knuckles match housing finish
- 3 225 CSS-R fixture lengths 6' and longer are made up of multiple fixtures, 6' = (2) 3' sections, 8' = (2) 4' sections
- 4 not available for 225



## RAS Options

### Cover Plate/ Knuckle/Trim Ring

- 4CP-R** 4" Cover Plate with 1.25" Knuckle (stnd)
- 4CP-R2** 4" Cover Plate with 2.25" Knuckle
- 4CP-R3** 4" Cover Plate with 3.25" Knuckle
- 1TR-R** 1 1/4" Trim Ring with 1.25" knuckle
- 1TR-R2** 1 1/4" Trim Ring with 2.25" knuckle
- 1TR-R3** 1 1/4" Trim Ring with 3.25" knuckle

### Cover Plate Finish

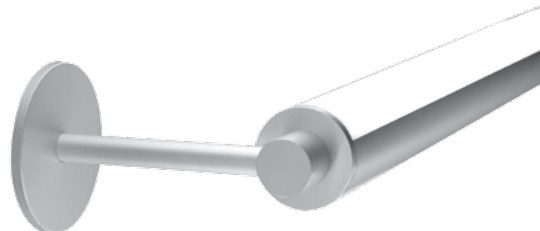
- SC** - Satin Clear (standard)
- MW** - Matte White
- FB** - Flat Black
- CUP** - Custom Powder Coat

Max arm lengths without additional support  
\*For lengths longer than max, Specify "TB" in option section for aircraft cable tie back.

	4'	6'	8'
<b>225</b>	18"	N/A	N/A
<b>475</b>	6"	6"	6"

### Arm Length

- 6 - 6"** (standard)
- 9 - 9"**
- 12 - 12"**
- 18 - 18"**
- CUL** - Custom (specify length in inches ex: CUL28)



### NOTE

- 1 knuckles match housing finish
- 2 225 RAS fixture lengths 6' and longer are made up of multiple sections
- 3 not available for 225