

92 1501 • SS • 92 1550



92 1501 • SS • 92 1560

GENERAL SPECIFICATION

Recessed housing: Galvanized steel.

Decorative finials: Brushed stainless steel.

Suspension: Three stainless steel cables.

Reflector: Aluminum, semi-specular/low iridescent finish.

Faux glass diffuser: Clear 6mm/1/4" thick, green tint acrylic, visually indistinguishable from glass. Diffuser finished with a highly polished edge and a sandblasted face.

Ballasts: HPF, high frequency electronic ballasts for multiple lamp types and voltages 120-277V.

Drivers: HPF, electronic 120-277V, 0-10V dimming standard.

*Check with factory for availability.

Mechanical: Pan/plaster mounting frame with adjustable mounting brackets and bar hangers. Easy access 14Ga galvanized steel junction box with two snap on covers.

****Emergency system:** Integral emergency luminaires provide a 1.5 hour emergency lighting facility. The self contained system includes the inverter module, NiCad batteries and a remote wall/ceiling plate with LED charge indicator and test switch (maximum distance between wall/ceiling plate and luminaire is 15m/50').

A SPECIFY LUMINAIRE TYPE

Code:	Lamp:	CCT:	CRI:	Delivered lms:	Efficacy LPW:	Weight:	Photometry:
92 1501	45W LED	3000K	min 80	3000	50	4.5Kg/9.9lb	File# 921501
92 1502	45W LED	3500K	min 80	3000	50	4.5Kg/9.9lb	File# 921502
92 1503	45W LED	4000K	min 80	3000	50	4.5Kg/9.9lb	File# 921503

B SPECIFY TRIM

- WH White trim with matt silver reflector
- SS Chrome trim with matt silver reflector

C SPECIFY OPTIONS

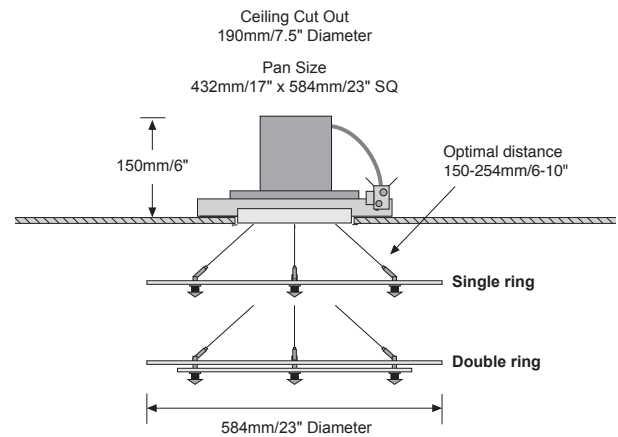
- EM Emergency system**
- DD DALI
- D1 1% Dimming
- DZ 0.1% Dimming
- FU Fuse
- 3 347V*

D SPECIFY DECORATIVE TRIM (REQUIRED)

- 92 1550 Single faux glass ring with cone finials
- 92 1551 Single faux glass ring with dome finials
- 92 1560 Double faux glass rings with cone finials
- 92 1561 Double faux glass rings with dome finials

Example Specification Code: 92 1501 • SS • 92 1550

PRELIMINARY DATA
SUBJECT TO CHANGE



A SPECIFY LAMP/LUMINAIRE TYPE

Code:	Lamp:	Height (A):	Weight:	Photometry:
93 2020	2 x 26/32/42W PL-T	152mm/6"	4.5Kg/9.9lb	File# 932020
93 2021	2 x 26/32/42W PL-T	229mm/9"	4.5Kg/9.9lb	File# 932021
93 2022	2 x 57W PL-T <i>(not suitable with GE lamps)</i>	229mm/9"	4.5Kg/9.9lb	File# 932022

B SPECIFY OPTIONS

- DB Dimming ballasts
- EM Emergency system**
- FU Fuse

C SPECIFY VOLTAGE (REQUIRED)

- 1 120V
- 2 277V
- 3 347V*

D SPECIFY DECORATIVE TRIM (REQUIRED)

- 93 2023 Single faux glass ring with cone finials
- 93 2024 Single faux glass ring with dome finials
- 93 2033 Double faux glass rings with cone finials
- 93 2034 Double faux glass rings with dome finials

Example Specification Code: 93 2020 ▪ DB ▪ 1 ▪ 93 2023

