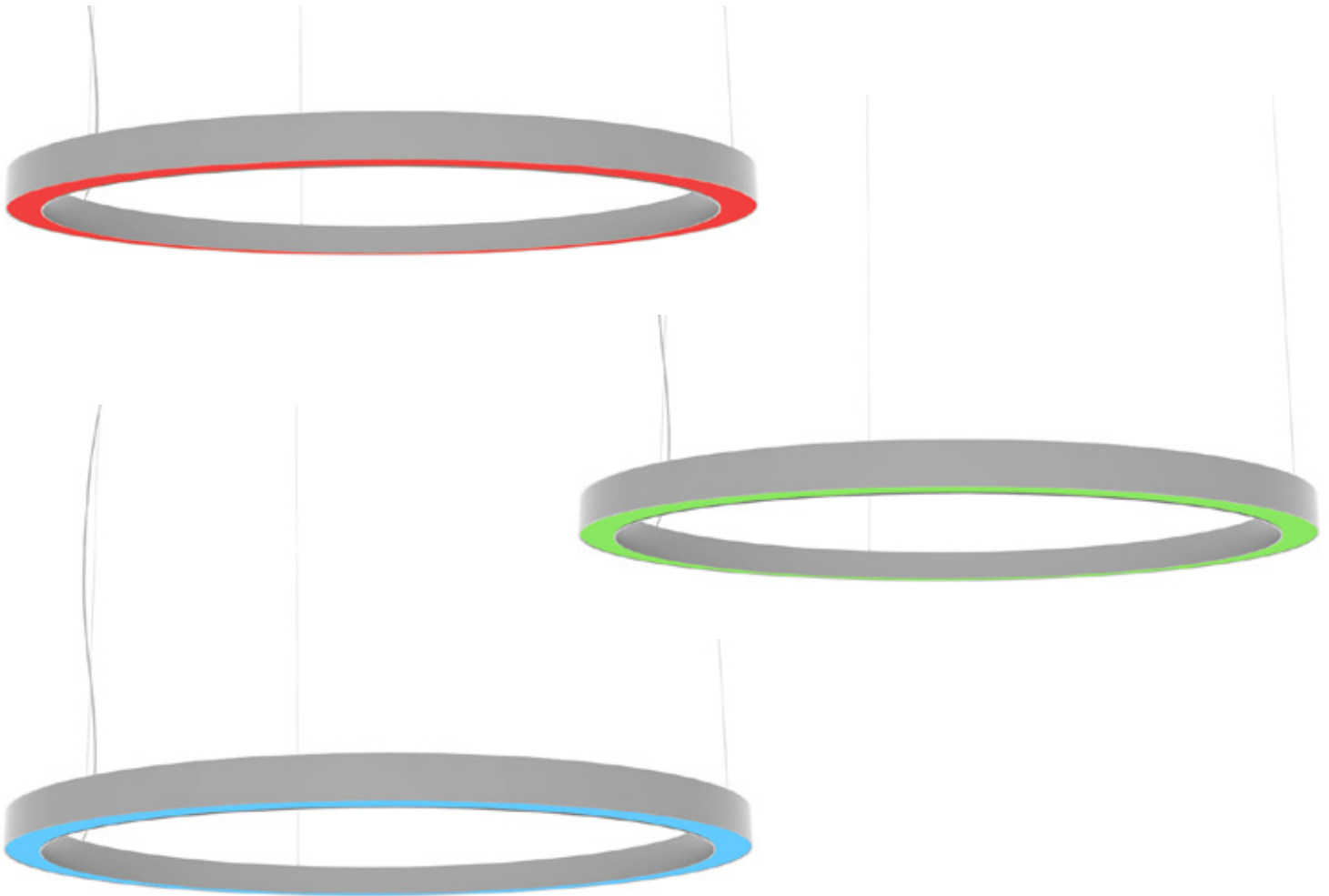


RING

STATIC COLOR LED DIRECT ILLUMINATION

WEB PIN™ 296

GET A QUOTE >



GENERAL SPECIFICATION

Body and trim: Steel and aluminum.

Top cover plate: White powder coated steel.

Finish: Powder coated.

Suspension: Stainless steel cables.

Power cable: Silver braided.

Diffusers: Opal polycarbonate, supplied in sections.

Drivers: Integral, HPF electronic drivers for 120-277V, 0-10V, 1% dimming standard.

Mechanical: Luminaires mount directly over J box (by others).

Approvals: ETL

Ring DIA:	Supplied sections:	Suspension points:	Total weight:
610mm/24"	1	3	8Kg/18lbs
914mm/36"	1	3	12Kg/26lbs
1219mm/48"	1	3	15Kg/35lbs
1524mm/60"	1	3	19Kg/42lbs
1829mm/72"	1	3	24Kg/52lbs
2133mm/84"	1	6	27Kg/60lbs
2438mm/96"	3	6	32Kg/69lbs
2743mm/108"	3	6	34Kg/75lbs
3657mm/144"	4	8	46Kg/102lbs
5486mm/216"	6	12	69Kg/152lbs

Ring luminaires are supplied in several sections for assembly on site. Luminaires are pre-wired and connect electrically and mechanically.



RING

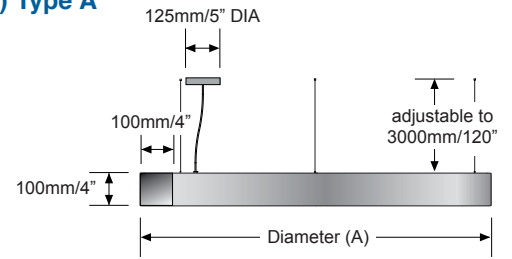
STATIC COLOR LED DIRECT ILLUMINATION

WEB PIN™ 296

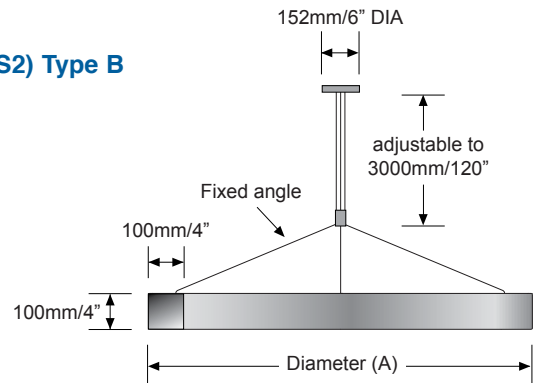
A SPECIFY LAMP/LUMINAIRE TYPE

Code:	Diameter (A):	Source:	LED Color	L70 @25°C (77°F):
95 0200	610mm/24"	9W LED	RED	> 100,000 hrs
95 0201	610mm/24"	15W LED	GREEN	> 100,000 hrs
95 0202	610mm/24"	15W LED	BLUE	> 100,000 hrs
95 0210	914mm/36"	14W LED	RED	> 100,000 hrs
95 0211	914mm/36"	22W LED	GREEN	> 100,000 hrs
95 0212	914mm/36"	23W LED	BLUE	> 100,000 hrs
95 0270	1219mm/48"	18W LED	RED	> 100,000 hrs
95 0271	1219mm/48"	30W LED	GREEN	> 100,000 hrs
95 0272	1219mm/48"	30W LED	BLUE	> 100,000 hrs
95 0220	1524mm/60"	25W LED	RED	> 100,000 hrs
95 0221	1524mm/60"	40W LED	GREEN	> 100,000 hrs
95 0222	1524mm/60"	40W LED	BLUE	> 100,000 hrs
95 0280	1829mm/72"	27W LED	RED	> 100,000 hrs
95 0281	1829mm/72"	45W LED	GREEN	> 100,000 hrs
95 0282	1829mm/72"	45W LED	BLUE	> 100,000 hrs
95 0230	2133mm/84"	36W LED	RED	> 100,000 hrs
95 0231	2133mm/84"	58W LED	GREEN	> 100,000 hrs
95 0232	2133mm/84"	58W LED	BLUE	> 100,000 hrs
95 0290	2438mm/96"	36W LED	RED	> 100,000 hrs
95 0291	2438mm/96"	60W LED	GREEN	> 100,000 hrs
95 0292	2438mm/96"	60W LED	BLUE	> 100,000 hrs
95 0240	2743mm/108"	46W LED	RED	> 100,000 hrs
95 0241	2743mm/108"	74W LED	GREEN	> 100,000 hrs
95 0242	2743mm/108"	74W LED	BLUE	> 100,000 hrs
95 0250	3657mm/144"	60W LED	RED	> 100,000 hrs
95 0251	3657mm/144"	96W LED	GREEN	> 100,000 hrs
95 0252	3657mm/144"	97W LED	BLUE	> 100,000 hrs
95 0260	5486mm/216"	95W LED	RED	> 100,000 hrs
95 0261	5486mm/216"	152W LED	GREEN	> 100,000 hrs
95 0262	5486mm/216"	154W LED	BLUE	> 100,000 hrs

(S1) Type A



(S2) Type B



B SPECIFY SUSPENSION

S1 Type A

S2 Type B (not available with 2743mm/108" DIA or larger)

GET A QUOTE >

C SPECIFY FINISH

WH White

MS Metallic silver

Example Specification Code: 95 0210 • S1 • WH

Note: Due to constant changes in LEDs, please check our website for current product specifications.

© 2016 BETA-CALCO INC.
BETACALCO.COM

US Mar 09, 2016 02:04 PM