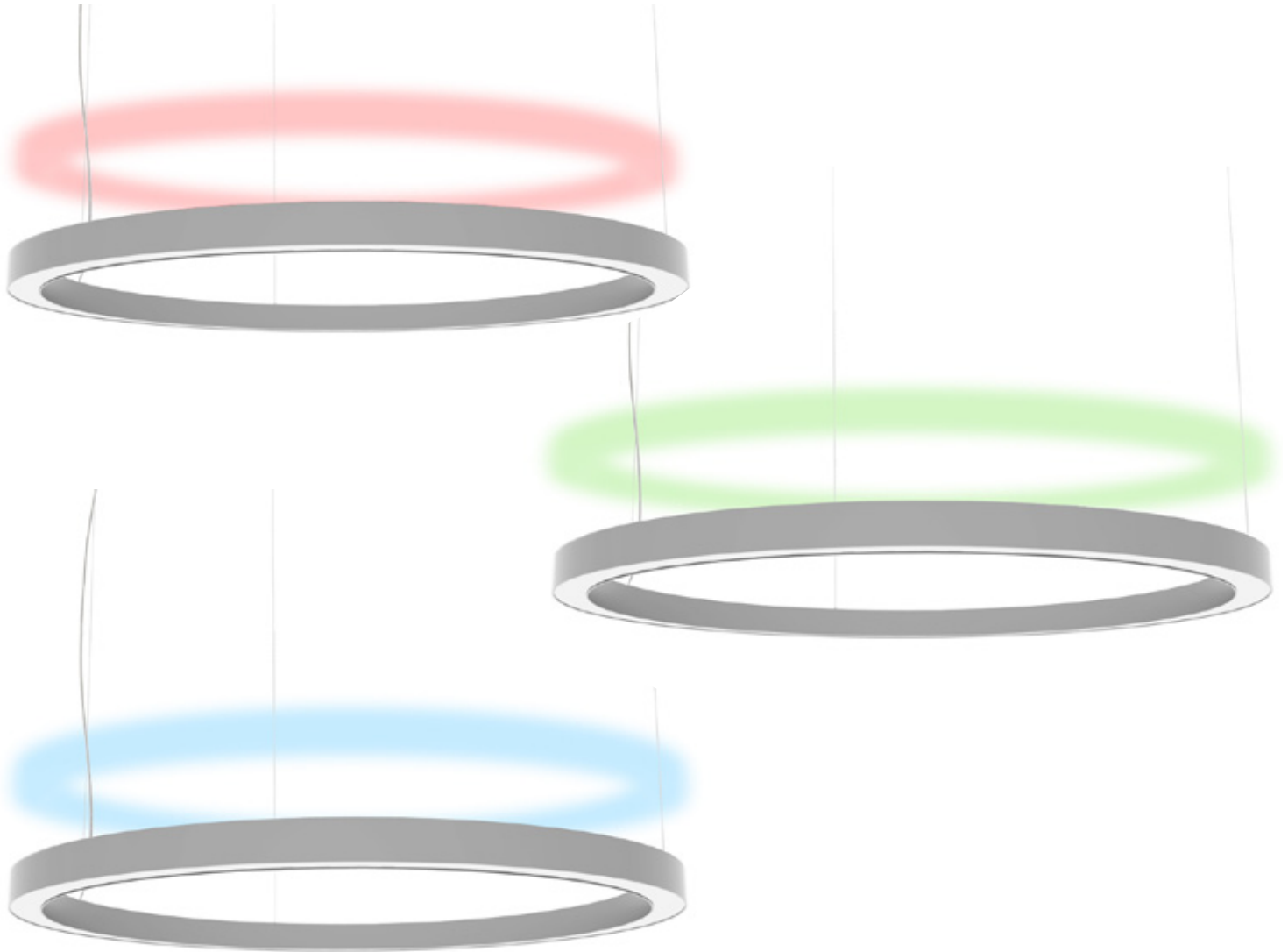


RING

WHITE LED DIRECT & STATIC COLOR INDIRECT ILLUMINATION

WEB PIN™ 268



GENERAL SPECIFICATION

Body and trim: Steel and aluminum.

Top cover plate: White powder coated steel.

Finish: Powder coated.

Suspension: Stainless steel cables.

Power cable: Silver braided.

Diffusers: Opal polycarbonate, supplied in sections.

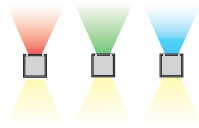
Drivers: Integral, HPF electronic drivers for 120-277V, 0-10V, 1% dimming standard.

Mechanical: Luminaires mount directly over J box (by others).

Approvals: ETL

Ring DIA:	Supplied sections:	Suspension points:	Total weight:
610mm/24"	1	3	8Kg/18lbs
914mm/36"	1	3	12Kg/26lbs
1219mm/48"	1	3	15Kg/35lbs
1524mm/60"	1	3	19Kg/42lbs
1829mm/72"	1	3	24Kg/52lbs
2133mm/84"	1	6	27Kg/60lbs
2438mm/96"	3	6	32Kg/69lbs
2743mm/108"	3	6	34Kg/75lbs
3657mm/144"	4	8	46Kg/102lbs
5486mm/216"	6	12	69Kg/152lbs

Ring luminaires are supplied in several sections for assembly on site. Luminaires are pre-wired and connect electrically and mechanically.



WHITE LED DIRECT & STATIC COLOR INDIRECT ILLUMINATION

RING
WEB PIN™ 268

A SPECIFY LAMP/LUMINAIRE TYPE

Code:	Diameter (A):	Direct Power:	Color CCT:	CRI:	Direct lms:	Efficacy LPW:	L70 @25°C (77°F):	Photometry:
95 0300	610mm/24"	65W LED	3000K	min 80	6038	93	> 50,000 hrs	File# 950300
95 0301	610mm/24"	65W LED	4000K	min 80	6233	96	> 50,000 hrs	File# 950301
95 0310	914mm/36"	101W LED	3000K	min 80	9438	93	> 50,000 hrs	File# 950310
95 0311	914mm/36"	101W LED	4000K	min 80	9742	96	> 50,000 hrs	File# 950311
95 0370	1219mm/48"	138W LED	3000K	min 80	12644	92	> 50,000 hrs	File# 950370
95 0371	1219mm/48"	138W LED	4000K	min 80	13052	95	> 50,000 hrs	File# 950371
95 0320	1524mm/60"	180W LED	3000K	min 80	16704	93	> 50,000 hrs	File# 950320
95 0321	1524mm/60"	180W LED	4000K	min 80	17243	96	> 50,000 hrs	File# 950321
95 0380	1829mm/72"	216W LED	3000K	min 80	19962	92	> 50,000 hrs	File# 950380
95 0381	1829mm/72"	216W LED	4000K	min 80	20606	95	> 50,000 hrs	File# 950381
95 0330	2133mm/84"	260W LED	3000K	min 80	24127	93	> 50,000 hrs	File# 950330
95 0331	2133mm/84"	260W LED	4000K	min 80	24905	96	> 50,000 hrs	File# 950331
95 0390	2438mm/96"	281W LED	3000K	min 80	25408	90	> 50,000 hrs	File# 950390
95 0391	2438mm/96"	281W LED	4000K	min 80	26227	93	> 50,000 hrs	File# 950391
95 0340	2743mm/108"	325W LED	3000K	min 80	29769	92	> 50,000 hrs	File# 950340
95 0341	2743mm/108"	325W LED	4000K	min 80	30729	95	> 50,000 hrs	File# 950341
95 0350	3657mm/144"	432W LED	3000K	min 80	39293	91	> 50,000 hrs	File# 950350
95 0351	3657mm/144"	432W LED	4000K	min 80	40561	94	> 50,000 hrs	File# 950351
95 0360	5486mm/216"	692W LED	3000K	min 80	62501	90	> 50,000 hrs	File# 950360
95 0361	5486mm/216"	692W LED	4000K	min 80	64517	93	> 50,000 hrs	File# 950361

B SPECIFY INDIRECT COLOR LED

- RD** Red
- BL** Blue
- GN** Green

C SPECIFY SUSPENSION

- S1** Type A
- S2** Type B (not available with 2743mm/108" DIA or larger)

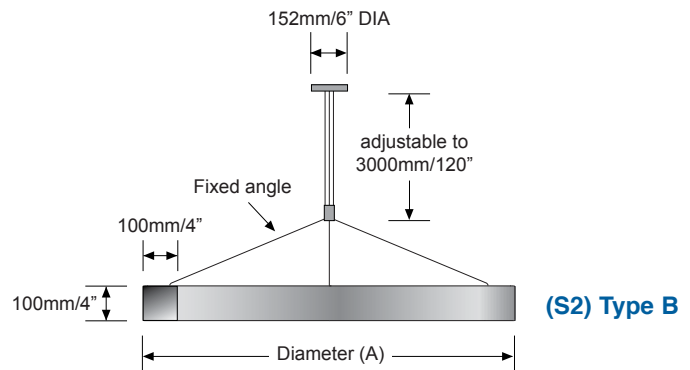
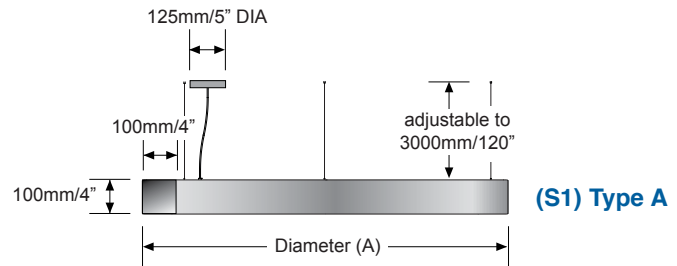
D SPECIFY FINISH

- WH** White
- MS** Metallic silver

E SPECIFY OPTIONS

- PR1** Lumen reduction to approximately 50% of standard output
- PR2** Lumen reduction to approximately 75% of standard output
- EN** Encelium/Zigby control
- SS** Seperate switching (two power cables supplied)

Example Specification Code: **95 0310 - S1 - WH**



Note: Due to constant changes in LEDs, please check our website for current product specifications.

© 2016 BETA-CALCO INC.
BETACALCO.COM

US Mar 09, 2016 02:05 PM