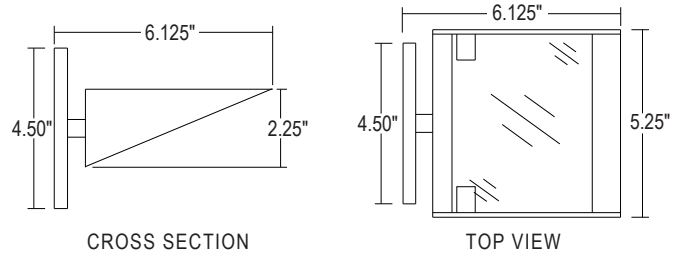
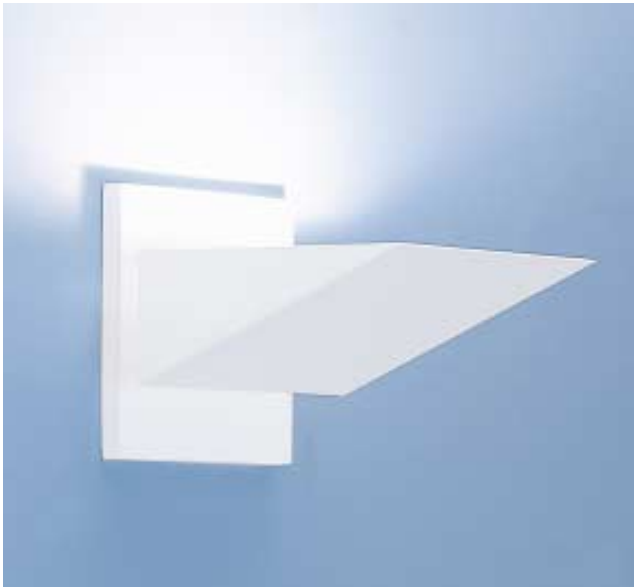


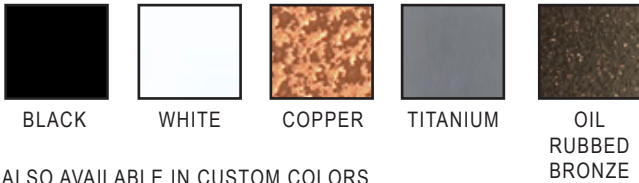
PROJECT

TYPE



- Formed Steel Housing
- Square Backplate
- 2,600 Lumens, 20 Watts
- 130 Lumens per Watt
- 120V AC ELV LED Dimming Compatible
- Dimming to 15% standard
(Dimming to 0% possible with select controls)
- Clear Micro Prismatic Lens standard
- Rich Powder Coat Finish
- Recommended Mounting Box: 4" Octagonal
- UL and CUL Listed Damp Location

Modifications and custom configurations are available.
 Additional Kelvin and CRI options are available.
 Please consult factory.



ALSO AVAILABLE IN CUSTOM COLORS

ORDERING FORMAT

<u>SERIES</u>	<u>KELVIN</u>	<u>CRI</u>	<u>FINISH</u>	<u>OPTIONAL ACCESSORIES</u>	
WS 7215-LED-ELV-1 The LED Wedge Lens™	27 2700K	90 90+	WHP White Powder Coat	DIFFUSER WS-SD-S3 Saw Tooth Diffuser	ADJUSTMENT WS-SK Swivel Knuckle allows for 34° adjustment (17° up or down) <small>Finish selection will match fixture unless otherwise specified.</small>
	30 3000K		BLP Black Powder Coat		
	35 3500K		COP Copper Powder Coat	LENS	BACKPLATE
			TTP Titanium Powder Coat	WS-L-S3-MP-CL Clear Micro Prismatic Lens <small>(standard with fixture)</small>	WS-SQ Square Backplate <small>(standard with fixture)</small>
			OBP Oil Rubbed Bronze Powder Coat	WS-L-S3-MP-FR Frosted Micro Prismatic Lens	WS-RD Round Backplate <small>Finish selection will match fixture unless otherwise specified.</small>
			CC Custom Color	WS-L-S3-DP-CL Clear Diamond Pattern Lens	



RICH, DURABLE POWDER COAT FINISHES



WHP
WHITE POWDER COAT



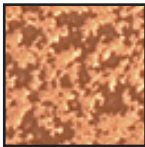
BLP
BLACK POWDER COAT



TTP
TITANIUM POWDER COAT



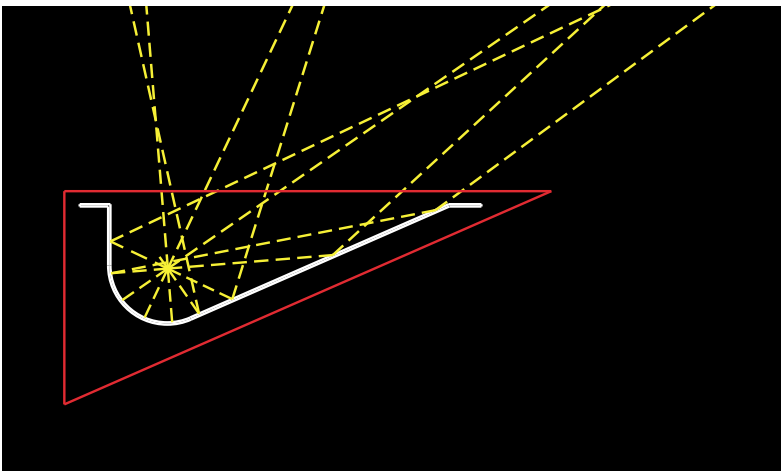
OBP
OIL RUBBED BRONZE POWDER COAT



COP
COPPER POWDER COAT

ALSO AVAILABLE IN
RAW RAW CAST ALUMINUM
(NO FINISH)
CC CUSTOM COLORS

COMPUTER DESIGNED SPECULAR REFLECTORS (halogen fixtures only)



LED FIXTURES DESIGNED TO PERFORM AS OUR HALOGEN FIXTURES

SPECIFICATION GRADE CONSTRUCTION



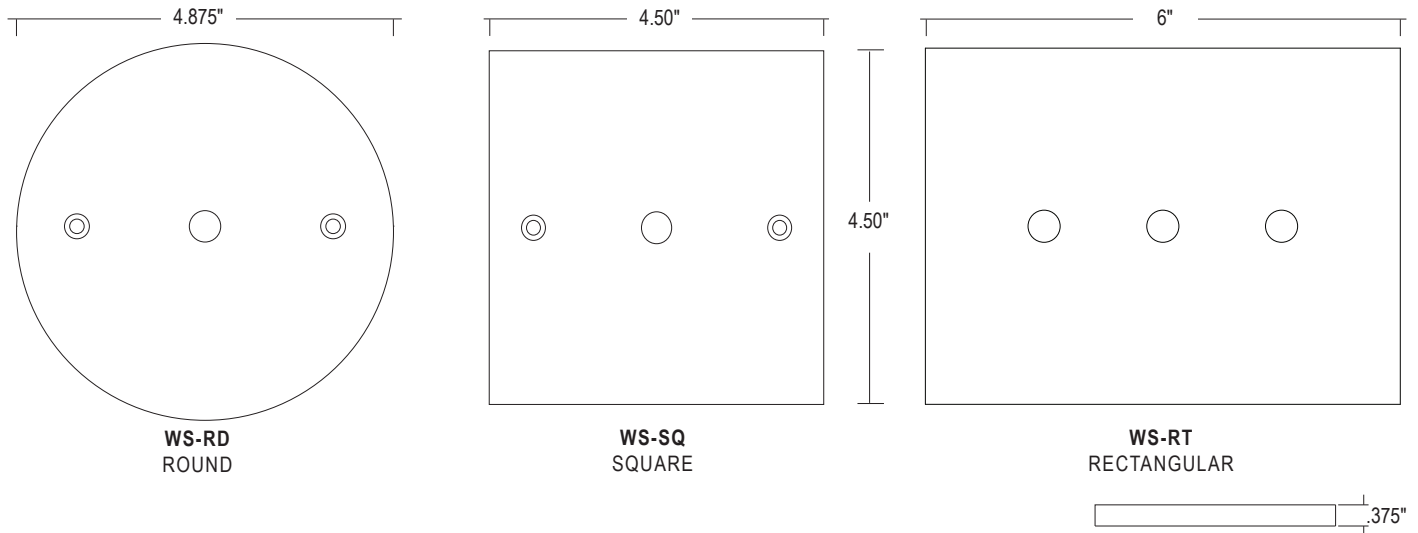
SPECIFICATION GRADE
CAST ALUMINUM



SPECIFICATION GRADE
FORMED STEEL

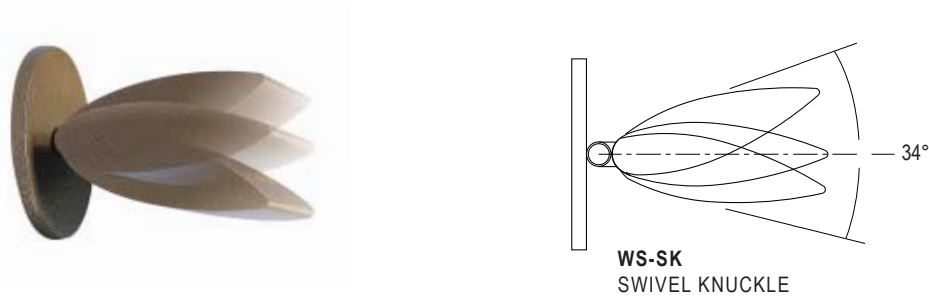
WALL SCONCE BACKPLATES

OUR WALL SCONCE FIXTURES COME STANDARD WITH ROUND, SQUARE OR RECTANGULAR BACKPLATES IN MATCHING POWDERCOAT FINISHES



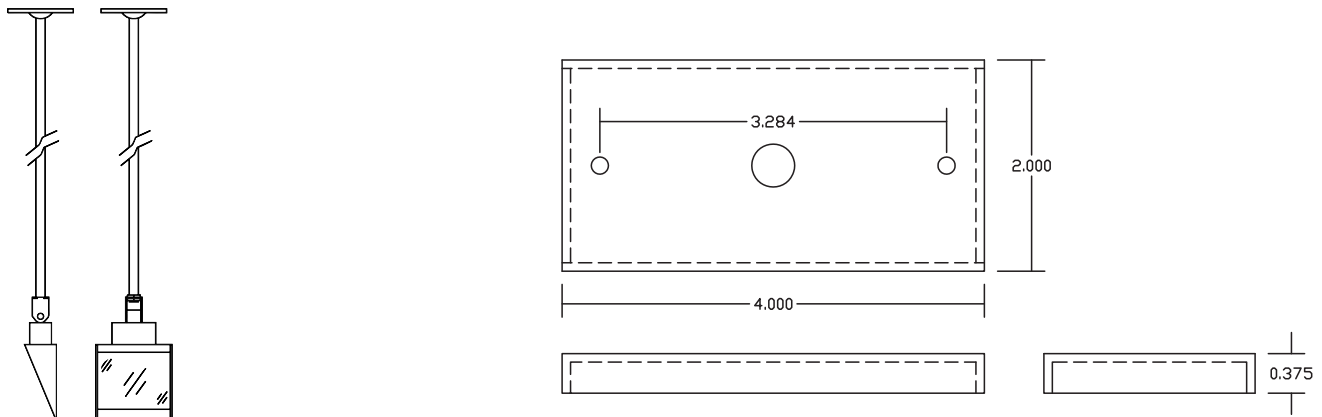
SWIVEL KNUCKLES

OUR OPTIONAL SWIVEL KNUCKLE ALLOWS FOR 34° ADJUSTMENT (17° UP OR DOWN) FOR OPTIMUM LIGHT DIRECTION



CUSTOMIZATION

CUSTOM ACCESSORIES ARE AVAILABLE INCLUDING STEMS, SHIELDING, SHROUDS AND BACKPLATES. PLEASE CONSULT THE FACTORY ON YOUR CUSTOM DESIGNED PROJECT.



	ADJUSTMENTS		BACKPLATES	
	SWIVEL KNUCKLE		STANDARD BACKPLATE	OPTIONAL BACKPLATE
WEDGE™				
WS-6215-HAL	WS-SK		WS-RD	WS-SQ
WS-6215-LED-Z10	WS-SK		WS-RD	WS-SQ
WS-6215-LED-Z10-DW	WS-SK		WS-RD	WS-SQ
WS-6215-LED-ELV-1	WS-SK		WS-RD	WS-SQ
WS-6215-LED-ELVT-1-DW	WS-SK		WS-RD	WS-SQ
VARIAL™				
WS-6230-HAL	INCL.		WS-RD	WS-SQ
WS-6230-LED-ELV-1	INCL.		WS-RD	WS-SQ
WEDGE LENS™				
WS-7215-HAL	WS-SK		WS-SQ	WS-RD
WS-7215-LED-ELV-1	WS-SK		WS-SQ	WS-RD
DOUBLE WEDGE LENS™				
WS-7230-HAL	WS-SK		WS-RT	N/A
WS-7230-LED-ELV-1	WS-SK <i>(requires 2)</i>		WS-RT	N/A
ADA WEDGE™				
WS-8815-HAL	N/A		WS-RD-LP	N/A

	DIFFUSERS		LENSES				
	SAW TOOTH DIFFUSER		CLEAR TEMPERED	FROSTED TEMPERED	CLEAR MICRO PRISMATIC	FROSTED MICRO PRISMATIC	CLEAR DIAMOND PATTERN
WEDGE™							
WS-6215-HAL	WS-SD-S1	WS-L-S1-CL	WS-L-S1-FR	N/A	N/A	N/A	
WS-6215-LED-Z10	WS-SD-S2	N/A	N/A	WS-L-S2-MP-CL	WS-L-S2-MP-FR	N/A	
WS-6215-LED-Z10-DW	WS-SD-S2	N/A	N/A	WS-L-S2-MP-CL	WS-L-S2-MP-FR	N/A	
WS-6215-LED-ELV-1	WS-SD-S2	N/A	N/A	WS-L-S2-MP-CL	WS-L-S2-MP-FR	N/A	
WS-6215-LED-ELVT-1-DW	WS-SD-S2	N/A	N/A	WS-L-S2-MP-CL	WS-L-S2-MP-FR	N/A	
VARIAL™							
WS-6230-HAL	WS-SD-S1	WS-L-S1-CL	WS-L-S1-FR	N/A	N/A	N/A	
WS-6230-LED-ELV-1	WS-SD-S2	N/A	N/A	WS-L-S2-MP-CL	WS-L-S2-MP-FR	N/A	
WEDGE LENS™							
WS-7215-HAL	WS-SD-S3	WS-L-S3-CL	WS-L-S3-FR	WS-L-S3-MP-CL	WS-L-S3-MP-FR	WS-L-S3-DP-CL	
WS-7215-LED-ELV-1	WS-SD-S3	N/A	N/A	WS-L-S3-MP-CL	WS-L-S3-MP-FR	WS-L-S3-DP-CL	
DOUBLE WEDGE LENS™							
WS-7230-HAL	WS-SD-S4	WS-L-S4-CL	WS-L-S4-FR	WS-L-S4-MP-CL	WS-L-S4-MP-FR	WS-L-S4-DP-CL	
WS-7230-LED-ELV-1	WS-SD-S4	N/A	N/A	WS-L-S4-MP-CL	WS-L-S4-MP-FR	WS-L-S4-DP-CL	
ADA WEDGE™							
WS-8815-HAL	WS-SD-S1	WS-L-S1-CL	WS-L-S1-FR	N/A	N/A	N/A	