

GET A QUOTE >



BW8

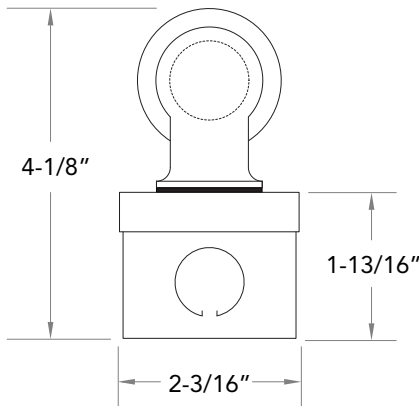
type:

LINEAR T8 FLUORESCENT

wet listed T8 fluorescent fixture

- SPECIFICATIONS |**
- Fully assembled housing is formed and welded, 20 ga. steel, chemically treated to resist corrosion and enhance paint adhesion
 - Standard finish is high reflectance white powder coat, applied post production
 - Knock-outs accept standard electrical fittings (by others)
 - Gasketed lamp holders
 - Available for one T8 17W, 25W, 32W, 40W linear fluorescent lamps
 - Standard universal voltage (120V-277V) electronic high power factor ballast is pre-wired to the lamp holders
 - Dimming and emergency battery back up options available **(consult factory for availability and system compatibility)**
 - I.P. 65 rated
 - UL Listed
 - IBEW manufactured and labeled
 - Made in the U.S.A.

PROFILE



SPECIFICATION / ORDER FORMAT						DIMENSIONAL INFO.
model no.	lamp position	wattage - lamp	voltage	wiring method	options	overall length
BW8	-1T	17 - 17w T8	/UNV -	/RS	Dimming - (consult factory)	25-5/16"
		25 - 25w T8	120V-277V		/EB - emergency ballast	37-5/16"
		32 - 32w T8			(consult factory)	49-5/16"
		40 - 40w T8			/CU - custom finish	61-5/16"
					(consult factory)	
					/RC - -20°F / -30°C	
					starting temperature	