

Par 38 Metal Halide

K2 SERIES™ FLOODLIGHT

PROJECT:	
TYPE:	
CATALOG NUMBER:	
SOURCE:	
NOTES:	

CATALOG NUMBER LOGIC

Example: K2 - PAR3870 - 66 - BZP - 9 - 11 - A

Series K2 - K2 Series™ Floodlight

Source PAR3870 - PAR38 Metal Halide (70W)
PAR38100 - PAR38 Metal Halide (100W)
PAR38150 - PAR38 Metal Halide (150W)

Lamp Type 66

Finish BZP

Configure Ballast Housing Separately Ballast Housing Required
INTEGRAL BALLAST HOUSINGS: HP2 - HP2 Housing PM3 - Universal Power Module 3 PM3D - Universal Power Module 3 Dual PCII - Power Canopy II PCIII - Power Canopy III PPII - Power Pipe II TMB - Pole Mount or Tenon Mount
REMOTE BALLAST HOUSINGS: HP2RM - HP2 Remote Housing PM3RM - Universal Power Module 3 Remote PM3DRM - Universal Power Module 3 Dual Remote RM - Remote Wall Mount DRM - Dual Remote Wall Mount

Standard Finish

Powder Coat Color	Satin	Wrinkle
Bronze	BZP	BZW
Black	BLP	BLW
White (Gloss)	WHP	WHW
Aluminum	SAP	—
Verde	—	VER

Premium Finish

ABP Antique Brass Powder	CMG Cascade Mountain Granite	RMG Rocky Mountain Granite
AMG Aleutian Mountain Granite	CRI Cracked Ice	SDS Sonoran Desert Sandstone
AQW Antique White	CRM Cream	SMG Sierra Mountain Granite
BCM Black Chrome	HUG Hunter Green	TXF Textured Forest
BGE Beige	MDS Mojave Desert Sandstone	WCP Weathered Copper
BPP Brown Patina Powder	NBP Natural Brass Powder	WIR Weathered Iron
CAP Clear Anodized Powder	OCP Old Copper	<i>Also available in RAL Finishes See submittal SUB-1439-00</i>

Lens Type 9 - Clear (Standard) 10 - Spread Lens* 12 - Soft Focus Lens* 13 - Rectilinear Lens*

Shielding 11 - Honeycomb Baffle*
*Accommodates up to 2 Lens/Shielding media

Cap Style A - 45° B - 90° C - Flush D - 45° without Weep Hole (Interior Use Only) E - 90° without Weep Hole (Interior Use Only)

SOURCE DATA

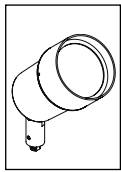
BK No.	Lamp Watts	Description	Rated Life	Center Beam Candlepower	Beam Angle	Beam Type
66	70	70PAR38/MH/SP	7,500	28,000	15°	Spot
67	70	70PAR38/MH/FL	7,500	16,000	30°	Flood
68	70	70PAR38/MH/WFL	7,500	4,000	65°	Wide Flood
69	100	100PAR38/MH/SP	7,500	40,000	15°	Spot
70	100	100PAR38/MH/FL	7,500	21,000	30°	Flood
71	100	100PAR38/MH/WFL	7,500	6,000	65°	Wide Flood
72	150	150PAR38/MH/SP	8,500	34,000	20°	Spot
73	150	150PAR38/MH/FL	8,500	17,000	35°	Flood
74	150	150PAR38/MH/WFL	8,500	7,500	65°	Wide Flood

B-K LIGHTING

40429 Brickyard Drive • Madera, CA 93636 • USA
 559.438.5800 • FAX 559.438.5900
 www.bklighting.com • info@bklighting.com

SUBMITTAL DATE
 3-27-14

DRAWING NUMBER
 SUB-1212-01



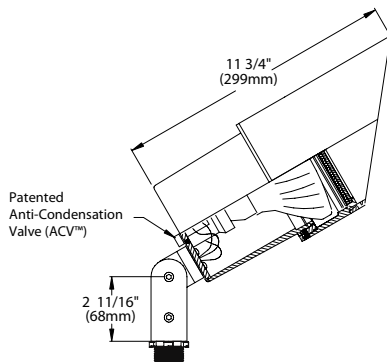
Par 38 Metal Halide

K2 SERIES™ FLOODLIGHT

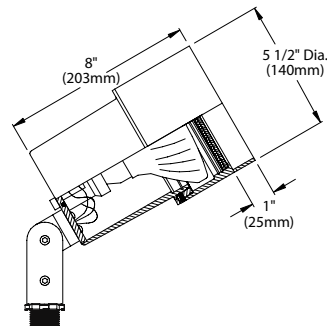
PROJECT:

TYPE:

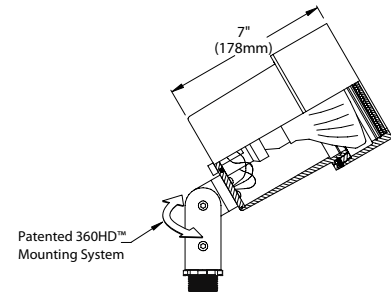
"A/D" CAP



"B/E" CAP



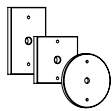
"C" CAP



All dimensions indicated on this submittal are nominal. Contact Technical Sales if you require more stringent specifications.

Accessories (Configure separately)

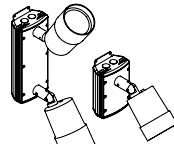
Mounting:



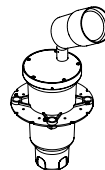
Canopies



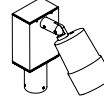
Power Canopy™



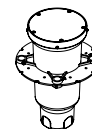
PM3D & PM3



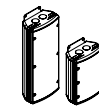
HP2



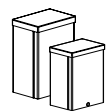
TMB



HP2RM



PM3DRM & PM3RM



DRM & RM

Ballast Housings (Configure separately)

Ballasts:

SPECIFICATIONS

GreenSource Initiative™

Metal and packaging components are made from recycled materials. Manufactured using renewable solar energy, produced onsite. Returnable to manufacturer at end of life to ensure cradle-to-cradle handling. Packaging contains no chlorofluorocarbons (CFC's). Use of this product may qualify for GreenSource efficacy and recycling rebate(s). Consult www.bklighting.com/greensource for program requirements.

Materials

Furnished in Copper-Free Aluminum (Type 6061-T6).

Body

Fully machined. Unibody design provides enclosed, water-proof wireway and integral heat sink for maximum component life. Integral knuckle for maximum mechanical strength. High temperature, silicone 'O' Ring provides water-tight seal.

Knuckle

Patented 360HD™ Mounting System features a mechanical taper-lock, which allows a full 180° vertical adjustment without the use of serrated teeth, which inherently limit aiming. High temperature, silicone 'O' Ring provides water-tight seal and compressive resistance to maintain fixture position. Design withstands 73 lb. static load prior to movement to ensure decades of optical alignment. 1/2" pipe thread for mounting. Biaxial source control additionally provides 360° horizontal rotation in addition to vertical adjustment. 'Aim-And-Lock' Technology allows precision adjustment without the redundant tightening and loosening of knuckle screw.

Cap

Fully machined. Accommodates [2] lens or louver media. Choose from 45° cutoff ('A' or 'D'), 1" deep bezel with 90° cutoff ('B' or 'E') or flush lens ('C') cap styles. 'A' and 'B' caps include weep-hole for water and debris drainage. 'D' and 'E' caps exclude weep-hole and are for interior use only.

Lens

Shock resistant, tempered, glass lens is factory adhered to fixture cap and provides hermetically sealed optical compartment.

Source

For use with 150 watt maximum, Par38 metal halide lamp.

Water Management

Patented Anti-Condensation Valve (ACV™) vacuum seals optical chamber and eliminates internal condensation. Spring loaded exterior mounted ACV™ button facilitates removal of vacuum sealed cap for lamp service. System re-initiates vacuum seal through normal fixture operation.

Ballast

For use with remote metal halide ballast. See ballast technical data to determine lamp-to-ballast distance and wiring requirements prior to detailing field installation of any remote wiring.

Socket

Specification grade ceramic body lamp holder rated for 4kV starting pulse. Medium base, nickel-plated copper alloy lamp grip and screw shell. Corrosion resistant coil spring under center contact.

Wiring

Teflon® coated wire, 18AWG, 600V, 250° C rated and certified to UL 1659 standard. Leads extended 6" beyond knuckle.

Hardware

Tamper-resistant, stainless steel hardware. 360HD™ hardware is additionally black oxide treated for additional corrosion resistance.

Finish

StarGuard®, our exclusive RoHS compliant, 15 stage chromate-free process cleans and conversion coats aluminum components prior to application of Class 'A' TGIC polyester powder coating.

Warranty

5 year limited warranty.

Certification and Listing

UL Listed. Certified to CAN/CSA/ANSI Standards. RoHS compliant. Suitable for indoor or outdoor use. Suitable for use in wet locations. Additionally suitable for installation within 4' of the ground. IP66 Rated. Made in USA.



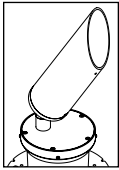
*Teflon is a registered trademark of DuPont Corporation.

B-K LIGHTING

40429 Brickyard Drive • Madera, CA 93636 • USA
559.438.5800 • FAX 559.438.5900
www.bklighting.com • info@bklighting.com

SUBMITTAL DATE
3-27-14

DRAWING NUMBER
SUB-1212-01



Precision²
OF THE NAME OF THE COMPANY

In-Grade. Specify fixture separately.

HP²™ Ballast Housing

PROJECT:	
TYPE:	
CATALOG NUMBER:	
SOURCE:	
NOTES:	

CATALOG NUMBER LOGIC



Example

HP2 - H35E - 120 - GM-R

Remote Ballast Housing

HP2 - Remote In-Grade (Flush) *(specify fixture separately)*

Ballast Type

- | | |
|--------------------------------|-----------------------------------|
| H20E - (20W) Electronic | H70E - (70W) Electronic |
| H35E - (35W) Electronic | H100E - (100W) Electronic |
| H50E - (50W) Electronic | H150E - (150W) Electronic* |
- *H150E Available in 120 VAC or 277 VAC only.

Input Voltage

- 120** - 120 Volt
 - 277** - 277 Volt
 - MT** - 120/208/240/277 Volt Multi Tap*
- *Electronic Ballast Only

Option

- GM-R** - Round Grout Mask
- GM-S** - Square Grout Mask

BALLAST ELECTRICAL DATA

BALLAST	TYPE	INPUT VOLTS	INPUT WATTS	INPUT CURRENT	CIRCUIT TYPE	MINIMUM START TEMPERATURE
H20E*	Electronic	120	24	0.20	HPF	-5° F
H20E*	Electronic	277	24	0.09	HPF	-5° F
H35E*	Electronic	120	44	0.39	HPF	-5° F
H35E*	Electronic	277	44	0.17	HPF	-5° F
H70E*	Electronic	120	79	0.67	HPF	-5° F
H70E*	Electronic	277	79	0.29	HPF	-5° F
H100E*	Electronic	120	110	0.90	HPF	-5° F
H100E*	Electronic	277	110	0.41	HPF	-5° F
H150E*	Electronic	120	185	1.90	HX-HPF	-22° F
H150E*	Electronic	277	173	0.75	HX-HPF	-22° F

***Ballast Manufacturer's requirement: Wire used must only be 18 gauge, SF2 or SFF2, and be in a dedicated metal conduit of 1/2" I.D. Minimum, per lamp.**

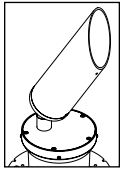
B-K LIGHTING

40429 Brickyard Drive • Madera, CA 93636 • USA
 559.438.5800 • FAX 559.438.5900
 www.bklighting.com • info@bklighting.com

SUBMITTAL DATE
 5-28-14

DRAWING NUMBER
 SUB-1215-02

THIS DOCUMENT CONTAINS PROPRIETARY INFORMATION OF B-K LIGHTING, INC. AND ITS RECEIPT OR POSSESSION DOES NOT CONVEY ANY RIGHTS TO REPRODUCE, DISCLOSE ITS CONTENTS, OR TO MANUFACTURE, USE OR SELL ANYTHING IT MAY DESCRIBE. REPRODUCTION, DISCLOSURE OR USE WITHOUT SPECIFIC WRITTEN AUTHORIZATION OF B-K LIGHTING, INC. IS STRICTLY FORBIDDEN.



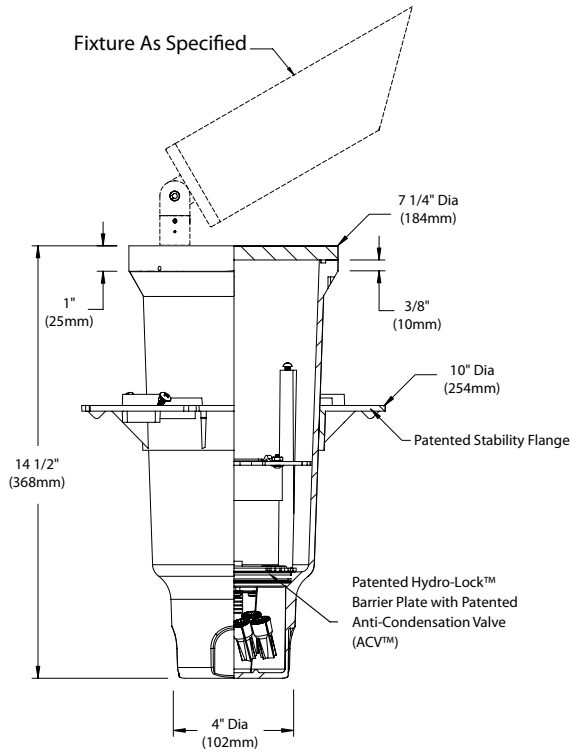
Precision²
IP-68 Rated Fixtures Lighting

In-Grade. Specify fixture separately.

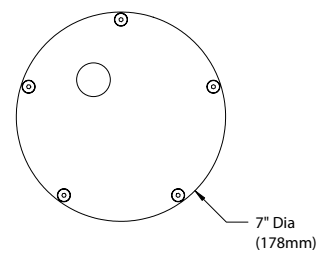
HP²™ Ballast Housing

PROJECT:	
TYPE:	

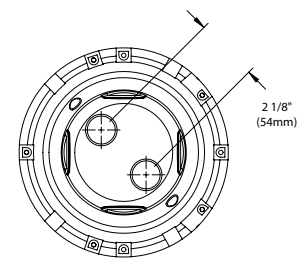
SIDE VIEW



FACEPLATE



BOTTOM VIEW



All dimensions indicated on this submittal are nominal. Contact Technical Sales if you require more stringent specifications.

SPECIFICATIONS

GreenSource Initiative™
Metal and packaging components are made from recycled materials. Manufactured using renewable solar energy, produced onsite. Returnable to manufacturer at end of life to ensure cradle-to-cradle handling. Packaging contains no chlorofluorocarbons (CFC's). Use of this product may qualify for GreenSource efficacy and recycling rebate(s). Consult www.bklighting.com/greensource for program requirements.

Materials
Furnished in Copper-Free Aluminum (Type 6061-T6), Brass (Type 360) or Stainless Steel (Type 304).

Faceplate
Solid, 1/2" machined faceplate with (5) black oxidized, captive, stainless steel mounting screws. Faceplate installs flush to grade. Specify fixture separately. Material to match fixture.

Housing
Corrosion-free composite, made from high strength, thermo-formed, sheet molded polyester compound. Glass reinforced, flame retardant and UV stabilized. (2) Bottom-Entry, 3/4" NPT female conduit entries with knockout plugs and (4) side flats for 1/2" or 3/4" conduit adapters.

Stability Flange
Patented, corrosion-free composite flange projects into installation sub-strate to reinforce housing stability. Integral REBAR saddles simplify installation onto concrete form. (4) Orthogonal bosses permit use of 1/2" PVC conduit or EMT to simplify vertical position and leveling of housing. Pre-set self-tapping screws anchor housing at proper elevation.

Installation
Integral, copper-free aluminum concrete pour collar (CPC), furnished in Black finish, permits for direct burial installation in soil or concrete. Consult Drainage Installation Guide for In-Grade Fixtures (DIG-IT) for compliance with proper soil preparation and drainage requirements prior to installation. For use with remote metal halide fixture (specified separately). Suitable for walk-over and drive-over applications to 35,000 lbs.

Water Management
IP-68 rated, vacuum sealed enclosure. Patented Anti-Condensation Valve (ACV™) eliminates condensation from ballast chamber. High temperature silicone 'O' Ring at faceplate. Patented HydroLock® technology provides fail safe water barrier between junction box and interior components. Anti-siphon valve (ASV™) prevents "wicking" through conductor insulation.

Electronic Ballast
High power factor, integral, electronic ballast. Multi-Tap (120/208/240/277V) primary voltage 50/60Hz. H150E available in 120V, or 277V primary voltage. 50/60Hz. Integral, removable gear tray with quick disconnect and carrying handle.

Wiring / Connectors
Teflon® coated wire, 18 gauge, 600V, 250°C rated and certified to UL1659 standard. Gear tray quick disconnects. Patented HydroLock® with anti-siphon valve (ASV™) wireway. (5) Water-tight connectors supplied for branch circuit and lamp connection. Maximum (2) #10 & (1) #18. Minimum (1) #12 & (1) #18 per connector.

Finish
StarGuard®, our exclusive RoHS compliant, 15 stage chromate-free process cleans and conversion coats aluminum components prior to application of Class 'A' TGIC polyester powder coating. Brass components are available in powder coat or handcrafted metal finish. Stainless steel components are available in handcrafted metal finish. (Brushed finish for interior use only). Finish to match fixture.

Warranty
5 year limited warranty.

Listings
UL Listed. Certified to CAN/CSA/ANSI Standards. IP-68 Rated. RoHS compliant. Made in USA.



*Teflon is a registered trademark of DuPont Corporation.

B-K LIGHTING	40429 Brickyard Drive • Madera, CA 93636 • USA 559.438.5800 • FAX 559.438.5900 www.bklighting.com • info@bklighting.com	SUBMITTAL DATE	DRAWING NUMBER
		5-28-14	SUB-1215-02