

Precision²
OF THE B-K LIGHTING GROUP

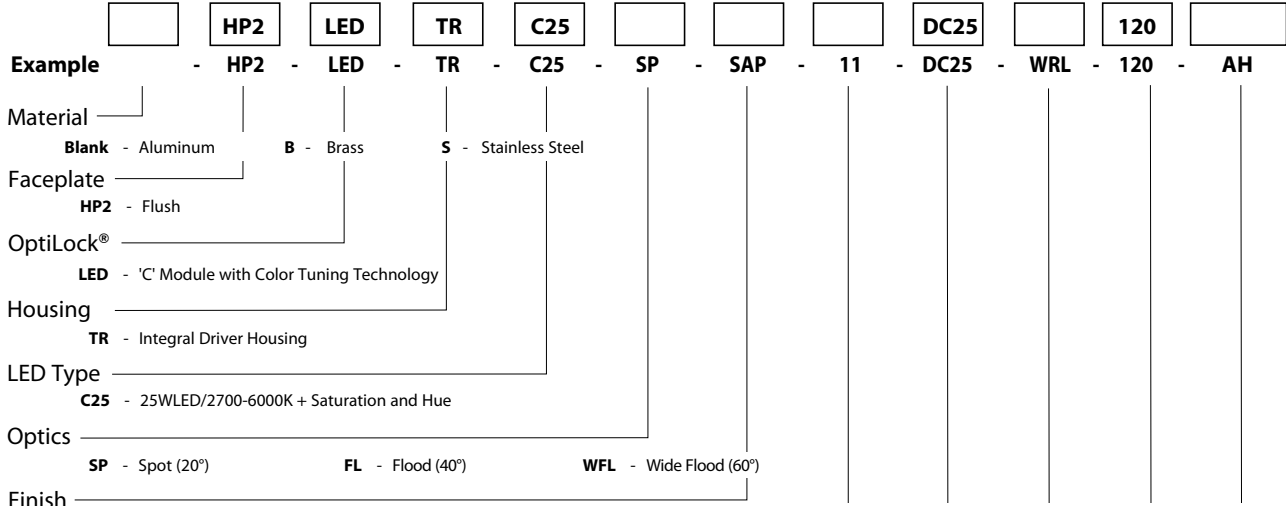
BKSSL
SOLID STATE LIGHTING

Tunable White + Saturation & Hue



PROJECT:	
TYPE:	
CATALOG NUMBER:	
LAMP(S):	
NOTES:	

CATALOG NUMBER LOGIC



Aluminum & Brass Faceplates

Powder Coat Color	Satin	Wrinkle
Bronze	BZP	BZW
Black	BLP	BLW
White (Gloss)	WHP	WHW
Aluminum	SAP	—
Verde	—	VER

Brass Faceplates

Machined	MAC
Polished	POL
Mitique™	MIT

Stainless Faceplates

Machined	MAC
Polished	POL
Brushed	BRU <small>Interior use only.</small>

Premium Finish

ABP Antique Brass Powder	CMG Cascade Mountain Granite	RMG Rocky Mountain Granite
AMG Aleutian Mountain Granite	CRI Cracked Ice	SDS Sonoran Desert Sandstone
AQW Antique White	CRM Cream	SMG Sierra Mountain Granite
BCM Black Chrome	HUG Hunter Green	TXF Textured Forest
BGE Beige	MDS Mojave Desert Sandstone	WCP Weathered Copper
BPP Brown Patina Powder	NBP Natural Brass Powder	WIR Weathered Iron
CAP Clear Anodized Powder	OCP Old Copper	<i>Also available in RAL Finishes See submittal SUB-1439-00</i>

Accessory

10 - Spread Lens **11** - Honeycomb Baffle **12** - Soft Focus Lens **13** - Rectilinear Lens

Driver Type

DC25 - 25W Driver

Control

010 - 0-10V Wired Installation (requires 2 sets of 0-10V controls. Sold separately)
WRL - Wireless Control (requires Light Commissioning Tool. Sold separately)

Input Voltage

120 - 120 Vac Input **277** - 277 VAC Input

Option

AH - Accessory Holder (Accommodates up to 2 Media)
DG - Dome Glass Lens (Replaces Flat Glass. Not Driveover Rated)
GM-R - Round Grout Mask

GM-S - Square Grout Mask
GS - Glare Shield*
HD - Half Dome*
RG - Rock Guard*

RO - Rock Guard with Optical Opening*
TC - Traction Control Lens (Replaces Flat Glass)

*Furnished in copper free aluminum.
Finish to Match Faceplate. Dome lens included.

DRIVER ELECTRICAL DATA

TYPE	AC INPUT RANGE	Frequency Hz	POWER FACTOR	THD	OPER. AMBIENT TEMPERATURE
DC25	120-277	50/60	>0.9	≤20%	-40° C ~ 60°C

LM79 DATA

BK No.	Lumens (Source)	CCT (Typ.)	CRI (Ra. @3000K)	CRI (R9@3000K)	Input Watts (Varies through tunable range)
C25	1500	2700-6000K	93	90K	25W

L70 DATA

Minimum Rated Life (hrs.) 70% of initial lumens (L70)
50,000

OPTICAL DATA

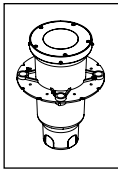
Beam Type	Angle
Spot	20°
Flood	40°
Wide Flood	60°

B-K LIGHTING

40429 Brickyard Drive • Madera, CA 93636 • USA
559.438.5800 • FAX 559.438.5900
www.bklighting.com • info@bklighting.com

RELEASED
03-12-15

DRAWING NUMBER
SUB-2031-00



Precision²
PLANT GROWN LIGHTING

BKSSL[®]
SOLID STATE LIGHTING

Tunable White + Saturation & Hue



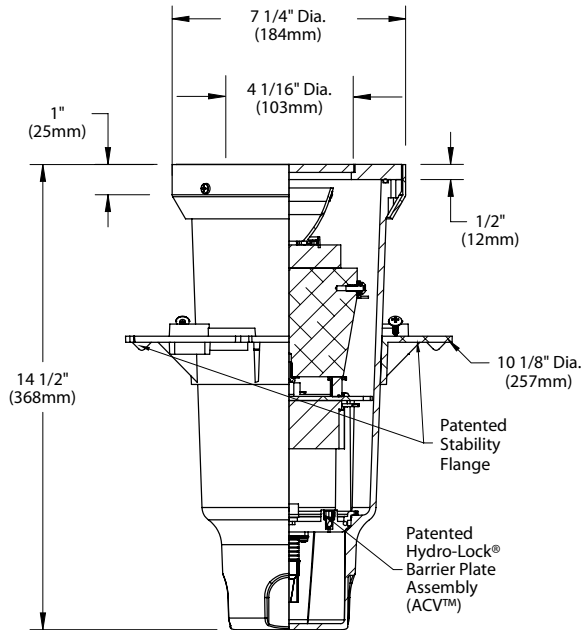
LFI 2013 Innovation Award Winner

HP²

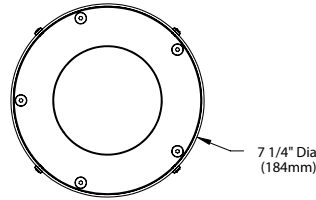
PROJECT:

TYPE:

SIDE VIEW

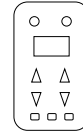


TOP VIEW

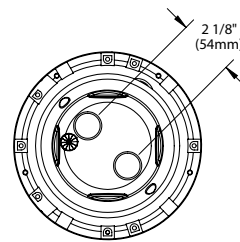


LCT WIRELESS REMOTE

Please order separately.



BOTTOM VIEW



All dimensions indicated on this submittal are nominal.
Contact Technical Sales if you require more stringent specifications.

SPECIFICATIONS

GreenSource Initiative™

Metal and packaging components are made from recycled materials. Manufactured using renewable solar energy, produced on site. Returnable to manufacturer at end of life to ensure cradle-to-cradle handling. Packaging contains no chlorofluorocarbons (CFC's). Use of this product may qualify for GreenSource efficacy and recycling rebate(s). Consult www.bklighting.com/greensource for program requirements.

Fixture Housing

Corrosion-free composite, made from high strength, thermo-formed, sheet molded polyester compound. Glass reinforced, flame retardant and UV stabilized. (2) bottom-entry, 3/4" NPT female conduit entries with knockout plugs and (4) side flats for 1/2" or 3/4" conduit adapters.

Patented Stability Flange

Corrosion-free composite flange projects into installation sub-strate to reinforce housing stability. Integral REBAR saddles simplify installation onto concrete form. (4) Orthogonal bosses permit use of 1/2" PCV conduit or EMT to simplify vertical position and leveling of housing. Pre-set self-tapping screws anchor housing at proper elevation.

Aiming

Dual axis OptiLock® stainless steel aiming bracket rotates 360° and provides vertical adjustment up to 15° from nadir. Positive lock action ensures optical orientation.

BKSSL®

Integrated solid state system is scalable for field upgrade. Modular design with electrical quick disconnects permit field maintenance. Minimum 50,000 hour rated life at 70% of initial lumens (L70). BKSSL technology provides long life, significant energy reduction and exceptional thermal management.

Tunable White

Dynamically controlled, close tolerance system replicates a wide spectrum of natural white light. Enables continuous modulation from 2700K through 6000K Correlated Color Temperature (+/- 2 SCDM). Dimmable from 5-100% in 1% increments. Precision control of high color values are maintained across the tunable range. Industry-leading Color Rendering Index Performance (Ra Range 92-98. Ra @ 3000K 93. R9 @ 3000K 90).

Saturation and Hue

Provides additional flexibility to add varying levels of saturation and hue to a chosen fixed color point off the Planckian curve. Once a CCT value is selected, the saturation function allows movement away from the black body curve toward fully saturated color in 1% increments. The Hue function permits further refinement by circulating around the chosen color point in 1% increments. Saturation and hue requires the use of a hand-held, wireless light commissioning tool, specified separately.

Installation

Integral, copper-free aluminum concrete pour collar (CPC), furnished in Black finish, permits for direct burial installation in soil or concrete. Consult Drainage Installation Guide for In-Grade Fixtures (DIG-IT) for compliance with proper soil preparation and drainage requirements prior to installation.

Fixtures are controlled using a wireless light commissioning tool, traditional 0-10V industry wired controls, or a hybrid of wired and wireless controls.

0-10V Wired Control

Requires [2] two sets of 0-10V industry wired controls. One 0-10V control provides CCT modulation between 2700K through 6000K in 1% increments. The second 0-10V control enables 5-100% dimming in 1% increments. [2] two sets of control wires wired direct to the fixture.

Wireless Control

Requires hand-held, wireless light commissioning tool, specified separately. Remote operates at 2.4Ghz. Detects all fixtures within range of its wireless network (approx. 10m range). Permits individual on/off control, 5-100% dimming (1% increments), CCT modulation between 2700K through 6000K. Full saturation and hue control enables selection of any single color point off the Planckian curve for dynamic full color output. A copy/paste function permits replication of the current selection to other modules within the wireless network.

Hybrid Control

For 0-10V industry wired installations, the Light Commissioning Tool may also be utilized to select a single color point off the Planckian curve for dynamic full color output with the remaining functions enabled by the 0-10V controls. [2] two sets of control wires wired direct to the fixture.

Optics

Interchangeable OPTIKIT™ modules permit field changes to optical distribution.

Driver Assembly

For use with [1] 1.75A, Class A, constant voltage driver. 120-277VAC (nominal) primary input voltage. 50/60Hz. >0.90 Power Factor, <15.0A in-rush current, ≤20%THD (nominal at 120VAC full load). Output over-voltage, over-current, and short circuit protection with auto recovery. EMC: FCC47CFR Part 15 Class B compliant.

Wiring / Connectors

Teflon® coated wire, 18 gauge, 600V, 250°C rated and certified to UL1659 standard. Features OptiLock® and gear tray quick disconnects. Patented HydroLock® with anti-siphon valve (ASV™) wireway. (3) Water-Tight connectors supplied for line connection. Maximum (2) #10 & (1) #18. Minimum (1) #12 & (1) #18.

Water Management

Self Evacuating Airtight Lamp Module (S.E.A.L.™). IP-68 rated, vacuum sealed enclosure. Patented Anti-Condensation Valve (ACV™) eliminates condensation from optical chamber. High temperature silicone 'O' Ring at faceplate. Patented HydroLock® technology provides fail safe water barrier between junction box and interior components. Anti-siphon valve (ASV™) prevents "wicking" through conductor insulation.

Lens

High heat, shock resistant, tempered 1/4" borosilicate flat glass lens. Suitable for walk-over and drive-over applications to 35,000 lbs.

Faceplate

Solid, 1/2" machined 6061T6 aluminum with (5) black oxide, captive, stainless steel mounting screws. Faceplate options include solid, 1/2" machined brass and solid, 1/2" machined stainless steel.

Finish

StarGuard®, our exclusive RoHS compliant, 15 stage chromate-free process cleans and conversion coats aluminum components prior to application of Class 'A' TGIC polyester powder coating. Brass components are available in powder coat or handcrafted metal finish. Stainless steel components are available in handcrafted metal finish. (Brushed finish for interior use only).

Listings

ETL Listed to ANSI/UL Standard 1598 and Certified to CAN/CSA Standard C22.2 No. 250. IP68 Rated. Made in the USA.



*Teflon is a registered trademark of DuPont Corporation

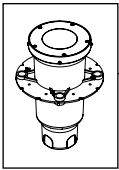
B-K LIGHTING

40429 Brickyard Drive • Madera, CA 93636 • USA
559.438.5800 • FAX 559.438.5900
www.bklighting.com • info@bklighting.com

RELEASED
03-12-15

DRAWING NUMBER
SUB-2031-00

Precision2® and its features are covered in whole or in part by U.S. Patent Nos. 7,033,038; 6,254,258 B1; 7,249,867 B2; 7,370,988 B2; 7,553,042; 7,560,148; and 7,699,489



Precision²
THE POWER OF LIGHT

BKSSL
SOLID STATE LIGHTING

Tunable White + Saturation & Hue



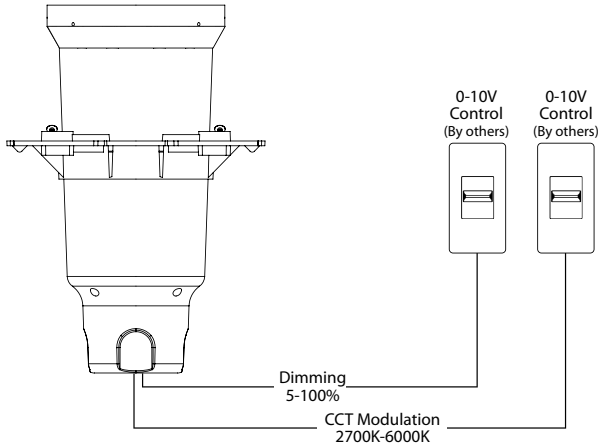
LFI 2013 Innovation Award Winner

HP²

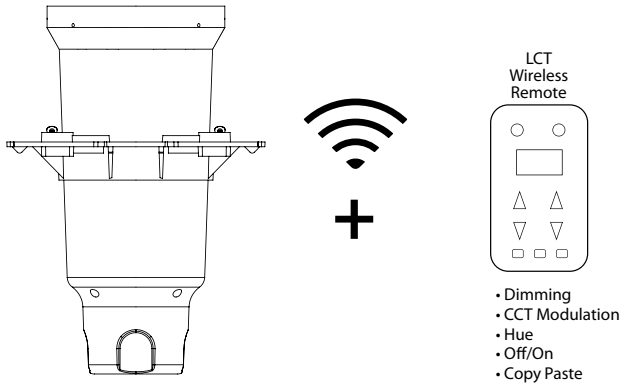
PROJECT:

TYPE:

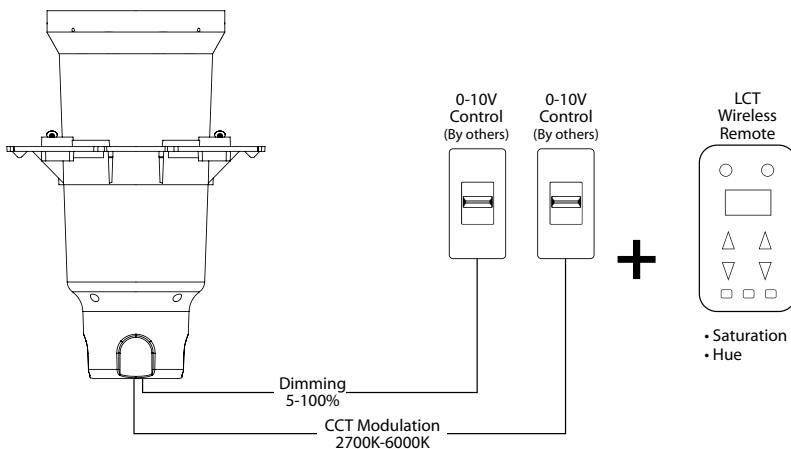
0-10V WIRED CONTROL



WIRELESS REMOTE (WRL)



HYBRID CONTROL



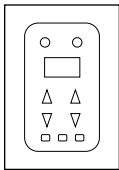
B-K LIGHTING

40429 Brickyard Drive • Madera, CA 93636 • USA
559.438.5800 • FAX 559.438.5900
www.bklighting.com • info@bklighting.com

RELEASED
11-25-14

DRAWING NUMBER
SUB-2031-00

LIGHT COMMISSIONING TOOL

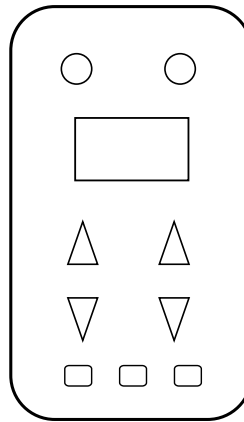
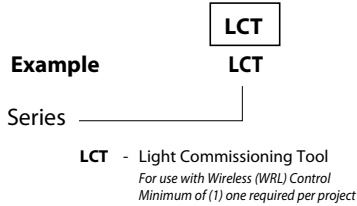


Tunable White + Saturation & Hue



PROJECT:	
TYPE:	
CATALOG NUMBER:	
LAMP(S):	
NOTES:	

CATALOG NUMBER LOGIC



All dimensions indicated on this submittal are nominal.
 Contact Technical Sales if you require more stringent specifications.

SPECIFICATIONS

Light Commissioning Tool

Hand-held, wireless light commissioning tool, specified separately. Remote operates at 2.4Ghz. Detects all fixtures within range of its wireless network (approx. 10m range). Permits individual on/off control, 5-100% dimming (1% increments), CCT modulation between 2700K through 6000K. Full saturation and hue control enables selection of any single color point off the Planckian curve for dynamic full color output. A copy/paste function permits replication of the current selection to other modules within the wireless network.

Hybrid Control

For 0-10V industry wired installations, the Light Commissioning Tool may also be utilized to select a single color point off the Planckian curve for dynamic full color output with the remaining functions enabled by the 0-10V controls.

B-K LIGHTING	40429 Brickyard Drive • Madera, CA 93636 • USA 559.438.5800 • FAX 559.438.5900 www.bklighting.com • info@bklighting.com	RELEASED 12-15-14	DRAWING NUMBER SUB-2055-00
---------------------	---	----------------------	-------------------------------