

Precision²
OF THE BAKERSFIELD AREA

BKSSL[®]
SOLID STATE LIGHTING

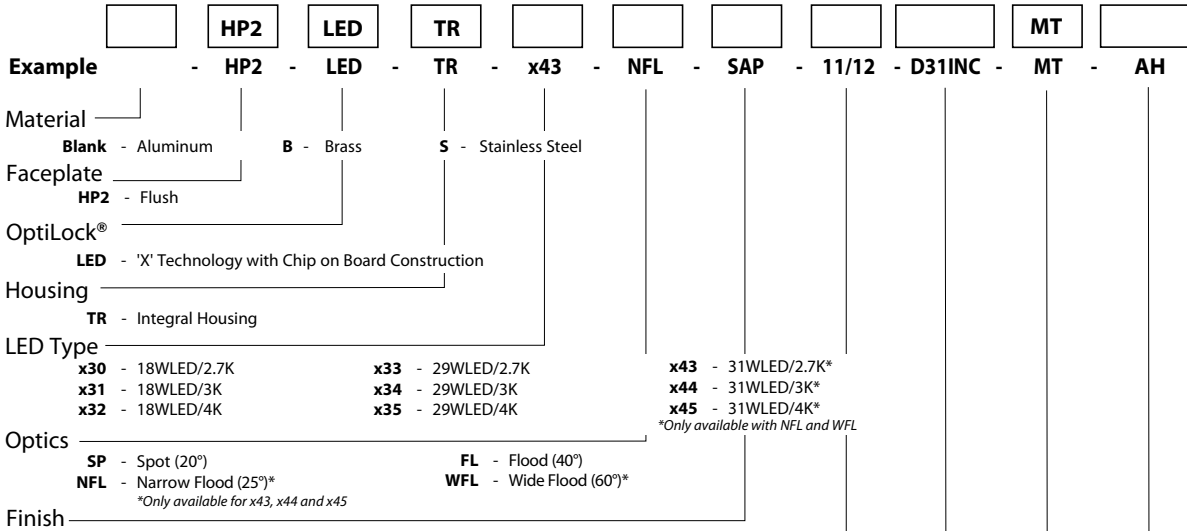
Integral Driver



HP2

PROJECT:	
TYPE:	
CATALOG NUMBER:	
LAMP(S):	
NOTES:	

CATALOG NUMBER LOGIC



Aluminum & Brass Faceplates			Brass Faceplates		Stainless Faceplates			Premium Finish		
Powder Coat Color	Satin	Wrinkle	Machined	MAC	Machined	MAC	ABP	CMG	RMG	
Bronze	BZP	BZW	Polished	POL	Mitique™	MIT	AMG Aleutian Mountain Granite	CRI Cracked Ice	SDS Sonoran Desert Sandstone	
Black	BLP	BLW					AQW Antique White	CRM Cream	SMG Sierra Mountain Granite	
White (Gloss)	WHP	WHW					BCM Black Chrome	HUG Hunter Green	TXF Textured Forest	
Aluminum	SAP	—					BGE Beige	MDS Mojave Desert Sandstone	WCP Weathered Copper	
Verde	—	VER	Brushed	BRU <small>Interior use only.</small>			BPP Brown Patina Powder	NBP Natural Brass Powder	WIR Weathered Iron	
							CAP Clear Anodized Powder	OCP Old Copper	<i>Also available in RAL Finishes See submittal SUB-1439-00</i>	

Accessory Select up to 2. Requires Accessory Holder.

- 11** - Honeycomb Baffle
- 12** - Soft Focus Lens
- 13** - Rectilinear Lens

Driver Type

- D18INC** - 18W Dimming Driver (for use with Incandescent Dimmer. 120V only)
- D29INC** - 29W Dimming Driver (for use with Incandescent Dimmer. 120V only)
- D31INC** - 31W Dimming Driver (for use with Incandescent Dimmer. 120V only)

Input Voltage

- MT** - 120-277 VAC Input

Option

- AH** - Accessory Holder (Accommodates up to 2 Media)
 - DG** - Dome Glass Lens (Replaces Flat Glass. Not Driveover Rated)
 - GM-R** - Round Grout Mask
 - GM-S** - Square Grout Mask
 - GS** - Glare Shield*
 - HD** - Half Dome*
 - RG** - Rock Guard*
 - RO** - Rock Guard with Optical Opening*
 - TC** - Traction Control Lens (Replaces Flat Glass)
- *Furnished in copper free aluminum. Finish to Match Faceplate. Dome lens included.

LM79 DATA

BK No.	Lumens (Source)	CCT (Typ.)	CRI (Ra. Typ.)	Color Consistency	Input Watts (Typ.)
x30	1300	2700K	>80	±40K	18
x31	1300	3000K	>80	±50K	18
x32	1300	4000K	>80	±70K	18
x33	2000	2700K	>80	±40K	29
x34	2000	3000K	>80	±50K	29
x35	2000	4000K	>80	±70K	29
x43	3850	2700K	80	±60K	31
x44	4050	3000K	80	±60K	31
x45	4200	4000K	80	±60K	31

L70 DATA

Minimum Rated Life (hrs.) 70% of initial lumens (L70)
50,000
50,000
50,000
50,000
50,000
50,000
50,000
50,000
50,000
50,000

OPTICAL DATA

Beam Type	Angle	x32 CBCP	x35 CBCP	x45 CBCP
Spot	20°	2899	4222	—
Narrow Flood	25°	—	—	5908
Flood	40°	1270	1878	—
Wide Flood	60°	968	1450	2931

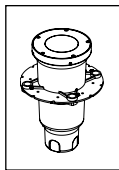
B-K LIGHTING

40429 Brickyard Drive • Madera, CA 93636 • USA
 559.438.5800 • FAX 559.438.5900
 www.bklighting.com • info@bklighting.com

SUBMITTAL DATE
07-16-15

DRAWING NUMBER
SUB-2405-00

THIS DOCUMENT CONTAINS PROPRIETARY INFORMATION OF B-K LIGHTING, INC. AND ITS RECEIPT OR POSSESSION DOES NOT CONVEY ANY RIGHTS TO REPRODUCE, DISCLOSE ITS CONTENTS, OR TO MANUFACTURE, USE OR SELL ANYTHING IT MAY DESCRIBE. REPRODUCTION, DISCLOSURE OR USE WITHOUT SPECIFIC WRITTEN AUTHORIZATION OF B-K LIGHTING, INC. IS STRICTLY FORBIDDEN.



Precision²
THE POWER OF

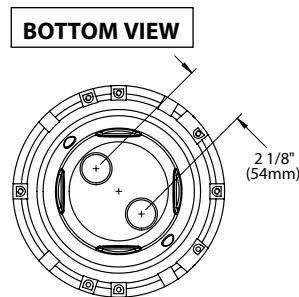
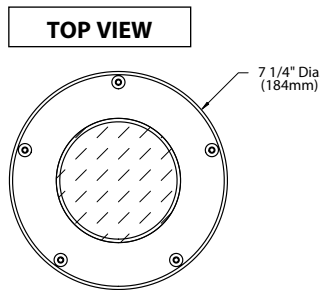
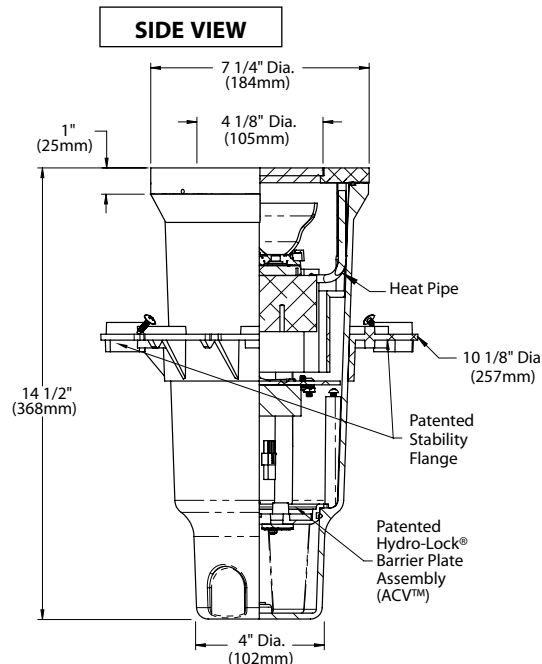
BKSSL[®]
SOLID STATE LIGHTING

Integral Driver



HP²

PROJECT:	
TYPE:	



DRIVER ELECTRICAL DATA

TYPE	AC INPUT RANGE	Frequency Hz	DIMMING	POWER FACTOR*	THD	OPER. AMBIENT TEMPERATURE	DIMMER TYPE	DIMMER RANGE
D18INC	105-305	50/60	YES	>0.94	≤5%	-30° C ~ 50°C	Incandescent	10-100%
D29NC	105-305	50/60	YES	>0.94	≤5%	-30° C ~ 50°C	Incandescent	10-100%
D31INC	105-305	50/60	YES	>0.94	≤5%	-30° C ~ 50°C	Incandescent	10-100%

All dimensions indicated on this submittal are nominal. Contact Technical Sales if you require more stringent specifications.

SPECIFICATIONS

GreenSource Initiative™

Metal and packaging components are made from recycled materials. Manufactured using renewable solar energy, produced on site. Returnable to manufacturer at end of life to ensure cradle-to-cradle handling. Packaging contains no chlorofluorocarbons (CFC's). Use of this product may qualify for GreenSource efficacy and recycling rebate(s). Consult www.bklighting.com/greensource for program requirements.

Fixture Housing

Corrosion-free composite, made from high strength, thermo-formed, sheet molded polyester compound. Glass reinforced, flame retardant and UV stabilized. (2) bottom-entry, 3/4" NPT female conduit entries with knockout plugs and (4) side flats for 1/2" or 3/4" conduit adapters.

Patented Stability Flange

Corrosion-free composite flange projects into installation sub-strate to reinforce housing stability. Integral REBAR saddles simplify installation onto concrete form. (4) Orthogonal bosses permit use of 1/2" PCV conduit or EMT to simplify vertical position and leveling of housing. Pre-set self-tapping screws anchor housing at proper elevation.

Aiming

Dual axis heat sink system rotates 360° and provides vertical adjustment up to 15° from nadir. Positive lock action ensures optical orientation.

BKSSL[®]

Integrated solid state system with 'X' technology is scalable for field upgrade. Modular design with electrical quick disconnects permit field maintenance.

LM-80 certified. Minimum 50,000 hour rated life at 70% of initial lumens (L70). BKSSL[®] technology provides long life, significant energy reduction and exceptional thermal management.

Color Management

Chip on board technology delivers natural white light. Exact color point conformity exceeds ANSI C78.377 standard. Module exceeds 80 CRI (RA>80, R9.16). Color point uniformity 2 SDCM color control for 2700K-4000K CCT.

Optics

Interchangeable OPTIKIT™ modules permit field changes to optical distribution.

Installation

Integral, copper-free aluminum concrete pour collar (CPC), furnished in Black finish, permits for direct burial installation in soil or concrete. Consult Drainage Installation Guide for In-Grade Fixtures (DIG-IT) for compliance with proper soil preparation and drainage requirements prior to installation.

Driver Assembly

For use with [1] 1.05A (D18INC-D31INC), Class A, constant current driver. 120-277VAC (nominal) primary input voltage. 50/60Hz. >0.94 Power Factor, <15.0A in-rush current, 0.25A input current, ≤20%THD (nominal at 120VAC full load). Output over-voltage, over-current, and short circuit protection with auto recovery. EMC: FCC47CFR Part 15 Class B compliant. Dimming driver for use with standard incandescent dimmers. 10-100% range.

Dimming driver for use with standard incandescent dimmers. 10-100% range.

Heat Management

Patent pending heat sink system with Heat Pipe technology. Utilizes copper heat pipes that actively accelerate the heat transfer away from the LED with pure conduction to the exterior of the housing without compromising lumen output. Ensures longer extended lifetime performance of LED. Heat pipe technology adjustable 29W and 31W only. 18W not required.

Wiring / Connectors

Teflon[®] coated wire, 18 gauge, 600V, 250°C rated and certified to UL1659 standard. Features OptiLock[®] and gear tray quick disconnects. Patented HydroLock[®] with anti-siphon valve (ASV™) wireway. (3) Water-Tight connectors supplied for line connection. Maximum (2) #10 & (1) #18. Minimum (1) #12 & (1) #18.

Water Management

Self Evacuating Airtight Lamp Module (S.E.A.L.™). IP-68 rated, vacuum sealed enclosure. Patented Anti-Condensation Valve (ACV™) eliminates condensation from optical chamber. High temperature silicone 'O' Ring at faceplate. Patented HydroLock[®] technology provides fail safe water barrier between junction box and interior components. Anti-siphon valve (ASV™) prevents "wicking" through conductor insulation.

Lens

High heat, shock resistant, tempered 1/4" borosilicate flat glass lens. Suitable for walk-over and drive-over applications to 35,000 lbs.

Faceplate

Solid, 1/2" machined 6061T6 aluminum with (5) black oxide, captive, stainless steel mounting screws. Faceplate options include solid, 1/2" machined brass and solid, 1/2" machined stainless steel.

Finish

StarGuard[®], our exclusive RoHS compliant, 15 stage chromate-free process cleans and conversion coats aluminum components prior to application of Class 'A' TGIC polyester powder coating. Brass components are available in powder coat or handcrafted metal finish. Stainless steel components are available in handcrafted metal finish. (Brushed finish for interior use only).

Listings

ETL Listed to ANSI/UL Standard 1598 and Certified to CAN/CSA Standard C22.2 No. 250. IP68 Rated. Made in the USA.



*Teflon is a registered trademark of DuPont Corporation

B-K LIGHTING	40429 Brickyard Drive • Madera, CA 93636 • USA 559.438.5800 • FAX 559.438.5900 www.bklighting.com • info@bklighting.com	SUBMITTAL DATE	DRAWING NUMBER
		07-16-15	SUB-2405-00

Precision2[®] and its features are covered in whole or in part by U.S. Patent Nos. 7,033,038; 6,254,258 B1; 7,249,867 B2; 7,370,988 B2; 7,553,042; 7,560,148; and 7,699,489