

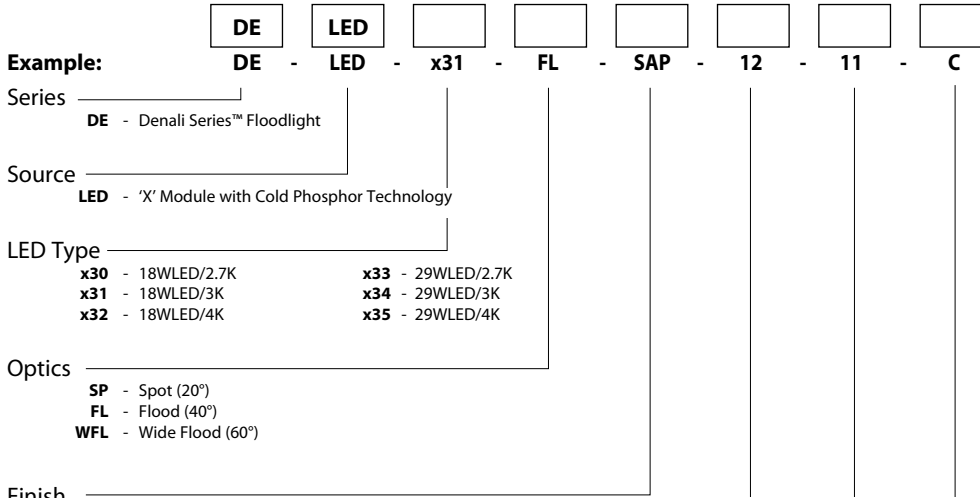
18-29W LED



DENALI SERIES™ FLOODLIGHT

PROJECT:	
TYPE:	
CATALOG NUMBER:	
SOURCE:	
NOTES:	

CATALOG NUMBER LOGIC



Configure Driver Housing Separately Driver Housing Required

INTEGRAL DRIVER HOUSINGS:
HP2 - HP2 Housing
PM2 - Universal Power Module 2
PM2D - Universal Power Module 2 Dual
PC - Power Canopy
PPII - Power Pipe II
TMB - Pole Mount or Tenon Mount
REMOTE DRIVER HOUSINGS:
HP2RM - HP2 Remote Housing
PM2RM - Universal Power Module 2 Remote
PM2DRM - Universal Power Module 2 Dual Remote
RM - Remote Wall Mount
DRM - Dual Remote Wall Mount

Aluminum Finish

Powder Coat Color	Satin	Wrinkle
Bronze	BZP	BZW
Black	BLP	BLW
White (Gloss)	WHP	WHW
Aluminum	SAP	—
Verde	—	VER

Premium Finish

ABP Antique Brass Powder	CMG Cascade Mountain Granite	RMG Rocky Mountain Granite
AMG Aleutian Mountain Granite	CRI Cracked Ice	SDS Sonoran Desert Sandstone
AQW Antique White	CRM Cream	SMG Sierra Mountain Granite
BCM Black Chrome	HUG Hunter Green	TXF Textured Forest
BGE Beige	MDS Mojave Desert Sandstone	WCP Weathered Copper
BPP Brown Patina Powder	NBP Natural Brass Powder	WIR Weathered Iron
CAP Clear Anodized Powder	OCP Old Copper	<i>Also available in RAL Finishes See submittal SUB-1439-00</i>

Lens Type
9 - Clear (Standard) **10** - Spread Lens* **12** - Soft Focus Lens* **13** - Rectilinear Lens*

Shielding
11 - Honeycomb Baffle*
**Accommodates up to 2 Lens/Shielding media*

Cap Style
A - 45° **B** - 90° **C** - Flush **D** - 45° less Weep Hole (Interior Use Only) **E** - 90° less Weep Hole (Interior Use Only)

LM79 DATA

BK No.	Lumens (Source)	CCT (Typ.)	CRI (Ra. Typ.)	Color Consistency	Input Watts (Typ.)
x30	1300	2700K	>80	±40K	18
x31	1300	3000K	>80	±50K	18
x32	1300	4000K	>80	±70K	18
x33	2000	2700K	>80	±40K	29
x34	2000	3000K	>80	±50K	29
x35	2000	4000K	>80	±70K	29

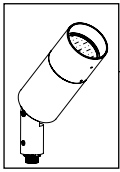
L70 DATA

Minimum Rated Life (hrs.) 70% of initial lumens (L70)
50,000
50,000
50,000
50,000
50,000
50,000

OPTICAL DATA

Beam Type	Angle
Spot	20°
Flood	40°
Wide Flood	60°

B-K LIGHTING	40429 Brickyard Drive • Madera, CA 93636 • USA 559.438.5800 • FAX 559.438.5900 www.bklighting.com • info@bklighting.com	SUBMITTAL DATE 12-16-14	DRAWING NUMBER SUB001113
	<p>THIS DOCUMENT CONTAINS PROPRIETARY INFORMATION OF B-K LIGHTING, INC. AND ITS RECEIPT OR POSSESSION DOES NOT CONVEY ANY RIGHTS TO REPRODUCE, DISCLOSE ITS CONTENTS, OR TO MANUFACTURE, USE OR SELL ANYTHING IT MAY DESCRIBE. REPRODUCTION, DISCLOSURE OR USE WITHOUT SPECIFIC WRITTEN AUTHORIZATION OF B-K LIGHTING, INC. IS STRICTLY FORBIDDEN.</p>		

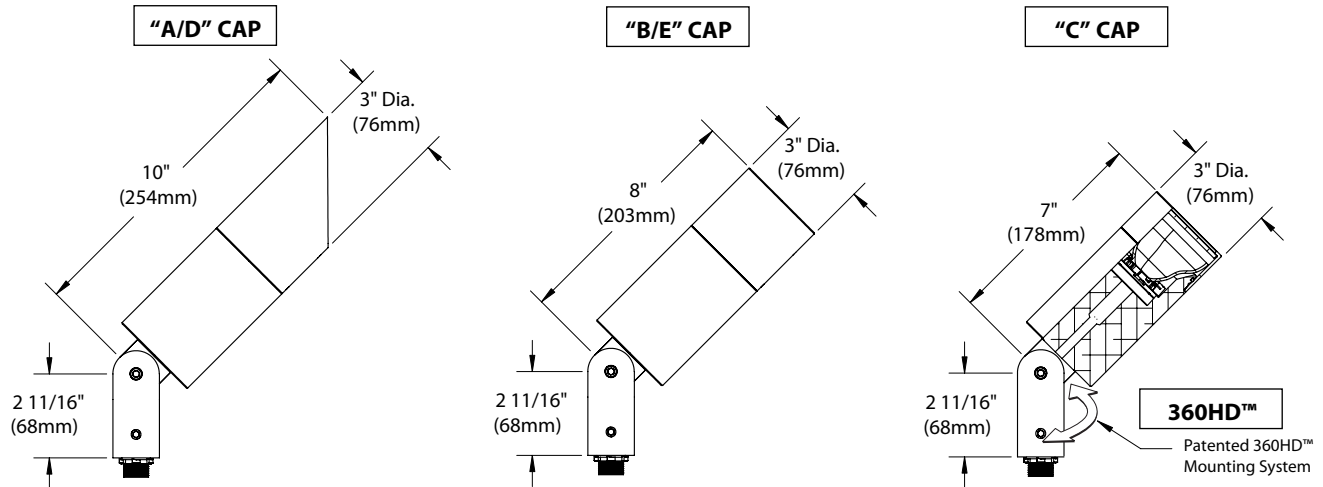


18-29W LED



DENALI SERIES™ FLOODLIGHT

PROJECT:	
TYPE:	

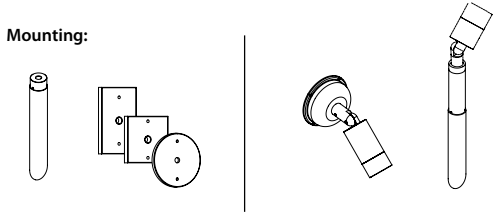


All dimensions indicated on this submittal are nominal. Contact Technical Sales if you require more stringent specifications.

Accessories (Configure separately)

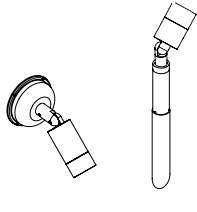
Drivers (Configure separately)

Mounting:



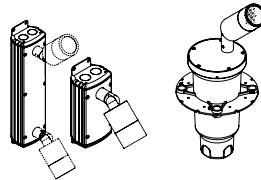
Power Pipe™

Canopies



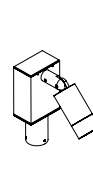
Power Canopy™

Power Pipe™

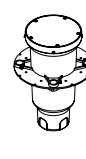


PM2D & PM2

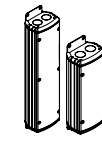
HP2



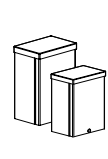
TMB



HP2RM



PM2DRM & PM2RM



RM & DRM

Drivers:

SPECIFICATIONS

GreenSource Initiative™

Metal and packaging components are made from recycled materials. Manufactured using renewable solar energy, produced on site. Returnable to manufacturer at end of life to ensure cradle-to-cradle handling. Packaging contains no chlorofluorocarbons (CFC's). Use of this product may qualify for GreenSource efficacy and recycling rebate(s). Consult www.bklighting.com/greensource for program requirements.

Materials

Furnished in Copper-Free Aluminum (Type 6061-T6).

Body

Fully machined from solid billet. Unibody design provides enclosed, water-proof wireway and integral heat sink for maximum component life. Integral knuckle for maximum mechanical strength. High temperature, silicone 'O' Ring provides water-tight seal.

Knuckle

Patented 360HD™ Mounting System features a mechanical taper-lock, which allows a full 180° vertical adjustment without the use of serrated teeth, which inherently limit aiming. High temperature, silicone 'O' Ring provides water-tight seal and compressive resistance to maintain fixture position. Design withstands 73 lb. static load prior to movement to ensure decades of optical alignment. 1/2" pipe thread for mounting. Biaxial source control additionally provides 360° horizontal rotation in addition to vertical adjustment. 'Aim-And-Lock' Technology allows precision adjustment without the redundant tightening and loosening of knuckle screw.

Cap

Fully machined. Accommodates [2] lens or louver media. Choose from 45° cutoff ('A' or 'D'), 1" deep bezel with 90° cutoff ('B' or 'E') or flush lens ('C') cap styles. 'A' and 'B' caps include weep-hole for water and debris drainage. 'D' and 'E' caps exclude weep-hole and are for interior use only.

Lens

Shock resistant, tempered, glass lens is factory adhered to fixture cap and provides hermetically sealed optical compartment.

BKSSL®

Integrated solid state system with 'x' technology is scalable for field upgrade. Modular design with electrical quick disconnects permit field maintenance.

LM-80 certified. Minimum 50,000 hour rated life at 70% of initial lumens (L70). BKSSL technology provides long life, significant energy reduction and exceptional thermal management.

Color Management

Corrected cold phosphor technology delivers near-perfect natural white light. Long term phosphor maintenance over product life. Exact color point conformity exceeds ANSI C78.377 standard. Provides uniform beam with no color variation over angle. Module exceeds 80 CRI (RA>80, R9>16).

Remote Driver

For use with remote LED driver. See remote driver submittal to determine remote distance and wiring requirements prior to detailing field installation of any remote wiring.

Optics

Interchangeable OPTIKIT™ modules permit field changes to optical distribution.

Wiring

Teflon® coated, 18AWG, 600V, 250° C rated and certified to UL 1659 standard.

Hardware

Tamper-resistant, stainless steel hardware. 360HD™ hardware is additionally black oxide treated for additional corrosion resistance.

Finish

StarGuard®, our exclusive RoHS compliant, 15 stage chromate-free process cleans and conversion coats aluminum components prior to application of Class 'A' TGIC polyester powder coating.

Warranty

5 year limited warranty.

Certification and Listing

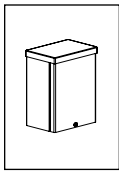
ITL tested to IESNA LM-79. Lighting Facts Registration per USDOE (www.lightingfacts.com). ETL Listed to ANSI/UL Standards 1598, 8750 and Certified to CAN/CSA Standard C22.2 No. 250. RoHS compliant. Suitable for indoor or outdoor use. Suitable for use in wet locations. Additionally suitable for installation within 4' of the ground. IP66 Rated. Made in USA.



*Teflon is a registered trademark of DuPont Corporation.
 *Energy Star is a registered trademark of the United States Environmental Protection Agency.

B-K LIGHTING	40429 Brickyard Drive • Madera, CA 93636 • USA 559.438.5800 • FAX 559.438.5900 www.bklighting.com • info@bklighting.com	SUBMITTAL DATE	DRAWING NUMBER
		12-16-14	SUB001113

360HD Patent is covered in whole or in part by U.S. Patent No. 6,161,948



Constant Current Driver



NEMA 3R Remote Driver Housing

PROJECT:	
TYPE:	
CATALOG NUMBER:	
LAMP(S):	
NOTES:	

CATALOG NUMBER LOGIC



Remote Driver Housing
RM - NEMA 3R Remote Driver Housing
Specify Fixture Separately

Driver Type

For use with Incandescent Dimmer. 120V only for Dimming:

- D11INC** - 11W Dimming Driver
- D18INC** - 18W Dimming Driver
- D29INC** - 29W Dimming Driver

For use with 0-10 Dimmer:

- D31** - 31W Dimming Driver *(Standard Dimming 1-100%)*
- D42** - 42W Dimming Driver *(Standard Dimming 1-100%)*
- D52** - 52W Dimming Driver *(Standard Dimming 10-100%)*
- D31ARC** - 31W Dimming Driver *(Architectural Dimming 0.1-100%)*
- D42ARC** - 42W Dimming Driver *(Architectural Dimming 0.1-100%)*

Finish

Aluminum & Brass Faceplates

Powder Coat Color	Satin	Wrinkle
Bronze	BZP	BZW
Black	BLP	BLW
White (Gloss)	WHP	WHW
Aluminum	SAP	—
Verde	—	VER

Premium Finish

ABP Antique Brass Powder	CMG Cascade Mountain Granite	RMG Rocky Mountain Granite
AMG Aleutian Mountain Granite	CRI Cracked Ice	SDS Sonoran Desert Sandstone
AQW Antique White	CRM Cream	SMG Sierra Mountain Granite
BCM Black Chrome	HUG Hunter Green	TXF Textured Forest
BGE Beige	MDS Mojave Desert Sandstone	WCP Weathered Copper
BPP Brown Patina Powder	NBP Natural Brass Powder	WIR Weathered Iron
CAP Clear Anodized Powder	OCP Old Copper	<i>Also available in RAL Finishes See submittal SUB-1439-00</i>

Input Voltage

MT - 120-277 VAC Input

⚠ REMOTE WIRING

LED Driver

Remote driver installations require inter-connected wiring between the LED and driver (by others). Drivers have specific wiring requirements between these components. Driver manufacturers regularly recommend the following wiring details for such installations:

- Do not exceed 50 foot overall wiring distance using 12 gauge copper wire.

Failure to comply with specific wiring requirements will void product warranty.

DRIVER ELECTRICAL DATA

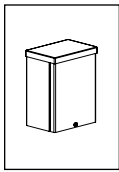
TYPE	AC INPUT RANGE	Frequency Hz	DIMMING	POWER FACTOR AT FULL LOAD	THD	OPER. AMBIENT TEMPERATURE	DIMMER TYPE	DIMMER RANGE
D11INC	120-277	50/60	YES	>0.94	≤5%	-30° C ~ 50° C	Incandescent	10-100%
D18INC	120-277	50/60	YES	>0.94	≤5%	-30° C ~ 50° C	Incandescent	10-100%
D29INC	120-277	50/60	YES	>0.94	≤5%	-30° C ~ 50° C	Incandescent	10-100%
D31	120/208/240/277	50/60	YES	>0.9	≤20%	-20° C ~ 50° C	0-10V	1-100%
D42	120/208/240/277	50/60	YES	>0.9	≤20%	-20° C ~ 50° C	0-10V	1-100%
D52	120/208/240/277	50/60	YES	>0.9	≤20%	-30° C ~ 60° C	0-10V	10-100%
D31ARC	120/208/240/277	50/60	YES	>0.9	≤20%	-20° C ~ 50° C	0-10V	0.1-100%
D42ARC	120/208/240/277	50/60	YES	>0.9	≤20%	-20° C ~ 50° C	0-10V	0.1-100%

B-K LIGHTING

40429 Brickyard Drive • Madera, CA 93636 • USA
 559.438.5800 • FAX 559.438.5900
 www.bklighting.com • info@bklighting.com

SUBMITTAL DATE
 12-16-14

DRAWING NUMBER
 SUB001124



BKSSL
SOLID STATE LIGHTING

Constant Current Driver

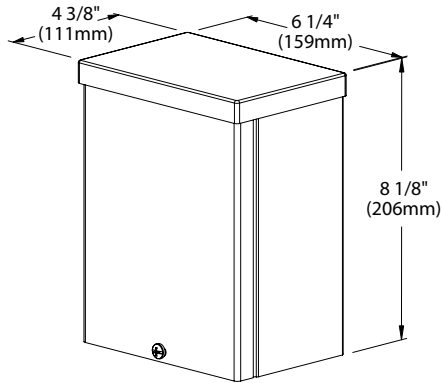


NEMA 3R Remote Driver Housing

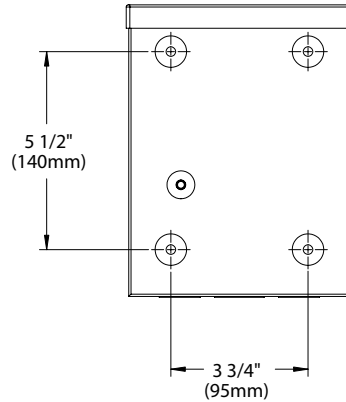
PROJECT:

TYPE:

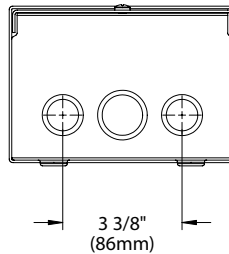
SIDE VIEW



BACK VIEW



END VIEW



SPECIFICATIONS

GreenSource Initiative™

Metal and packaging components are made from recycled materials. Manufactured using renewable solar energy, produced on site. Returnable to manufacturer at end of life to ensure cradle-to-cradle handling. Packaging contains no chlorofluorocarbons (CFC's). Use of this product may qualify for GreenSource efficacy and recycling rebate(s). Consult www.bklighting.com/greensource for program requirements.

Installation

Nema 3R, surface mount design. For use with remote fixture (specified separately).

Housing

Steel construction with screw cover. Front access for ease of installation and inspection. [2] bottom entry, 3/4" conduit knockouts.

Wiring / Connectors

Teflon® coated wire, 18 gauge, 600V, 250°C rated and certified to UL1659 standard. Pre-wired and labeled terminal strip.

Driver (11-29W)

For use with [1] 700mA (D11) or 1.05A (D18, D29), Class A, constant current driver. 120-277VAC (nominal) primary input voltage. 50/60Hz. >0.94 Power Factor, <15.0A in-rush current, 0.25A input current, ≤20%THD (nominal at 120VAC full load). Output over-voltage, over-current, and short circuit protection with auto recovery. EMC: FCC47CFR Part 15 Class B compliant. Dimming driver for use with standard incandescent dimmers. 10-100% range.

Driver (31-52W)

[1] 1.05A (D31, D42) or 1.4A (D52), Class A, constant current driver. 120-277VAC (nominal) primary input voltage. 50/60Hz. >0.90 Power Factor, <15.0A in-rush current, ≤20%THD (nominal at 120VAC full load). Output over-voltage, over-current, and short circuit protection with auto recovery. EMC: FCC47CFR Part 15 Class B compliant. Dimming driver for use with standard 0-10V dimmers and switch controls. 0.1-100% range (refer to driver electrical data).

Finish

StarGuard®, our exclusive RoHs compliant, 15 stage chromate-free process cleans and conversion coats aluminum components prior to application of Class 'A' TGIC polyester powder coating.

Warranty

5 year limited warranty.

Listings

NEMA 3R Enclosure. ETL Listed to ANSI/UL Standard 50/50E and Certified to CAN/CSA Standard C22.2 No. 94.1/94.2. RoHs compliant. Made in USA.



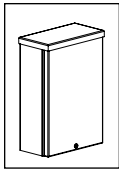
®Teflon is a registered trademark of DuPont Corporation.

B-K LIGHTING

40429 Brickyard Drive • Madera, CA 93636 • USA
559.438.5800 • FAX 559.438.5900
www.bklighting.com • info@bklighting.com

SUBMITTAL DATE
12-16-14

DRAWING NUMBER
SUB001124



Constant Current Driver



NEMA 3R Dual Remote Driver Housing

PROJECT:	
TYPE:	
CATALOG NUMBER:	
LAMP(S):	
NOTES:	

CATALOG NUMBER LOGIC

DRM			MT
-----	--	--	----

Example

DRM - D18INC - SAP - MT

Remote Driver Housing

DRM - NEMA 3R Remote Dual Driver Housing
Specify Fixture Separately

Driver Type

For use with Incandescent Dimmer. 120V only for Dimming:

- D11INC - (2) 11W Dimming Drivers
- D18INC - (2) 18W Dimming Drivers
- D29INC - (2) 29W Dimming Drivers

For use with 0-10 Dimmer:

- D31 - (2) 31W Dimming Drivers (*Standard Dimming 1-100%*)
- D42 - (2) 42W Dimming Drivers (*Standard Dimming 1-100%*)
- D52 - (2) 52W Dimming Drivers (*Standard Dimming 10-100%*)
- D31ARC - (2) 31W Dimming Drivers (*Architectural Dimming 0.1-100%*)
- D42ARC - (2) 42W Dimming Drivers (*Architectural Dimming 0.1-100%*)

Finish

Aluminum & Brass Faceplates

Powder Coat Color	Satin	Wrinkle
Bronze	BZP	BZW
Black	BLP	BLW
White (Gloss)	WHP	WHW
Aluminum	SAP	—
Verde	—	VER

Premium Finish

ABP	Antique Brass Powder	CMG	Cascade Mountain Granite	RMG	Rocky Mountain Granite
AMG	Aleutian Mountain Granite	CRI	Cracked Ice	SDS	Sonoran Desert Sandstone
AQW	Antique White	CRM	Cream	SMG	Sierra Mountain Granite
BCM	Black Chrome	HUG	Hunter Green	TXF	Textured Forest
BGE	Beige	MDS	Mojave Desert Sandstone	WCP	Weathered Copper
BPP	Brown Patina Powder	NBP	Natural Brass Powder	WIR	Weathered Iron
CAP	Clear Anodized Powder	OCP	Old Copper	<i>Also available in RAL Finishes See submittal SUB-1439-00</i>	

Input Voltage

MT - 120-277 VAC Input

⚠ REMOTE WIRING

LED Driver

Remote driver installations require inter-connected wiring between the LED and driver (by others). Drivers have specific wiring requirements between these components. Driver manufacturers regularly recommend the following wiring details for such installations:

- Do not exceed 50 foot overall wiring distance using 12 gauge copper wire.

Failure to comply with specific wiring requirements will void product warranty.

DRIVER ELECTRICAL DATA

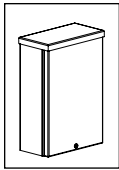
TYPE	AC INPUT RANGE	Frequency Hz	DIMMING	POWER FACTOR AT FULL LOAD	THD	OPER. AMBIENT TEMPERATURE	DIMMER TYPE	DIMMER RANGE
D11INC	120-277	50/60	YES	>0.94	≤5%	-30° C ~ 50° C	Incandescent	10-100%
D18INC	120-277	50/60	YES	>0.94	≤5%	-30° C ~ 50° C	Incandescent	10-100%
D29INC	120-277	50/60	YES	>0.94	≤5%	-30° C ~ 50° C	Incandescent	10-100%
D31	120/208/240/277	50/60	YES	>0.9	≤20%	-20° C ~ 50° C	0-10V	1-100%
D42	120/208/240/277	50/60	YES	>0.9	≤20%	-20° C ~ 50° C	0-10V	1-100%
D52	120/208/240/277	50/60	YES	>0.9	≤20%	-30° C ~ 60° C	0-10V	10-100%
D31ARC	120/208/240/277	50/60	YES	>0.9	≤20%	-20° C ~ 50° C	0-10V	0.1-100%
D42ARC	120/208/240/277	50/60	YES	>0.9	≤20%	-20° C ~ 50° C	0-10V	0.1-100%

B-K LIGHTING

40429 Brickyard Drive • Madera, CA 93636 • USA
559.438.5800 • FAX 559.438.5900
www.bklighting.com • info@bklighting.com

SUBMITTAL DATE
12-16-14

DRAWING NUMBER
SUB001125



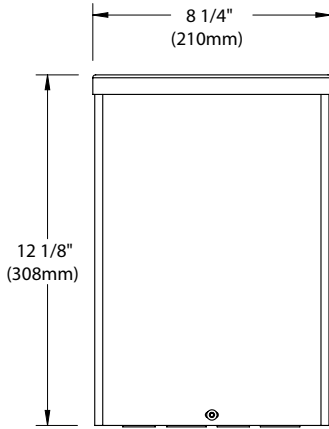
Constant Current Driver



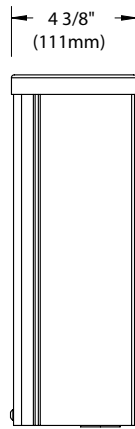
NEMA 3R Dual Remote Driver Housing

PROJECT:	
TYPE:	

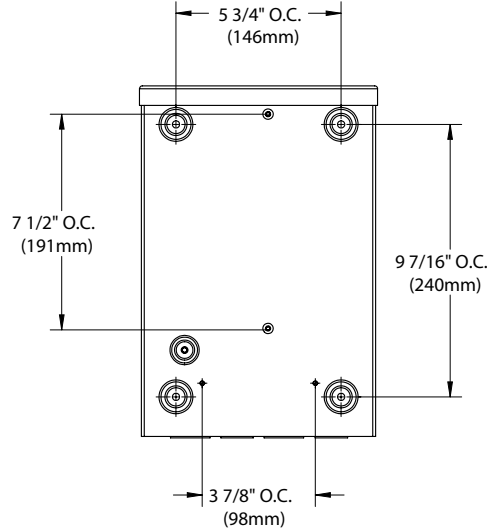
FRONT VIEW



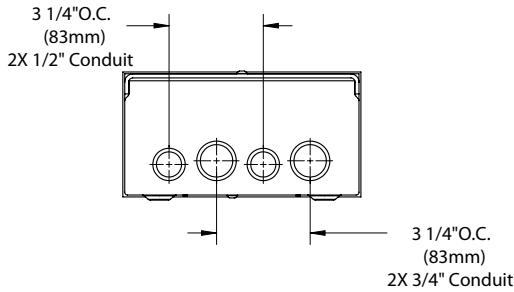
SIDE VIEW



BACK VIEW



END VIEW



SPECIFICATIONS

GreenSource Initiative™

Metal and packaging components are made from recycled materials. Manufactured using renewable solar energy, produced on site. Returnable to manufacturer at end of life to ensure cradle-to-cradle handling. Packaging contains no chlorofluorocarbons (CFC's). Use of this product may qualify for GreenSource efficacy and recycling rebate(s). Consult www.bklighting.com/greenSource for program requirements.

Installation

Nema 3R, surface mount design. For use with remote fixtures (specified separately).

Housing

Steel construction with screw cover. Front access for ease of installation and inspection. [2] bottom entry, 3/4" conduit knockouts.

Wiring / Connectors

Teflon® coated wire, 18 gauge, 600V, 250°C rated and certified to UL1659 standard. Pre-wired and labeled terminal strip.

Driver (11-29W)

For use with [2] 700mA (D11) or 1.05A (D18, D29), Class A, constant current drivers. 120-277VAC (nominal) primary input voltage. 50/60Hz. >0.94 Power Factor, <15.0A in-rush current, 0.25A input current, ≤20%THD (nominal at 120VAC full load). Output over-voltage, over-current, and short circuit protection with auto recovery. EMC: FCC47CFR Part 15 Class B compliant. Dimming driver for use with standard incandescent dimmers. 10-100% range.

Driver (31-52W)

[2] 1.05A (D31, D42) or 1.4A (D52), Class A, constant current drivers. 120-277VAC (nominal) primary input voltage. 50/60Hz. >0.90 Power Factor, <15.0A in-rush current, ≤20%THD (nominal at 120VAC full load). Output over-voltage, over-current, and short circuit protection with auto recovery. EMC: FCC47CFR Part 15 Class B compliant. Dimming driver for use with standard 0-10V dimmers and switch controls. 0.1-100% range (refer to driver electrical data).

Finish

StarGuard®, our exclusive RoHS compliant, 15 stage chromate-free process cleans and conversion coats aluminum components prior to application of Class 'A' TGIC polyester powder coating.

Warranty

5 year limited warranty.

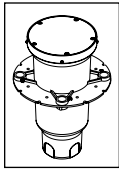
Listings

NEMA 3R Enclosure. ETL Listed to ANSI/UL Standard 50/50E and Certified to CAN/CSA Standard C22.2 No. 94.1/94.2. RoHS compliant. Made in USA.



©Teflon is a registered trademark of DuPont Corporation.

B-K LIGHTING	40429 Brickyard Drive • Madera, CA 93636 • USA 559.438.5800 • FAX 559.438.5900 www.bklighting.com • info@bklighting.com	SUBMITTAL DATE	DRAWING NUMBER
		12-16-14	SUB001125



Precision²
OF THE B-K LIGHTING GROUP

BKSSL
SOLID STATE LIGHTING

THE POWER OF



HP²RM DRIVER HOUSING

PROJECT:	
TYPE:	
CATALOG NUMBER:	
LAMP(S):	
NOTES:	

CATALOG NUMBER LOGIC

	HP2RM			MT	
--	-------	--	--	----	--

Example

B - HP2RM - D31 - BZW - MT - GM-R

Material

- Blank - Aluminum
- B - Brass
- S - Stainless Steel

Remote Driver Housing

- HP2RM - Remote In-Grade (Flush) Driver Housing

Driver Type

For use with Incandescent Dimmer. 120V only for Dimming:

- D11INC - 11W Dimming Driver
- D18INC - 18W Dimming Driver
- D29INC - 29W Dimming Driver

For use with 0-10 Dimmer:

- D31 - 31W Dimming Driver (Standard Dimming 1-100%)
- D42 - 42W Dimming Driver (Standard Dimming 1-100%)
- D52 - 52W Dimming Driver (Standard Dimming 10-100%)
- D31ARC - 31W Dimming Driver (Architectural Dimming 0.1-100%)
- D42ARC - 42W Dimming Driver (Architectural Dimming 0.1-100%)

Finish

Aluminum & Brass Faceplates

Brass Faceplates

Premium Finish

Powder Coat Color	Satin	Wrinkle	Machined	MAC	ABP	CMG	RMG
Bronze	BZP	BZW	Polished	POL	Antique Brass Powder	Cascade Mountain Granite	Rocky Mountain Granite
Black	BLP	BLW	Mitique™	MIT	AMG	Cracked Ice	SDS
White (Gloss)	WHP	WHW	Stainless Faceplates		AQW	Cream	SMG
Aluminum	SAP	—	Machined	MAC	BCM	Hunter Green	TXF
Verde	—	VER	Polished	POL	BGE	Mojave Desert Sandstone	WCP
			Brushed	BRU <small>Interior use only.</small>	BPP	Natural Brass Powder	WIR
					CAP	Clear Anodized Powder	OCP

Input Voltage

- MT - 120-277 VAC Input

Option

- GM-R - Round Grout Mask
- GM-S - Square Grout Mask

DRIVER ELECTRICAL DATA

TYPE	AC INPUT RANGE	Frequency Hz	DIMMING	POWER FACTOR AT FULL LOAD	THD	OPER. AMBIENT TEMPERATURE	DIMMER TYPE	DIMMER RANGE
D11INC	120-277	50/60	YES	>0.94	≤5%	-30° C ~ 50° C	Incandescent	10-100%
D18INC	120-277	50/60	YES	>0.94	≤5%	-30° C ~ 50° C	Incandescent	10-100%
D29INC	120-277	50/60	YES	>0.94	≤5%	-30° C ~ 50° C	Incandescent	10-100%
D31	120/208/240/277	50/60	YES	>0.9	≤20%	-20° C ~ 50° C	0-10V	1-100%
D42	120/208/240/277	50/60	YES	>0.9	≤20%	-20° C ~ 50° C	0-10V	1-100%
D52	120/208/240/277	50/60	YES	>0.9	≤20%	-30° C ~ 60° C	0-10V	10-100%
D31ARC	120/208/240/277	50/60	YES	>0.9	≤20%	-20° C ~ 50° C	0-10V	0.1-100%
D42ARC	120/208/240/277	50/60	YES	>0.9	≤20%	-20° C ~ 50° C	0-10V	0.1-100%

⚠ REMOTE WIRING

LED Driver

Remote driver installations require inter-connected wiring between the LED and driver (By Others). Drivers have specific wiring requirements between these components. Driver manufacturers regularly recommend the following wiring details for such installations:

- Do not exceed 50 foot overall wiring distance using 12 gauge copper wire.

Failure to comply with specific wiring requirements will void product warranty.

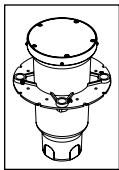
B-K LIGHTING

40429 Brickyard Drive • Madera, CA 93636 • USA
559.438.5800 • FAX 559.438.5900
www.bklighting.com • info@bklighting.com

SUBMITTAL DATE
12-16-14

DRAWING NUMBER
SUB-2183-00

THIS DOCUMENT CONTAINS PROPRIETARY INFORMATION OF B-K LIGHTING, INC. AND ITS RECEIPT OR POSSESSION DOES NOT CONVEY ANY RIGHTS TO REPRODUCE, DISCLOSE ITS CONTENTS, OR TO MANUFACTURE, USE OR SELL ANYTHING IT MAY DESCRIBE. REPRODUCTION, DISCLOSURE OR USE WITHOUT SPECIFIC WRITTEN AUTHORIZATION OF B-K LIGHTING, INC. IS STRICTLY FORBIDDEN.



Precision²
IP-68 Rated In-Grade Lighting

BKSSL
SOLID STATE LIGHTING

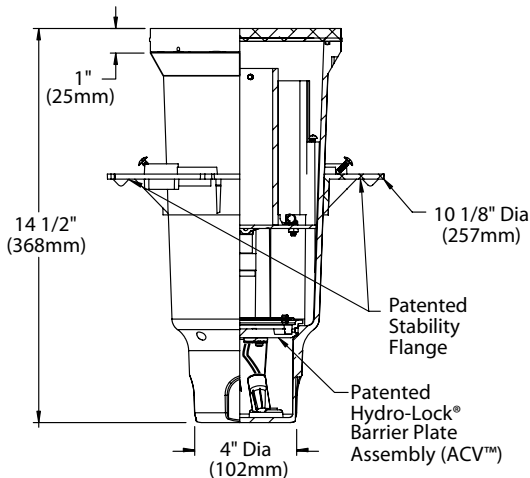


HP²RM DRIVER HOUSING

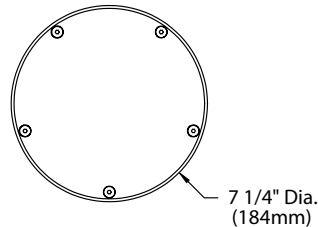
PROJECT:

TYPE:

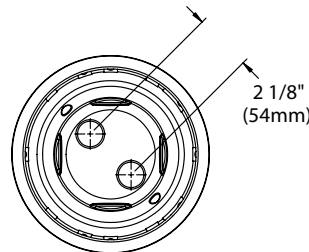
SIDE VIEW



TOP VIEW



BOTTOM VIEW



All dimensions indicated on this submittal are nominal.
Contact Technical Sales if you require more stringent specifications.

SPECIFICATIONS

GreenSource Initiative™

Metal and packaging components are made from recycled materials. Manufactured using renewable solar energy, produced on site. Returnable to manufacturer at end of life to ensure cradle-to-cradle handling. Packaging contains no chlorofluorocarbons (CFC's). Use of this product may qualify for GreenSource efficacy and recycling rebate(s). Consult www.bklighting.com/greensource for program requirements.

Materials

Furnished in Copper-Free Aluminum (Type 6061-T6), Brass (Type 360) or Stainless Steel (Type 304).

Faceplate

Solid, 1/2" machined faceplate with (5) black oxidized, captive, stainless steel mounting screws. Faceplate installs flush to grade.

Housing

Corrosion-free composite, made from high strength, thermo-formed, sheet molded polyester compound. Glass reinforced, flame retardant and UV stabilized. (2) Bottom-Entry, 3/4" NPT female conduit entries with knockout plugs and (4) side flats for 1/2" or 3/4" conduit adapters.

Stability Flange

Patented, corrosion-free composite flange projects into installation sub-strate to reinforce housing stability. Integral REBAR saddles simplify installation onto concrete form. (4) Orthogonal bosses permit use of 1/2" PVC conduit or EMT to simplify vertical position and leveling of housing. Pre-set self-tapping screws anchor housing at proper elevation.

Installation

Integral, copper-free aluminum concrete pour collar (CPC), furnished in Black finish, permits for direct burial installation in soil or concrete. Consult Drainage Installation Guide for In-Grade Fixtures (DIG-IT) for compliance with proper soil preparation and drainage requirements prior to installation. For use with remote fixture (specified separately). Suitable for walk-over and drive-over applications to 35,000 lbs.

Water Management

IP-68 rated, vacuum sealed enclosure. Patented Anti-Condensation Valve (ACV™) eliminates condensation from ballast chamber. High temperature silicone 'O' Ring at faceplate. Patented HydroLock™ technology provides fail safe water barrier between junction box and interior components. Anti-siphon valve (ASV™) prevents "wicking" through conductor insulation.

Driver (11-29W)

For use with [1] 700mA (D11) or 1.05A (D18, D29), Class A, constant current driver. 120-277VAC (nominal) primary input voltage. 50/60Hz. >0.94 Power Factor, <15.0A in-rush current, 0.25A input current, <20%THD (nominal at 120VAC full load). Output over-voltage, over-current, and short circuit protection with auto recovery. EMC: FCC47CFR Part 15 Class B compliant. Dimming driver for use with standard incandescent dimmers. 10-100% range.

Driver (31-52W)

[1] 1.05A (D31, D42) or 1.4A (D52), Class A, constant current driver. 120-277VAC (nominal) primary input voltage. 50/60Hz. >0.90 Power Factor, <15.0A in-rush current, <20%THD (nominal at 120VAC full load). Output over-voltage, over-current, and short circuit protection with auto recovery. EMC: FCC47CFR Part 15 Class B compliant. Dimming driver for use with standard 0-10V dimmers and switch controls. 0.1-100% range (Refer to driver electrical data).

Wiring / Connectors

Teflon® coated wire, 18 gauge, 600V, 250°C rated and certified to UL1659 standard. Gear tray quick disconnects. Patented HydroLock® with anti-siphon valve (ASV™) wireway. (5) Water-tight connectors supplied for branch circuit and lamp connection. Maximum (2) #10 & (1) #18. Minimum (1) #12 & (1) #18 per connector.

Finish

StarGuard®, our exclusive RoHs compliant, 15 stage chromate-free process cleans and conversion coats aluminum components prior to application of Class 'A' TGIC polyester powder coating. Brass components are available in powder coat or handcrafted metal finish. Stainless steel components are available in handcrafted metal finish. (Brushed finish for interior use only).

Warranty

5 year limited warranty.

Listings

IP-68 Rated Enclosure. ETL Listed to ANSI/UL Standard 1598 and Certified to CAN/CSA Standard C22.2 No. 250. RoHs compliant. Made in USA.



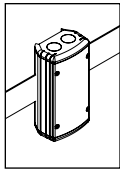
*Teflon is a registered trademark of DuPont Corporation.

B-K LIGHTING

40429 Brickyard Drive • Madera, CA 93636 • USA
559.438.5800 • FAX 559.438.5900
www.bklighting.com • info@bklighting.com

SUBMITTAL DATE
12-16-14

DRAWING NUMBER
SUB-2183-00



UNIVERSAL POWER MODULE



Constant Current Driver



PM2RM TREE STRAP™

PROJECT:	
TYPE:	
CATALOG NUMBER:	
LAMP(S):	
NOTES:	

CATALOG NUMBER LOGIC



Example

PM2RM - TS-20 - D18INC - BZP - MT - SC - MB

Series

PM2RM - Universal Power Module™ 2 Remote

Mounting

TS - Length - Tree Strap™ (Specify Adjustable Strap Length)
Minimum 3" Adjustable Strap (Standard)

Driver Type

For use with Incandescent Dimmer. 120V only for Dimming:

- D11INC** - 11W Dimming Driver
- D18INC** - 18W Dimming Driver
- D29INC** - 29W Dimming Driver

Finish

Standard Finish

Powder Coat Color	Satin	Wrinkle
Bronze	BZP	BZW
Black	BLP	BLW
White (Gloss)	WHP	WHW
Aluminum	SAP	—
Verde	—	VER

Premium Finish

ABP Antique Brass Powder	CMG Cascade Mountain Granite	RMG Rocky Mountain Granite
AMG Aleutian Mountain Granite	CRI Cracked Ice	SDS Sonoran Desert Sandstone
AQW Antique White	CRM Cream	SMG Sierra Mountain Granite
BCM Black Chrome	HUG Hunter Green	TXF Textured Forest
BGE Beige	MDS Mojave Desert Sandstone	WCP Weathered Copper
BPP Brown Patina Powder	NBP Natural Brass Powder	WIR Weathered Iron
CAP Clear Anodized Powder	OCP Old Copper	<i>Also available in RAL Finishes See submittal SUB-1439-00</i>

Input Voltage

MT - 120-277 VAC Input

Options

- SC** - Safety Cable. For use with Tree Strap™ (TS) mount. Cable length to match strap length.
- MB** - Mounting Brackets

⚠ REMOTE WIRING

LED Driver

Remote driver installations require inter-connected wiring between the LED and driver (by others). Drivers have specific wiring requirements between these components. Driver manufacturers regularly recommend the following wiring details for such installations:

- Do not exceed 50 foot overall wiring distance using 12 gauge copper wire.

Failure to comply with specific wiring requirements will void product warranty.

DRIVER ELECTRICAL DATA

TYPE	AC INPUT RANGE	Frequency Hz	DIMMING	POWER FACTOR	THD	OPER. AMBIENT TEMPERATURE	DIMMER TYPE	DIMMER RANGE
D11INC	120-277	50/60	YES	>0.94	≤5%	-30° C ~ 50° C	Incandescent	10-100%
D18INC	120-277	50/60	YES	>0.94	≤5%	-30° C ~ 50° C	Incandescent	10-100%
D29INC	120-277	50/60	YES	>0.94	≤5%	-30° C ~ 50° C	Incandescent	10-100%

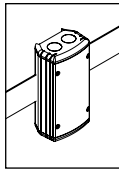
B-K LIGHTING

40429 Brickyard Drive • Madera, CA 93636 • USA
559.438.5800 • FAX 559.438.5900
www.bklighting.com • info@bklighting.com

SUBMITTAL DATE
12-15-14

DRAWING NUMBER
SUB000795.5

THIS DOCUMENT CONTAINS PROPRIETARY INFORMATION OF B-K LIGHTING, INC. AND ITS RECEIPT OR POSSESSION DOES NOT CONVEY ANY RIGHTS TO REPRODUCE, DISCLOSE ITS CONTENTS, OR TO MANUFACTURE, USE OR SELL ANYTHING IT MAY DESCRIBE. REPRODUCTION, DISCLOSURE OR USE WITHOUT SPECIFIC WRITTEN AUTHORIZATION OF B-K LIGHTING, INC. IS STRICTLY FORBIDDEN.



UNIVERSAL POWER MODULE
UPM

BKSSL
SOLID STATE LIGHTING

Constant Current Driver

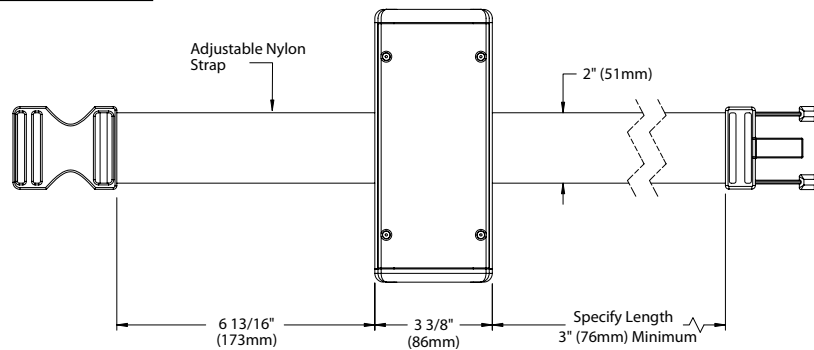


PM2RM TREE STRAP™

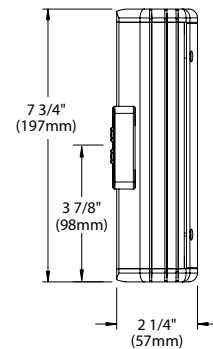
PROJECT:

TYPE:

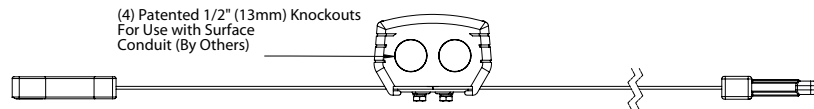
FRONT VIEW



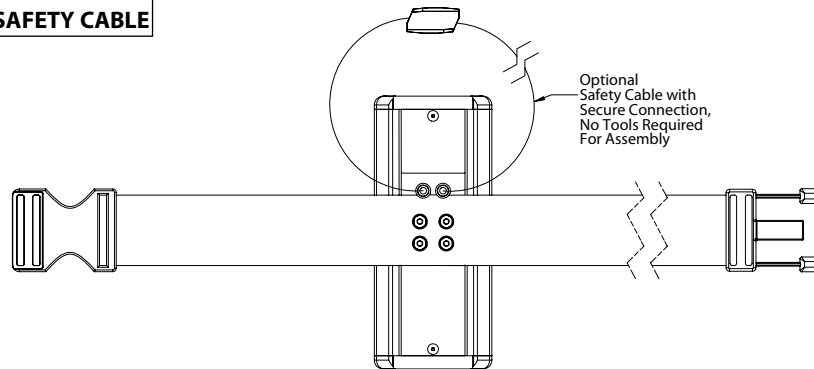
SIDE VIEW



END VIEW



SAFETY CABLE



SPECIFICATIONS

GreenSource Initiative™

Metal and packaging components are made from recycled materials. Manufactured using renewable solar energy, produced on site. Returnable to manufacturer at end of life to ensure cradle-to-cradle handling. Packaging contains no chlorofluorocarbons (CFC's). Use of this product may qualify for GreenSource efficacy and recycling rebate(s). Consult www.bklighting.com/greensource for program requirements.

Tree Installation

Tree Strap™ mounting system facilitates non-invasive installation. Adjustable nylon strap is mold and mildew resistant and will not hinder tree growth. Optional stainless steel safety cable maintains UPM mounting when nylon strap is disengaged.

Housing

Copper free, aluminum extrusion with die cast end caps. Surface mounted with flow through back channel to prevent water and debris collection. Machined aluminum cover with countersunk holes for flush hardware installation. Tamper-resistant, captive, black oxide stainless steel mounting screws.

Front access for ease of installation and inspection. [2] 1/2" NPT female conduit entries per end cap for through wiring.

Installation Tether

Stainless steel cable with integral loop allows cover to temporarily suspend from housing during installation to simplify wire connection and component attachment.

Patented Knockouts

[4] 1/2" NPT, machined aluminum knockouts. High temperature, silicone 'O' Ring for water-tight seal. Patented design allows knockout to be reinserted without compromising seal integrity.

Driver (11-29W)

For use with [1] 700mA (D11) or 1.05A (D18, D29), Class A, constant current driver. 120-277VAC (nominal) primary input voltage. 50/60Hz. >0.94 Power Factor, <15.0A in-rush current, 0.25A input current, ≤5%THD (nominal at 120VAC full load). Output over-voltage, over-current, and short circuit protection with auto recovery. EMC: FCC47CFR Part 15 Class B compliant.

Dimming driver for use with standard incandescent dimmers. 10-100% range.

Finish

StarGuard®, our exclusive RoHs compliant, 15 stage chromate-free process cleans and conversion coats aluminum components prior to application of Class 'A' TGIC polyester powder coating.

Warranty

5 year limited warranty.

Listings

NEMA 4X / IP-66 Rated Enclosure. ETL Listed to ANSI/UL Standard 50/50E and Certified to CAN/CSA Standard C22.2 No. 94.1/94.2. RoHs compliant. Made in USA.

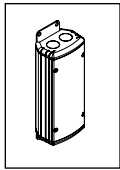


B-K LIGHTING

40429 Brickyard Drive • Madera, CA 93636 • USA
559.438.5800 • FAX 559.438.5900
www.bklighting.com • info@bklighting.com

SUBMITTAL DATE
12-15-14

DRAWING NUMBER
SUB000795.5



UNIVERSAL POWER MODULE
UPM

BKSSL
SOLID STATE LIGHTING

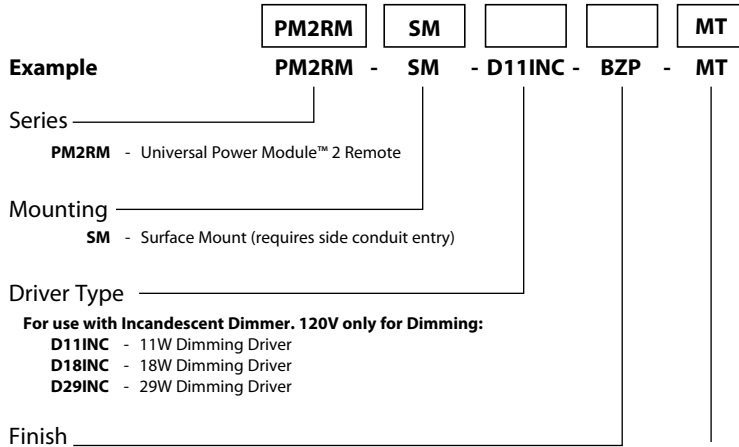
Constant Current Driver



PM2RM SURFACE MOUNT

PROJECT:	
TYPE:	
CATALOG NUMBER:	
LAMP(S):	
NOTES:	

CATALOG NUMBER LOGIC



! REMOTE WIRING

LED Driver

Remote driver installations require inter-connected wiring between the LED and driver (by others). Drivers have specific wiring requirements between these components. Driver manufacturers regularly recommend the following wiring details for such installations:

- Do not exceed 50 foot overall wiring distance using 12 gauge copper wire.

Failure to comply with specific wiring requirements will void product warranty.

Standard Finish

Powder Coat Color	Satin	Wrinkle
Bronze	BZP	BZW
Black	BLP	BLW
White (Gloss)	WHP	WHW
Aluminum	SAP	—
Verde	—	VER

Premium Finish

ABP Antique Brass Powder	CMG Cascade Mountain Granite	RMG Rocky Mountain Granite
AMG Aleutian Mountain Granite	CRI Cracked Ice	SDS Sonoran Desert Sandstone
AQW Antique White	CRM Cream	SMG Sierra Mountain Granite
BCM Black Chrome	HUG Hunter Green	TXF Textured Forest
BGE Beige	MDS Mojave Desert Sandstone	WCP Weathered Copper
BPP Brown Patina Powder	NBP Natural Brass Powder	WIR Weathered Iron
CAP Clear Anodized Powder	OCP Old Copper	<i>Also available in RAL Finishes See submittal SUB-1439-00</i>

Input Voltage MT - 120-277 VAC Input

DRIVER ELECTRICAL DATA

TYPE	AC INPUT RANGE	Frequency Hz	DIMMING	POWER FACTOR	THD	OPER. AMBIENT TEMPERATURE	DIMMER TYPE	DIMMER RANGE
D11INC	120-277	50/60	YES	>0.94	≤5%	-30° C ~ 50° C	Incandescent	10-100%
D18INC	120-277	50/60	YES	>0.94	≤5%	-30° C ~ 50° C	Incandescent	10-100%
D29INC	120-277	50/60	YES	>0.94	≤5%	-30° C ~ 50° C	Incandescent	10-100%

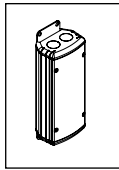
B-K LIGHTING

40429 Brickyard Drive • Madera, CA 93636 • USA
 559.438.5800 • FAX 559.438.5900
 www.bklighting.com • info@bklighting.com

SUBMITTAL DATE
12-15-14

DRAWING NUMBER
SUB000795.6

THIS DOCUMENT CONTAINS PROPRIETARY INFORMATION OF B-K LIGHTING, INC. AND ITS RECEIPT OR POSSESSION DOES NOT CONVEY ANY RIGHTS TO REPRODUCE, DISCLOSE ITS CONTENTS, OR TO MANUFACTURE, USE OR SELL ANYTHING IT MAY DESCRIBE. REPRODUCTION, DISCLOSURE OR USE WITHOUT SPECIFIC WRITTEN AUTHORIZATION OF B-K LIGHTING, INC. IS STRICTLY FORBIDDEN.



UNIVERSAL POWER MODULE
UPM

BKSSL
SOLID STATE LIGHTING

Constant Current Driver

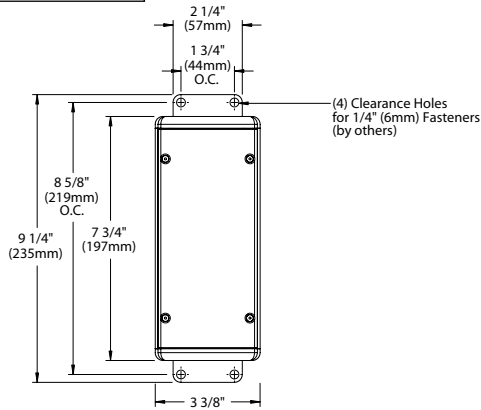


PM2RM SURFACE MOUNT

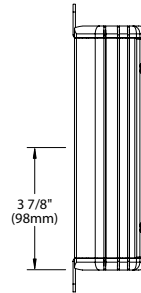
PROJECT:

TYPE:

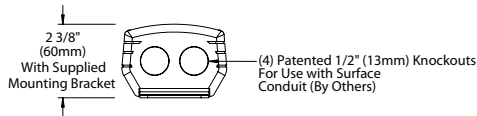
TOP VIEW



SIDE VIEW



END VIEW



SPECIFICATIONS

GreenSource Initiative™

Metal and packaging components are made from recycled materials. Manufactured using renewable solar energy, produced on site. Returnable to manufacturer at end of life to ensure cradle-to-cradle handling. Packaging contains no chlorofluorocarbons (CFC's). Use of this product may qualify for GreenSource efficacy and recycling rebate(s). Consult www.bklighting.com/greensource for program requirements.

Surface Mount

For use with side entry, surface conduits. Stainless steel mounting brackets provide for direct anchor to architectural surfaces in any orientation.

Housing

Copper free, aluminum extrusion with die cast end caps. Surface mounted with flow through back channel to prevent water and debris collection. Machined aluminum cover with countersunk holes for flush hardware installation. Tamper-resistant, captive, black oxide stainless steel mounting screws. Front access for ease of installation and inspection. [2] 1/2" NPT female conduit entries per end cap for through wiring.

Installation Tether

Stainless steel cable with integral loop allows cover to temporarily suspend from housing during installation to simplify wire connection and component attachment.

Patented Knockouts

[4] 1/2" NPT, machined aluminum knockouts. High temperature, silicone 'O' Ring for water-tight seal. Patented design allows knockout to be reinserted without compromising seal integrity.

Driver (11-29W)

For use with [1] 700mA (D11) or 1.05A (D18, D29), Class A, constant current driver. 120-277VAC (nominal) primary input voltage. 50/60Hz. >0.94 Power Factor, <15.0A in-rush current, 0.25A input current, ≤5%THD (nominal at 120VAC full load). Output over-voltage, over-current, and short circuit protection with auto recovery. EMC: FCC47CFR Part 15 Class B compliant.

Dimming driver for use with standard incandescent dimmers. 10-100% range.

Finish

StarGuard®, our exclusive RoHs compliant, 15 stage chromate-free process cleans and conversion coats aluminum components prior to application of Class 'A' TGIC polyester powder coating.

Warranty

5 year limited warranty.

Listings

NEMA 4X / IP-66 Rated Enclosure. ETL Listed to ANSI/UL Standard 50/50E and Certified to CAN/CSA Standard C22.2 No. 94.1/94.2. RoHs compliant. Made in USA.

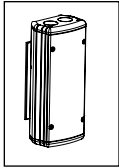


B-K LIGHTING

40429 Brickyard Drive • Madera, CA 93636 • USA
559.438.5800 • FAX 559.438.5900
www.bklighting.com • info@bklighting.com

SUBMITTAL DATE
12-15-14

DRAWING NUMBER
SUB000795.6



UNIVERSAL POWER MODULE
UPM

BKSSL
SOLID STATE LIGHTING

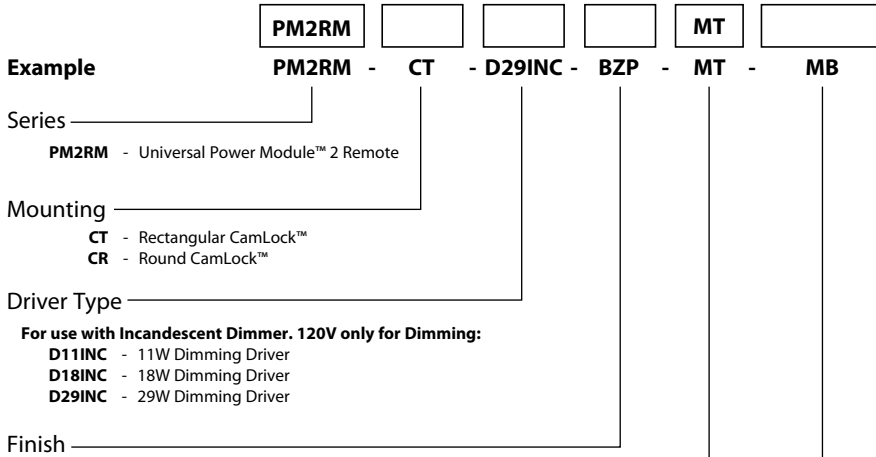
Constant Current Driver



PM2RM JUNCTION BOX (CAMLOCK™)

PROJECT:	
TYPE:	
CATALOG NUMBER:	
LAMP(S):	
NOTES:	

CATALOG NUMBER LOGIC



Standard Finish

Powder Coat Color	Satin	Wrinkle
Bronze	BZP	BZW
Black	BLP	BLW
White (Gloss)	WHP	WHW
Aluminum	SAP	—
Verde	—	VER

Premium Finish

ABP Antique Brass Powder	CMG Cascade Mountain Granite	RMG Rocky Mountain Granite
AMG Aleutian Mountain Granite	CRI Cracked Ice	SDS Sonoran Desert Sandstone
AQW Antique White	CRM Cream	SMG Sierra Mountain Granite
BCM Black Chrome	HUG Hunter Green	TXF Textured Forest
BGE Beige	MDS Mojave Desert Sandstone	WCP Weathered Copper
BPP Brown Patina Powder	NBP Natural Brass Powder	WIR Weathered Iron
CAP Clear Anodized Powder	OCP Old Copper	<i>Also available in RAL Finishes See submittal SUB-1439-00</i>

Input Voltage MT - 120-277 VAC Input

Options MB - Mounting Brackets

⚠ REMOTE WIRING

LED Driver

Remote driver installations require inter-connected wiring between the LED and driver (by others). Drivers have specific wiring requirements between these components. Driver manufacturers regularly recommend the following wiring details for such installations:

- Do not exceed 50 foot overall wiring distance using 12 gauge copper wire.

Failure to comply with specific wiring requirements will void product warranty.

DRIVER ELECTRICAL DATA

TYPE	AC INPUT RANGE	Frequency Hz	DIMMING	POWER FACTOR	THD	OPER. AMBIENT TEMPERATURE	DIMMER TYPE	DIMMER RANGE
D11INC	120-277	50/60	YES	>0.94	≤5%	-30° C ~ 50°C	Incandescent	10-100%
D18INC	120-277	50/60	YES	>0.94	≤5%	-30° C ~ 50°C	Incandescent	10-100%
D29INC	120-277	50/60	YES	>0.94	≤5%	-30° C ~ 50°C	Incandescent	10-100%

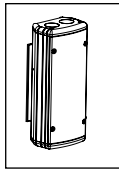
B-K LIGHTING

40429 Brickyard Drive • Madera, CA 93636 • USA
559.438.5800 • FAX 559.438.5900
www.bklighting.com • info@bklighting.com

SUBMITTAL DATE
12-16-14

DRAWING NUMBER
SUB000795.7

THIS DOCUMENT CONTAINS PROPRIETARY INFORMATION OF B-K LIGHTING, INC. AND ITS RECEIPT OR POSSESSION DOES NOT CONVEY ANY RIGHTS TO REPRODUCE, DISCLOSE ITS CONTENTS, OR TO MANUFACTURE, USE OR SELL ANYTHING IT MAY DESCRIBE. REPRODUCTION, DISCLOSURE OR USE WITHOUT SPECIFIC WRITTEN AUTHORIZATION OF B-K LIGHTING, INC. IS STRICTLY FORBIDDEN.



UNIVERSAL POWER MODULE
UPM

BKSSL
SOLID STATE LIGHTING

Constant Current Driver

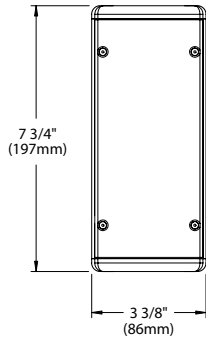


PM2RM JUNCTION BOX (CAMLOCK™)

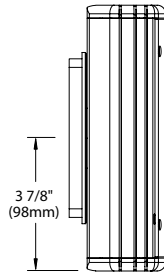
PROJECT:

TYPE:

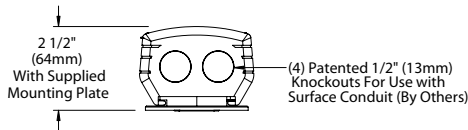
FRONT VIEW



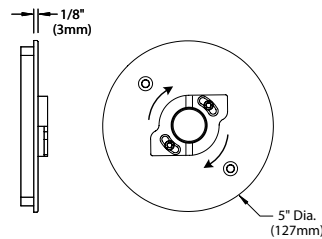
SIDE VIEW



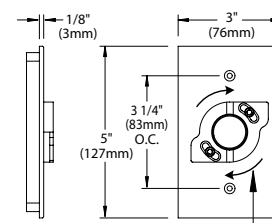
END VIEW



ROUND CAMLOCK™ CANOPY



RECTANGULAR CAMLOCK™ CANOPY



SPECIFICATIONS

GreenSource Initiative™

Metal and packaging components are made from recycled materials. Manufactured using renewable solar energy, produced on site. Returnable to manufacturer at end of life to ensure cradle-to-cradle handling. Packaging contains no chlorofluorocarbons (CFC's). Use of this product may qualify for GreenSource efficacy and recycling rebate(s). Consult www.bklighting.com/greensource for program requirements.

Round CamLock™ Canopy (Recessed Junction Box)

5" diameter, machined aluminum construction. Includes stainless steel universal mounting ring for use with 4" octagonal junction box. [2] tamper-resistant, black oxide stainless steel mounting screws. 1/8" thick HT-805A silicone foam gasket for water-tight seal. Integral CamLock™ provides additional 30° adjustment for precision alignment of UPM regardless of junction box orientation. Integral wiper seal maintains water-tight integrity between UPM and junction box. Optional stainless steel mounting brackets may be specified to provide additional anchor to architectural surface.

Rectangular CamLock™ Canopy (Recessed Junction Box)

Machined aluminum, 3" x 5" rectangular canopy for use with single gang junction box. [2] tamper-resistant, black oxide stainless steel mounting

screws. 1/8" thick HT-805A silicone foam gasket for water-tight seal. Integral CamLock™ provides additional 30° adjustment for precision alignment of UPM regardless of junction box orientation. Integral wiper seal maintains water-tight integrity between UPM and junction box. Optional stainless steel mounting brackets may be specified to provide additional anchor to architectural surface.

Housing

Copper free, aluminum extrusion with die cast end caps. Surface mounted with flow through back channel to prevent water and debris collection. Machined aluminum cover with countersunk holes for flush hardware installation. Tamper-resistant, captive, black oxide stainless steel mounting screws. Front access for ease of installation and inspection. [2] 1/2" NPT female conduit entries per end cap for through wiring.

Installation Tether

Stainless steel cable with integral loop allows cover to temporarily suspend from housing during installation to simplify wire connection and component attachment.

Patented Knockouts

[4] 1/2" NPT, machined aluminum knockouts. High temperature, silicone 'O' Ring for water-tight seal. Patented design allows knockout to be reinserted without compromising seal integrity.

Driver (11-29W)

For use with [1] 700mA (D11) or 1.05A (D18, D29), Class A, constant current driver. 120-277VAC (nominal) primary input voltage. 50/60Hz. >0.94 Power Factor, <15.0A in-rush current, 0.25A input current, ≤5%THD (nominal at 120VAC full load). Output over-voltage, over-current, and short circuit protection with auto recovery. EMC: FCC47CFR Part 15 Class B compliant.

Dimming driver for use with standard incandescent dimmers. 10-100% range.

Finish

StarGuard®, our exclusive RoHs compliant, 15 stage chromate-free process cleans and conversion coats aluminum components prior to application of Class 'A' TGIC polyester powder coating.

Warranty

5 year limited warranty.

Listings

NEMA 4X / IP-66 Rated Enclosure. ETL Listed to ANSI/UL Standard 50/50E and Certified to CAN/CSA Standard C22.2 No. 94.1/94.2. RoHs compliant. Made in USA.

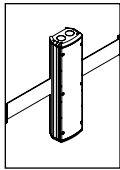


B-K LIGHTING

40429 Brickyard Drive • Madera, CA 93636 • USA
559.438.5800 • FAX 559.438.5900
www.bklighting.com • info@bklighting.com

SUBMITTAL DATE
12-16-14

DRAWING NUMBER
SUB000795.7



UNIVERSAL POWER MODULE



BKSSL
SOLID STATE LIGHTING

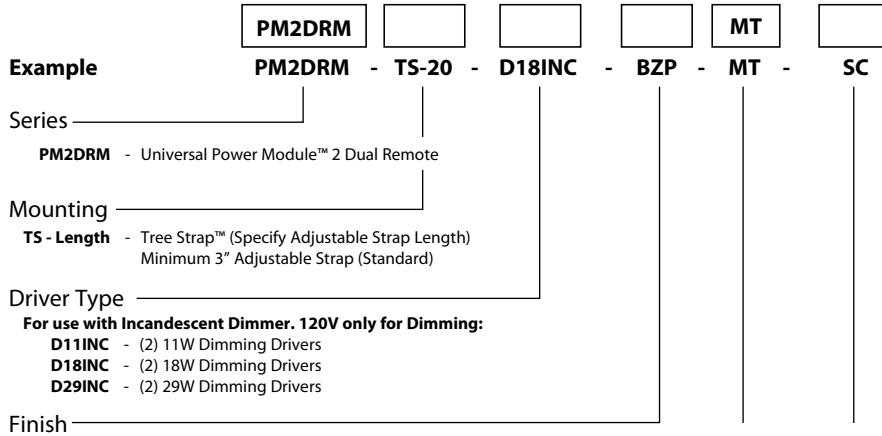
Constant Current Driver



PM2 DUAL RM TREE STRAP™

PROJECT:	
TYPE:	
CATALOG NUMBER:	
LAMP(S):	
NOTES:	

CATALOG NUMBER LOGIC



⚠ REMOTE WIRING

LED Driver

Remote driver installations require inter-connected wiring between the LED and driver (by others). Drivers have specific wiring requirements between these components. Driver manufacturers regularly recommend the following wiring details for such installations:

- Do not exceed 50 foot overall wiring distance using 12 gauge copper wire.

Failure to comply with specific wiring requirements will void product warranty.

Standard Finish

Powder Coat Color	Satin	Wrinkle
Bronze	BZP	BZW
Black	BLP	BLW
White (Gloss)	WHP	WHW
Aluminum	SAP	—
Verde	—	VER

Premium Finish

ABP Antique Brass Powder	CMG Cascade Mountain Granite	RMG Rocky Mountain Granite
AMG Aleutian Mountain Granite	CRI Cracked Ice	SDS Sonoran Desert Sandstone
AQW Antique White	CRM Cream	SMG Sierra Mountain Granite
BCM Black Chrome	HUG Hunter Green	TXF Textured Forest
BGE Beige	MDS Mojave Desert Sandstone	WCP Weathered Copper
BPP Brown Patina Powder	NBP Natural Brass Powder	WIR Weathered Iron
CAP Clear Anodized Powder	OCP Old Copper	<i>Also available in RAL Finishes See submittal SUB-1439-00</i>

Input Voltage MT - 120-277 VAC Input

Options SC - Safety Cable. For use with Tree Strap™ (TS) mount. Cable length to match strap length.
MB - Mounting Brackets

DRIVER ELECTRICAL DATA

TYPE	AC INPUT RANGE	Frequency Hz	DIMMING	POWER FACTOR	THD	OPER. AMBIENT TEMPERATURE	DIMMER TYPE	DIMMER RANGE
D11INC	120-277	50/60	YES	>0.94	≤5%	-30° C ~ 50°C	Incandescent	10-100%
D18INC	120-277	50/60	YES	>0.94	≤5%	-30° C ~ 50°C	Incandescent	10-100%
D29INC	120-277	50/60	YES	>0.94	≤5%	-30° C ~ 50°C	Incandescent	10-100%

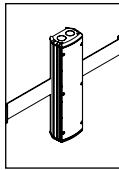
B-K LIGHTING

40429 Brickyard Drive • Madera, CA 93636 • USA
559.438.5800 • FAX 559.438.5900
www.bklighting.com • info@bklighting.com

SUBMITTAL DATE
12-16-14

DRAWING NUMBER
SUB000800.5

THIS DOCUMENT CONTAINS PROPRIETARY INFORMATION OF B-K LIGHTING, INC. AND ITS RECEIPT OR POSSESSION DOES NOT CONVEY ANY RIGHTS TO REPRODUCE, DISCLOSE ITS CONTENTS, OR TO MANUFACTURE, USE OR SELL ANYTHING IT MAY DESCRIBE. REPRODUCTION, DISCLOSURE OR USE WITHOUT SPECIFIC WRITTEN AUTHORIZATION OF B-K LIGHTING, INC. IS STRICTLY FORBIDDEN.



UNIVERSAL POWER MODULE
UPM

BKSSL
SOLID STATE LIGHTING

Constant Current Driver

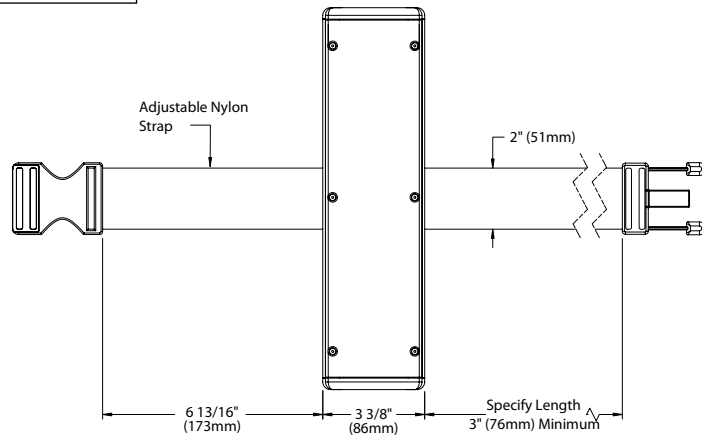


PM2 DUAL RM TREE STRAP™

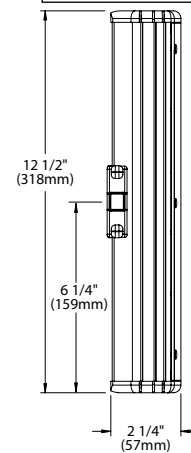
PROJECT: _____

TYPE: _____

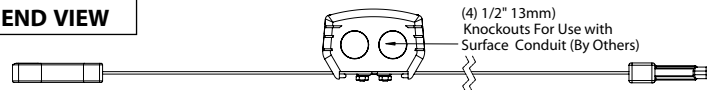
FRONT VIEW



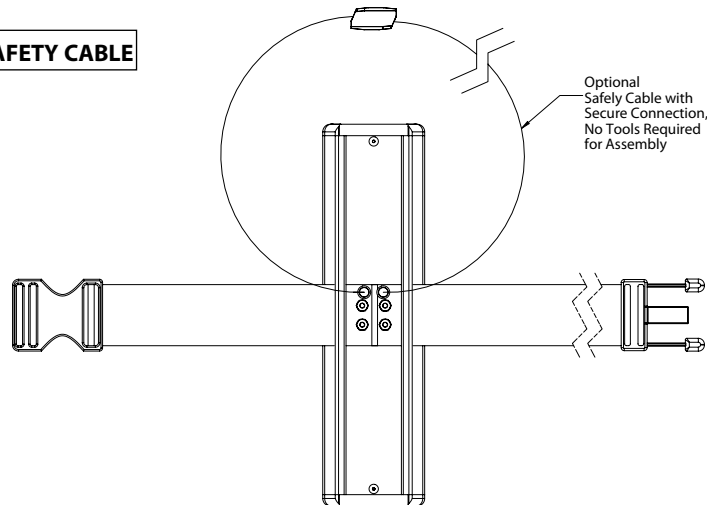
SIDE VIEW



END VIEW



SAFETY CABLE



SPECIFICATIONS

GreenSource Initiative™

Metal and packaging components are made from recycled materials. Manufactured using renewable solar energy, produced on site. Returnable to manufacturer at end of life to ensure cradle-to-cradle handling. Packaging contains no chlorofluorocarbons (CFC's). Use of this product may qualify for GreenSource efficacy and recycling rebate(s). Consult www.bklighting.com/greensource for program requirements.

Tree Installation

Tree Strap™ mounting system facilitates non-invasive installation. Adjustable nylon strap is mold and mildew resistant and will not hinder tree growth. Optional stainless steel safety cable maintains UPM mounting when nylon strap is disengaged.

Housing

Copper free, aluminum extrusion with die cast end caps. Surface mounted with flow through back channel to prevent water and debris collection. Machined aluminum cover with countersunk holes for flush hardware installation. Tamper-resistant, captive, black oxide stainless steel mounting screws.

Front access for ease of installation and inspection. [2] 1/2" NPT female conduit entries per end cap for through wiring.

Installation Tether

Stainless steel cable with integral loop allows cover to temporarily suspend from housing during installation to simplify wire connection and component attachment.

Patented Knockouts

[4] 1/2" NPT, machined aluminum knockouts. High temperature, silicone 'O' Ring for water-tight seal. Patented design allows knockout to be reinserted without compromising seal integrity.

Driver (11-29W)

For use with [2] 700mA (D11) or 1.05A (D18, D29), Class A, constant current drivers. 120-277VAC (nominal) primary input voltage. 50/60Hz. >0.94 Power Factor, <15.0A in-rush current, 0.25A input current, ≤5%THD (nominal at 120VAC full load). Output over-voltage, over-current, and short circuit protection with auto recovery. EMC: FCC47CFR Part 15 Class B compliant.

Dimming driver for use with standard incandescent dimmers. 10-100% range.

Finish

StarGuard®, our exclusive RoHs compliant, 15 stage chromate-free process cleans and conversion coats aluminum components prior to application of Class 'A' TGIC polyester powder coating.

Warranty

5 year limited warranty.

Listings

NEMA 4X / IP-66 Rated Enclosure. ETL Listed to ANSI/UL Standard 50/50E and Certified to CAN/CSA Standard C22.2 No. 94.1/94.2. RoHs compliant. Made in USA.

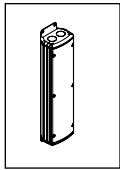


B-K LIGHTING

40429 Brickyard Drive • Madera, CA 93636 • USA
559.438.5800 • FAX 559.438.5900
www.bklighting.com • info@bklighting.com

SUBMITTAL DATE
12-16-14

DRAWING NUMBER
SUB000800.5



UNIVERSAL POWER MODULE
UPM

BKSSL
SOLID STATE LIGHTING

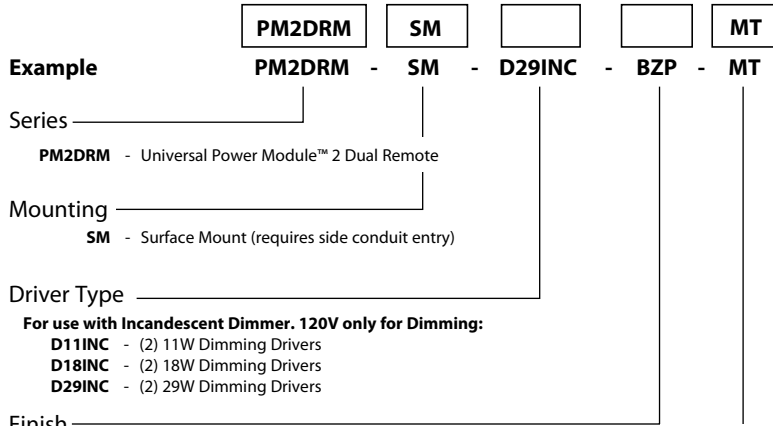
Constant Current Driver



PM2 DUAL RM SURFACE MOUNT

PROJECT:	
TYPE:	
CATALOG NUMBER:	
LAMP(S):	
NOTES:	

CATALOG NUMBER LOGIC



For use with Incandescent Dimmer. 120V only for Dimming:
D11INC - (2) 11W Dimming Drivers
D18INC - (2) 18W Dimming Drivers
D29INC - (2) 29W Dimming Drivers

Standard Finish

Powder Coat Color	Satin	Wrinkle
Bronze	BZP	BZW
Black	BLP	BLW
White (Gloss)	WHP	WHW
Aluminum	SAP	—
Verde	—	VER

Premium Finish

ABP Antique Brass Powder	CMG Cascade Mountain Granite	RMG Rocky Mountain Granite
AMG Aleutian Mountain Granite	CRI Cracked Ice	SDS Sonoran Desert Sandstone
AQW Antique White	CRM Cream	SMG Sierra Mountain Granite
BCM Black Chrome	HUG Hunter Green	TXF Textured Forest
BGE Beige	MDS Mojave Desert Sandstone	WCP Weathered Copper
BPP Brown Patina Powder	NBP Natural Brass Powder	WIR Weathered Iron
CAP Clear Anodized Powder	OCP Old Copper	<i>Also available in RAL Finishes See submittal SUB-1439-00</i>

Input Voltage ————
MT - 120-277 VAC Input

⚠ REMOTE WIRING

LED Driver

Remote driver installations require inter-connected wiring between the LED and driver (by others). Drivers have specific wiring requirements between these components. Driver manufacturers regularly recommend the following wiring details for such installations:

- Do not exceed 50 foot overall wiring distance using 12 gauge copper wire.

Failure to comply with specific wiring requirements will void product warranty.

DRIVER ELECTRICAL DATA

TYPE	AC INPUT RANGE	Frequency Hz	DIMMING	POWER FACTOR	THD	OPER. AMBIENT TEMPERATURE	DIMMER TYPE	DIMMER RANGE
D11INC	120-277	50/60	YES	>0.94	≤5%	-30° C ~ 50° C	Incandescent	10-100%
D18INC	120-277	50/60	YES	>0.94	≤5%	-30° C ~ 50° C	Incandescent	10-100%
D29INC	120-277	50/60	YES	>0.94	≤5%	-30° C ~ 50° C	Incandescent	10-100%

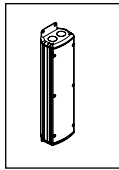
B-K LIGHTING

40429 Brickyard Drive • Madera, CA 93636 • USA
 559.438.5800 • FAX 559.438.5900
 www.bklighting.com • info@bklighting.com

SUBMITTAL DATE
12-16-14

DRAWING NUMBER
SUB000800.6

THIS DOCUMENT CONTAINS PROPRIETARY INFORMATION OF B-K LIGHTING, INC. AND ITS RECEIPT OR POSSESSION DOES NOT CONVEY ANY RIGHTS TO REPRODUCE, DISCLOSE ITS CONTENTS, OR TO MANUFACTURE, USE OR SELL ANYTHING IT MAY DESCRIBE. REPRODUCTION, DISCLOSURE OR USE WITHOUT SPECIFIC WRITTEN AUTHORIZATION OF B-K LIGHTING, INC. IS STRICTLY FORBIDDEN.



UNIVERSAL POWER MODULE
UPM

BKSSL
SOLID STATE LIGHTING

Constant Current Driver

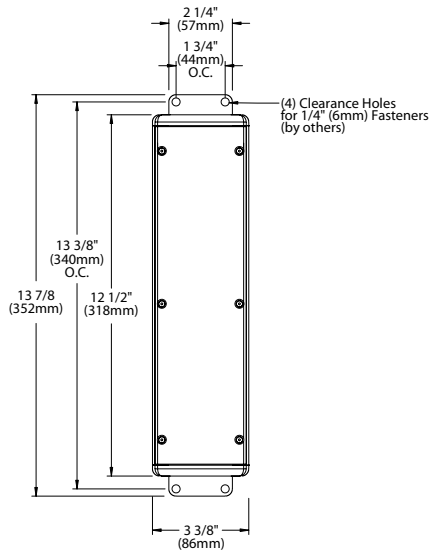


PM2 DUAL RM SURFACE MOUNT

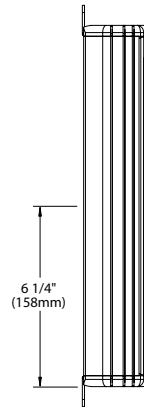
PROJECT:

TYPE:

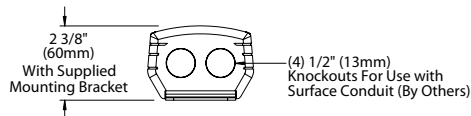
TOP VIEW



SIDE VIEW



END VIEW



SPECIFICATIONS

GreenSource Initiative™

Metal and packaging components are made from recycled materials. Manufactured using renewable solar energy, produced on site. Returnable to manufacturer at end of life to ensure cradle-to-cradle handling. Packaging contains no chlorofluorocarbons (CFC's). Use of this product may qualify for GreenSource efficacy and recycling rebate(s). Consult www.bklighting.com/greensource for program requirements.

Surface Mount

For use with side entry, surface conduits. Stainless steel mounting brackets provide for direct anchor to architectural surfaces in any orientation.

Housing

Copper free, aluminum extrusion with die cast end caps. Surface mounted with flow through back channel to prevent water and debris collection. Machined aluminum cover with countersunk holes for flush hardware installation. Tamper-resistant, captive, black oxide stainless steel mounting screws. Front access for ease of installation and inspection. [2] 1/2" NPT female conduit entries per end cap for through wiring.

Installation Tether

Stainless steel cable with integral loop allows cover to temporarily suspend from housing during installation to simplify wire connection and component attachment.

Patented Knockouts

[4] 1/2" NPT, machined aluminum knockouts. High temperature, silicone 'O' Ring for water-tight seal. Patented design allows knockout to be reinserted without compromising seal integrity.

Driver (11-29W)

For use with [2] 700mA (D11) or 1.05A (D18, D29), Class A, constant current drivers. 120-277VAC (nominal) primary input voltage. 50/60Hz. >0.94 Power Factor, <15.0A in-rush current, 0.25A input current, ≤5%THD (nominal at 120VAC full load). Output over-voltage, over-current, and short circuit protection with auto recovery. EMC: FCC47CFR Part 15 Class B compliant.

Dimming driver for use with standard incandescent dimmers. 10-100% range.

Finish

StarGuard®, our exclusive RoHs compliant, 15 stage chromate-free process cleans and conversion coats aluminum components prior to application of Class 'A' TGIC polyester powder coating.

Warranty

5 year limited warranty.

Listings

NEMA 4X / IP-66 Rated Enclosure. ETL Listed to ANSI/UL Standard 50/50E and Certified to CAN/CSA Standard C22.2 No. 94.1/94.2. RoHs compliant. Made in USA.

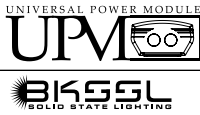
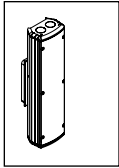


B-K LIGHTING

40429 Brickyard Drive • Madera, CA 93636 • USA
559.438.5800 • FAX 559.438.5900
www.bklighting.com • info@bklighting.com

SUBMITTAL DATE
12-16-14

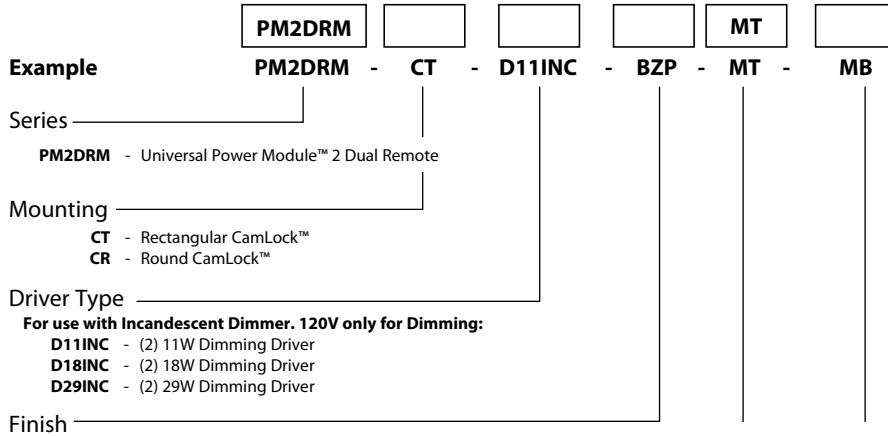
DRAWING NUMBER
SUB000800.6



PM2 DUAL RM JUNCTION BOX (CAMLOCK™)

PROJECT:	
TYPE:	
CATALOG NUMBER:	
LAMP(S):	
NOTES:	

CATALOG NUMBER LOGIC



Standard Finish

Powder Coat Color	Satin	Wrinkle
Bronze	BZP	BZW
Black	BLP	BLW
White (Gloss)	WHP	WHW
Aluminum	SAP	—
Verde	—	VER

Premium Finish

ABP Antique Brass Powder	CMG Cascade Mountain Granite	RMG Rocky Mountain Granite
AMG Aleutian Mountain Granite	CRI Cracked Ice	SDS Sonoran Desert Sandstone
AQW Antique White	CRM Cream	SMG Sierra Mountain Granite
BCM Black Chrome	HUG Hunter Green	TXF Textured Forest
BGE Beige	MDS Mojave Desert Sandstone	WCP Weathered Copper
BPP Brown Patina Powder	NBP Natural Brass Powder	WIR Weathered Iron
CAP Clear Anodized Powder	OCP Old Copper	<i>Also available in RAL Finishes See submittal SUB-1439-00</i>

Input Voltage ———— **MT** - 120-277 VAC Input

Options ———— **MB** - Mounting Brackets

⚠ REMOTE WIRING

LED Driver

Remote driver installations require inter-connected wiring between the LED and driver (by others). Drivers have specific wiring requirements between these components. Driver manufacturers regularly recommend the following wiring details for such installations:

- Do not exceed 50 foot overall wiring distance using 12 gauge copper wire.

Failure to comply with specific wiring requirements will void product warranty.

DRIVER ELECTRICAL DATA

TYPE	AC INPUT RANGE	Frequency Hz	DIMMING	POWER FACTOR	THD	OPER. AMBIENT TEMPERATURE	DIMMER TYPE	DIMMER RANGE
D11INC	120-277	50/60	YES	>0.94	≤5%	-30° C ~ 50° C	Incandescent	10-100%
D18INC	120-277	50/60	YES	>0.94	≤5%	-30° C ~ 50° C	Incandescent	10-100%
D29INC	120-277	50/60	YES	>0.94	≤5%	-30° C ~ 50° C	Incandescent	10-100%

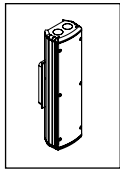
B-K LIGHTING

40429 Brickyard Drive • Madera, CA 93636 • USA
559.438.5800 • FAX 559.438.5900
www.bklighting.com • info@bklighting.com

SUBMITTAL DATE
12-15-14

DRAWING NUMBER
SUB000800.7

THIS DOCUMENT CONTAINS PROPRIETARY INFORMATION OF B-K LIGHTING, INC. AND ITS RECEIPT OR POSSESSION DOES NOT CONVEY ANY RIGHTS TO REPRODUCE, DISCLOSE ITS CONTENTS, OR TO MANUFACTURE, USE OR SELL ANYTHING IT MAY DESCRIBE. REPRODUCTION, DISCLOSURE OR USE WITHOUT SPECIFIC WRITTEN AUTHORIZATION OF B-K LIGHTING, INC. IS STRICTLY FORBIDDEN.



UNIVERSAL POWER MODULE
UPM

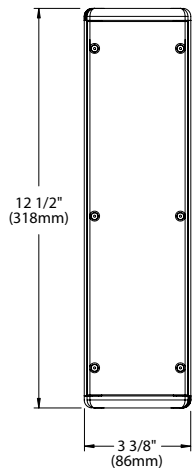
BKSSL
SOLID STATE LIGHTING

Constant Current Driver

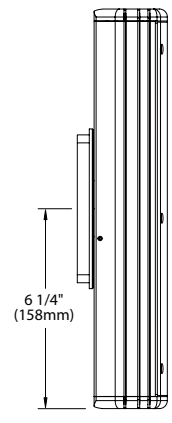
PM2 DUAL RM JUNCTION BOX (CAMLOCK™)

PROJECT:	
TYPE:	

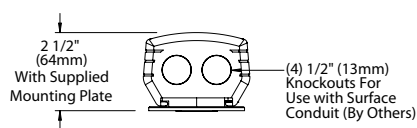
TOP VIEW



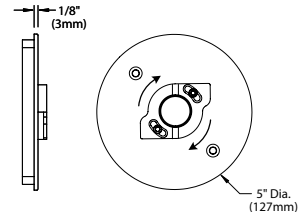
SIDE VIEW



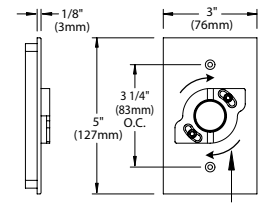
END VIEW



ROUND CAMLOCK™ CANOPY



RECTANGULAR CAMLOCK™ CANOPY



SPECIFICATIONS

GreenSource Initiative™

Metal and packaging components are made from recycled materials. Manufactured using renewable solar energy, produced on site. Returnable to manufacturer at end of life to ensure cradle-to-cradle handling. Packaging contains no chlorofluorocarbons (CFC's). Use of this product may qualify for GreenSource efficacy and recycling rebate(s). Consult www.bklighting.com/greensource for program requirements.

Round CamLock™ Canopy (Recessed Junction Box)

5" diameter, machined aluminum construction. Includes stainless steel universal mounting ring for use with 4" octagonal junction box. [2] tamper-resistant, black oxide stainless steel mounting screws. 1/8" thick HT-805A silicone foam gasket for water-tight seal. Integral CamLock™ provides additional 30° adjustment for precision alignment of UPM regardless of junction box orientation. Integral wiper seal maintains water-tight integrity between UPM and junction box. Optional stainless steel mounting brackets may be specified to provide additional anchor to architectural surface.

Rectangular CamLock™ Canopy (Recessed Junction Box)

Machined aluminum, 3" x 5" rectangular canopy for use with single gang junction box. [2] tamper resistant, black oxide stainless steel mounting screws. 1/8" thick HT-805A silicone foam gasket for water-tight seal. Integral

CamLock™ provides additional 30° adjustment for precision alignment of UPM regardless of junction box orientation. Integral wiper seal maintains water-tight integrity between UPM and junction box. Optional stainless steel mounting brackets may be specified to provide additional anchor to architectural surface.

Housing

Copper free, aluminum extrusion with die cast end caps. Surface mounted with flow through back channel to prevent water and debris collection. Machined aluminum cover with countersunk holes for flush hardware installation. Tamper-resistant, captive, black oxide stainless steel mounting screws. Front access for ease of installation and inspection. [2] 1/2" NPT female conduit entries per end cap for through wiring.

Installation Tether

Stainless steel cable with integral loop allows cover to temporarily suspend from housing during installation to simplify wire connection and component attachment.

Patented Knockouts

[4] 1/2" NPT, machined aluminum knockouts. High temperature, silicone 'O' Ring for water-tight seal. Patented design allows knockout to be reinserted without compromising seal integrity.

Driver (11-29W)

For use with [2] 700mA (D11) or 1.05A (D18, D29), Class A, constant current drivers. 120-277VAC (nominal) primary input voltage. 50/60Hz. >0.94 Power Factor, <15.0A in-rush current, 0.25A input current, ≤5%THD (nominal at 120VAC full load). Output over-voltage, over-current, and short circuit protection with auto recovery. EMC: FCC47CFR Part 15 Class B compliant.

Dimming driver for use with standard incandescent dimmers. 10-100% range.

Finish

StarGuard®, our exclusive RoHs compliant, 15 stage chromate-free process cleans and conversion coats aluminum components prior to application of Class 'A' TGIC polyester powder coating.

Warranty

5 year limited warranty.

Listings

NEMA 4X / IP-66 Rated Enclosure. ETL Listed to ANSI/UL Standard 50/50E and Certified to CAN/CSA Standard C22.2 No. 94.1/94.2. RoHs compliant. Made in USA.



B-K LIGHTING	40429 Brickyard Drive • Madera, CA 93636 • USA 559.438.5800 • FAX 559.438.5900 www.bklighting.com • info@bklighting.com	SUBMITTAL DATE	DRAWING NUMBER
		12-15-14	SUB000800.7

Denali Series™ - Flood

LED lighting facts®
A Program of the U.S. DOE

Light Output (Lumens)	616
Watts	17.7
Lumens per Watt (Efficacy)	34

Color Accuracy Color Rendering Index (CRI)	79
---	----

Light Color
Correlated Color Temperature (CCT) **2556 (Warm White)**

Warm White | Bright White | Daylight
2700K | 3000K | 4500K | 6500K

All results are according to IESNA LM-79-2008: Approved Method for the Electrical and Photometric Testing of Solid-State Lighting. The U.S. Department of Energy (DOE) verifies product test data and results.

Visit www.lightingfacts.com for the **Label Reference Guide**.

Registration Number: GCXY-D8PLTG (10/24/2011)
Model Number: DE-LED-X21-FL-9-C
Type: Other

Denali Series™

LED lighting facts®
A Program of the U.S. DOE

Light Output (Lumens)	603
Watts	17.5
Lumens per Watt (Efficacy)	34

Color Accuracy Color Rendering Index (CRI)	81
---	----

Light Color
Correlated Color Temperature (CCT) **2918 (Warm White)**

Warm White | Bright White | Daylight
2700K | 3000K | 4500K | 6500K

All results are according to IESNA LM-79-2008: Approved Method for the Electrical and Photometric Testing of Solid-State Lighting. The U.S. Department of Energy (DOE) verifies product test data and results.

Visit www.lightingfacts.com for the **Label Reference Guide**.

Registration Number: GCXY-GCEYF3 (10/24/2011)
Model Number: DE-LED-X22-FL-9-C
Type: Other

Denali Series™ - Flood

LED lighting facts®
A Program of the U.S. DOE

Light Output (Lumens)	642
Watts	17.9
Lumens per Watt (Efficacy)	35

Color Accuracy Color Rendering Index (CRI)	81
---	----

Light Color
Correlated Color Temperature (CCT) **3919 (Bright White)**

Warm White | Bright White | Daylight
2700K | 3000K | 4500K | 6500K

All results are according to IESNA LM-79-2008: Approved Method for the Electrical and Photometric Testing of Solid-State Lighting. The U.S. Department of Energy (DOE) verifies product test data and results.

Visit www.lightingfacts.com for the **Label Reference Guide**.

Registration Number: GCXY-H2G16L (10/24/2011)
Model Number: DE-LED-X23-FL-9-C
Type: Other

Denali Series™ - Spot

LED lighting facts®
A Program of the U.S. DOE

Light Output (Lumens)	649
Watts	17.9
Lumens per Watt (Efficacy)	36

Color Accuracy Color Rendering Index (CRI)	81
---	----

Light Color
Correlated Color Temperature (CCT) **3999 (Bright White)**

Warm White | Bright White | Daylight
2700K | 3000K | 4500K | 6500K

All results are according to IESNA LM-79-2008: Approved Method for the Electrical and Photometric Testing of Solid-State Lighting. The U.S. Department of Energy (DOE) verifies product test data and results.

Visit www.lightingfacts.com for the **Label Reference Guide**.

Registration Number: GCXY-BM6YSA (10/24/2011)
Model Number: DE-LED-X23-SP-9-C
Type: Other

Denali Series™ - Wide Flood

LED lighting facts®
A Program of the U.S. DOE

Light Output (Lumens)	672
Watts	17.9
Lumens per Watt (Efficacy)	37

Color Accuracy Color Rendering Index (CRI)	81
---	----

Light Color
Correlated Color Temperature (CCT) **3951 (Bright White)**

Warm White | Bright White | Daylight
2700K | 3000K | 4500K | 6500K

All results are according to IESNA LM-79-2008: Approved Method for the Electrical and Photometric Testing of Solid-State Lighting. The U.S. Department of Energy (DOE) verifies product test data and results.

Visit www.lightingfacts.com for the **Label Reference Guide**.

Registration Number: GCXY-DNDGMK (10/24/2011)
Model Number: DE-LED-X23-WFL-9-C
Type: Other

Denali Series™ - Flood

LED lighting facts®
A Program of the U.S. DOE

Light Output (Lumens)	927
Watts	28.2
Lumens per Watt (Efficacy)	32

Color Accuracy Color Rendering Index (CRI)	79
---	----

Light Color
Correlated Color Temperature (CCT) **2677 (Warm White)**

Warm White | Bright White | Daylight
2700K | 3000K | 4500K | 6500K

All results are according to IESNA LM-79-2008: Approved Method for the Electrical and Photometric Testing of Solid-State Lighting. The U.S. Department of Energy (DOE) verifies product test data and results.

Visit www.lightingfacts.com for the **Label Reference Guide**.

Registration Number: GCXY-548M1Y (10/24/2011)
Model Number: DE-LED-X24-FL-9-C
Type: Other

Denali Series™ - Flood

LED lighting facts
A Program of the U.S. DOE

Light Output (Lumens)	918
Watts	28.7
Lumens per Watt (Efficacy)	32

Color Accuracy Color Rendering Index (CRI)	82
--	-----------

Light Color Correlated Color Temperature (CCT)	2899 (Warm White)
--	--------------------------

Warm White	Bright White	Daylight
2700K	3000K	4500K 6500K

Warranty** Yes

All results, except LED Lumen Maintenance, are according to IESNA LM-79-2008: Approved Method for the Electrical and Photometric Testing of Solid-State Lighting. The U.S. Department of Energy (DOE) verifies product test data and results.

Visit www.lightingfacts.com for the Label Reference Guide.

Registration Number: GCXV-XFL72D (Revised 10/25/2011)
Model Number: DE-LED-X25-FL-9-C
Type: Other

Denali Series™ - Flood

LED lighting facts
A Program of the U.S. DOE

Light Output (Lumens)	954
Watts	28.5
Lumens per Watt (Efficacy)	33

Color Accuracy Color Rendering Index (CRI)	82
--	-----------

Light Color Correlated Color Temperature (CCT)	3972 (Bright White)
--	----------------------------

Warm White	Bright White	Daylight
2700K	3000K	4500K 6500K

Warranty** Yes

All results, except LED Lumen Maintenance, are according to IESNA LM-79-2008: Approved Method for the Electrical and Photometric Testing of Solid-State Lighting. The U.S. Department of Energy (DOE) verifies product test data and results.

** See www.lightingfacts.com/products for details.

Registration Number: GCXV-PMJYG7 (5/30/2012)
Model Number: DE-LED-X26-FL-9-C
Type: Other

Denali Series™ - Spot

LED lighting facts
A Program of the U.S. DOE

Light Output (Lumens)	971
Watts	28.5
Lumens per Watt (Efficacy)	34

Color Accuracy Color Rendering Index (CRI)	82
--	-----------

Light Color Correlated Color Temperature (CCT)	4043 (Bright White)
--	----------------------------

Warm White	Bright White	Daylight
2700K	3000K	4500K 6500K

Warranty** Yes

All results, except LED Lumen Maintenance, are according to IESNA LM-79-2008: Approved Method for the Electrical and Photometric Testing of Solid-State Lighting. The U.S. Department of Energy (DOE) verifies product test data and results.

** See www.lightingfacts.com/products for details.

Registration Number: GCXV-VLXJVG (5/30/2012)
Model Number: DE-LED-X26-SP-9-C
Type: Other

Denali Series™ - Spot Rectilinear

LED lighting facts
A Program of the U.S. DOE

Light Output (Lumens)	1027
Watts	28.5
Lumens per Watt (Efficacy)	36

Color Accuracy Color Rendering Index (CRI)	82
--	-----------

Light Color Correlated Color Temperature (CCT)	4014 (Bright White)
--	----------------------------

Warm White	Bright White	Daylight
2700K	3000K	4500K 6500K

Warranty** Yes

All results, except LED Lumen Maintenance, are according to IESNA LM-79-2008: Approved Method for the Electrical and Photometric Testing of Solid-State Lighting. The U.S. Department of Energy (DOE) verifies product test data and results.

** See www.lightingfacts.com/products for details.

Registration Number: GCXV-4H11T8 (5/30/2012)
Model Number: DE-LED-X26-SP-13-C
Type: Other

Denali Series™ - Wide Flood

LED lighting facts
A Program of the U.S. DOE

Light Output (Lumens)	1005
Watts	28.5
Lumens per Watt (Efficacy)	35

Color Accuracy Color Rendering Index (CRI)	83
--	-----------

Light Color Correlated Color Temperature (CCT)	4005 (Bright White)
--	----------------------------

Warm White	Bright White	Daylight
2700K	3000K	4500K 6500K

Warranty** Yes

All results, except LED Lumen Maintenance, are according to IESNA LM-79-2008: Approved Method for the Electrical and Photometric Testing of Solid-State Lighting. The U.S. Department of Energy (DOE) verifies product test data and results.

** See www.lightingfacts.com/products for details.

Registration Number: GCXV-XKPAH1 (5/30/2012)
Model Number: DE-LED-X26-WLF-9-C
Type: Other