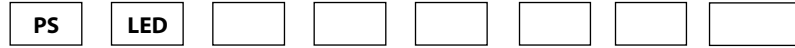


PATH STAR™

PROJECT:	
TYPE:	
CATALOG NUMBER:	
SOURCE:	
NOTES:	

CATALOG NUMBER LOGIC



Example:

Series PS - Path Star™ Pathlight

Source LED - 'e' Technology with Integral Driver

LED Type e22 - 8WLED/3K e23 - 8WLED/4K
e22 - 8WLED/3K e27 - 8WLED/Amber

Adjust-e-Lume® Output Intensity** (Choose factory setting)
A9 (Standard), A8, A7, A6, A5, A4, A3, A2, A1
 **Please see Adjust-e-Lume® photometry to determine desired intensity.

Finish _____

Standard Finish

Powder Coat Color	Satin	Wrinkle
Bronze	BZP	BZW
Black	BLP	BLW
White (Gloss)	WHP	WHW
Aluminum	SAP	—
Verde	—	VER

Premium Finish

ABP Antique Brass Powder	CAP Clear Anodized Powder	OCP Old Copper
AMG Sierra Mountain Granite	CMG Cascade Mountain Granite	RMG Rocky Mountain Granite
AMG Aleutian Mountain Granite	CRI Cracked Ice	SDS Sonoran Desert Sandstone
AQW Antique White	CRM Cream	TXF Textured Forest
BCM Black Chrome	HUG Hunter Green	WCP Weathered Copper
BGE Beige	MDS Mojave Desert Sandstone	WIR Weathered Iron
BPP Brown Patina Powder	NBP Natural Brass Powder	<i>Also available in RAL Finishes See submittal SUB-1439-00</i>

Style _____
A - Short (68° Cutoff)
B - Long (90° Cutoff)

Options _____
Blank - Standard Aluminum Base
PP - Standard Aluminum Base with 12" Power Pipe™ Stake
SF - Stability Flange (for use with Power Pipe™)

Transformer Options _____
T - Integral TRe20 Electronic Transformer (105-300 VAC, 50/60 Hz, Non-Dimming)

DRIVER DATA

Input Volts
12VAC/DC 50/60Hz

InRush Current
< 1A (non-dimmed)

Operation Ambient Temperature
-10°F-130°F

LM79 DATA

BK No.	CCT (Typ.)	Input Watts (Typ.)	CRI (Typ.)
e36	2700K	8.4	90
e22	3100K	8.4	90
e23	4100K	8.4	75
e27	Amber (590nm)	7.9	~

L70 DATA

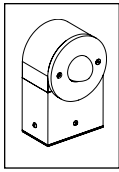
Minimum Rated Life (hrs.) 70% of initial lumens (L70)
50,000
50,000
50,000
50,000

B-K LIGHTING

40429 Brickyard Drive • Madera, CA 93636 • USA
 559.438.5800 • FAX 559.438.5900
 www.bklighting.com • info@bklighting.com

SUBMITTAL DATE
08-12-14

DRAWING NUMBER
SUB000891



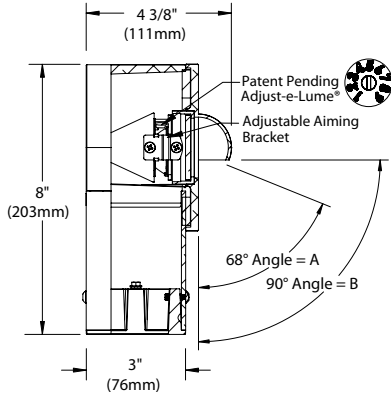
BKSSL
SOLID STATE LIGHTING

the power of with **adjust-e-lume** TECHNOLOGY

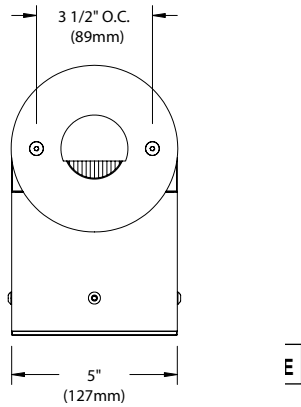
PATH STAR™

PROJECT:	
TYPE:	

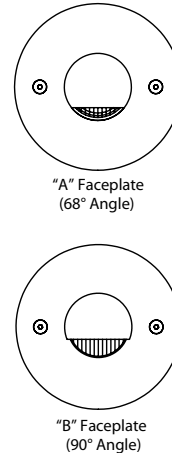
SIDE VIEW



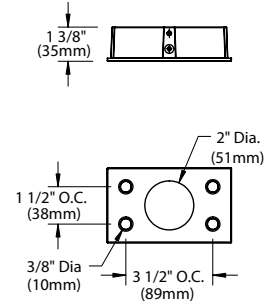
FRONT VIEW



FACEPLATE OPTIONS

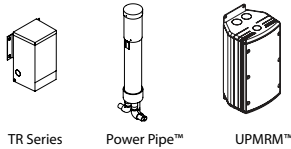


ANCHOR BASE

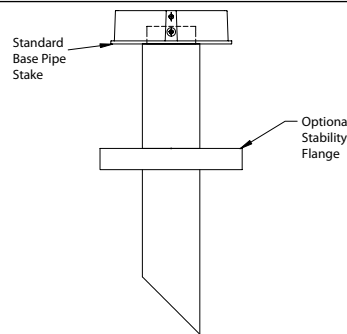


Accessories (Configure separately)

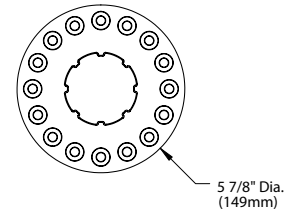
Remote options:



POWER PIPE™ MOUNTING OPTION



OPTIONAL STABILITY FLANGE



All dimensions indicated on this submittal are nominal. Contact Technical Sales if you require more stringent specifications.

SPECIFICATIONS

GreenSource Initiative™

Metal and packaging components are made from recycled materials. Manufactured using renewable solar energy, produced onsite. Returnable to manufacturer at end of life to ensure cradle-to-cradle handling. Packaging contains no chlorofluorocarbons (CFC's). Use of this product may qualify for GreenSource efficacy and recycling rebate(s). Consult www.bklighting.com/greensource for program requirements.

Materials

Furnished in Copper-Free Aluminum (Type 360).

Housing

Half-round top is cast construction with machined finish. Sidewalls are machined extrusion with [4] machined mounting holes.

Faceplate

Cast construction with machined finish. Countersunk holes provide for flush hardware mounting with [2] tamper-resistant, stainless steel mounting screws.

Lens

Shock resistant, heat-treated, glass lens is factory adhered to faceplate and provides hermetically sealed optical compartment. Rectilinear pattern provides wide lateral distribution and long forward throw.

BKSSL®

Integrated solid state system with 'e' technology is scalable for field upgrade. Modular design with electrical quick disconnects permit field maintenance. High power, forward throw source complies with ANSI C78.377 binning requirements. Exceeds ENERGY STAR® lumen maintenance requirements. LM-80 certified components.

Integral, constant current driver. 12VAC/VDC input. 50/60Hz. Proprietary input control scheme achieves power factor correction and eliminates inrush current. Output, over-voltage, open-circuit, and short circuit protected. Inrush current limited to <1A. Conforms to Safety Std. C22.2 No. 250.13-12.

Adjust-e-Lume® (Pat. Pending)

Integral electronics allows dynamic lumen response at the individual fixture. Indexed (100% to 25% nom.) lumen output. Maintains output at desired level or may be changed as conditions require. Specify factory preset output intensity.

Cutoff and Aiming

Choice of 90° or 68° optical cutoff for mounting heights well below typical visual glare angles. Adjustable optical bracket provides up to 24° vertical aiming.

Installation

Cast anchor base with 2" dia. slip conduit hole and [4] 3/8" dia. anchor bolt holes (hardware by others). Anchor base provided with hard-coat (Type III) black anodize finish for maximum corrosion resistance. Optional 12" Power Pipe™ for direct burial into soil or concrete. Power Pipe™ additionally features optional 6" diameter, molded stability flange, which simplifies installation and projects into substrate to reinforce housing stability.

Transformer

For use with 12VAC BKSSL remote transformer. Also available with optional integral, TRe20 electronic transformer. 105-300VAC primary voltage. 50/60Hz. Non Dimming. 20VA maximum load.

Wiring

Teflon® coated, 18AWG, 600V, 250° C rated and certified to UL 1659 standard.

Hardware

Tamper-resistant, stainless steel hardware. Faceplate and base screws are additionally black oxide treated for additional corrosion resistance.

Finish

StarGuard®, our exclusive RoHs compliant, 15 stage chromate-free process cleans and conversion coats aluminum components prior to application of Class 'A' TGIC polyester powder coating.

Warranty

5 year limited warranty.

Certification and Listing

ITL tested to IESNA LM-79. Lighting Facts Registration per USDOE (www.lightingfacts.com). ETL Listed to ANSI/UL Standard 1838 and UL Subject 8750 and Certified to CAN/CSA Standard C22.2 No. 9. IP66 Rated. RoHs compliant. Suitable for indoor or outdoor use. Additionally suitable for use in wet locations. Suitable for installation within 4' of the ground. IP66 Rated. Made in USA.



*Teflon is a registered trademark of DuPont Corporation. Energy Star is a registered trademark of the United States Environmental Protection Agency.

Path Star™ - A cutoff with 0°

lighting facts

A Program of the U.S. DOE

Light Output (Lumens)	41
Watts	8
Lumens per Watt (Efficacy)	5

Color Accuracy	68
Color Rendering Index (CRI)	

Light Color
Correlated Color Temperature (CCT)

2700K Warm White 3000K Bright White 4500K Bright White 6500K Daylight

All results are according to IESNA LM-79-2008; Approved Method for the Electrical and Photometric Testing of Solid-State Lighting. The U.S. Department of Energy (DOE) verifies product test data and results.

Visit www.lightingfacts.com for the Label Reference Guide.

Registration Number: GCXV-VRZNOQ
Model Number: PS-LED-e23-A-0°
Type: Outdoor path/step/rail light

Path Star™ - B cutoff with 0°

lighting facts

A Program of the U.S. DOE

Light Output (Lumens)	72
Watts	8
Lumens per Watt (Efficacy)	9

Color Accuracy	68
Color Rendering Index (CRI)	

Light Color
Correlated Color Temperature (CCT)

2700K Warm White 3000K Bright White 4500K Bright White 6500K Daylight

All results are according to IESNA LM-79-2008; Approved Method for the Electrical and Photometric Testing of Solid-State Lighting. The U.S. Department of Energy (DOE) verifies product test data and results.

Visit www.lightingfacts.com for the Label Reference Guide.

Registration Number: GCXV-7RS2EZ
Model Number: PS-LED-e23-B-0°
Type: Outdoor path/step/rail light

Path Star™ - A cutoff with 24°

lighting facts

A Program of the U.S. DOE

Light Output (Lumens)	51
Watts	7.9
Lumens per Watt (Efficacy)	6

Color Accuracy	69
Color Rendering Index (CRI)	

Light Color
Correlated Color Temperature (CCT)

2700K Warm White 3000K Bright White 4500K Bright White 6500K Daylight

All results are according to IESNA LM-79-2008; Approved Method for the Electrical and Photometric Testing of Solid-State Lighting. The U.S. Department of Energy (DOE) verifies product test data and results.

Visit www.lightingfacts.com for the Label Reference Guide.

Registration Number: GCXV-D32NM5
Model Number: PS-LED-e23-A-24°
Type: Outdoor path/step/rail light

Path Star™ - B cutoff with 24°

lighting facts

A Program of the U.S. DOE

Light Output (Lumens)	86
Watts	7.9
Lumens per Watt (Efficacy)	10

Color Accuracy	69
Color Rendering Index (CRI)	

Light Color
Correlated Color Temperature (CCT)

2700K Warm White 3000K Bright White 4500K Bright White 6500K Daylight

All results are according to IESNA LM-79-2008; Approved Method for the Electrical and Photometric Testing of Solid-State Lighting. The U.S. Department of Energy (DOE) verifies product test data and results.

Visit www.lightingfacts.com for the Label Reference Guide.

Registration Number: GCXV-SCJ5VP
Model Number: PS-LED-e23-B-24°
Type: Outdoor path/step/rail light