

the power of

MINI-MICRO™ TWIN STAFF STAR STYLE C

PROJECT:	
TYPE:	
CATALOG NUMBER:	
SOURCE:	
NOTES:	

CATALOG NUMBER LOGIC

	TF		C	MM	LED																																																																
Example:	TF	-	24	-	C	-	MM	-	LED	-	e11	-	SP	-	VER	-	12	-	11	-	A	-																																															
Series	TF - Twin Staff Star™ Pathlight																																																																				
Stem Length	24", 30", 36", 42", 48", *54", *60", *66", or *72" (Specify in inches) * For use with Standard Anchor Base Only																																																																				
Style	C - Straight Mount																																																																				
Fixture	MM - Mini-Micro™																																																																				
Source	LED - 'e' Technology with Integral Driver Designed for use with remote 12VAC BKSSL® transformers.																																																																				
LED Type	<table border="0"> <tr> <td>e38 - 3WLED/2.7K</td> <td>e11 - 3WLED/4K</td> </tr> <tr> <td>e10 - 3WLED/3K</td> <td>e15 - 3WLED/Amber</td> </tr> </table>																						e38 - 3WLED/2.7K	e11 - 3WLED/4K	e10 - 3WLED/3K	e15 - 3WLED/Amber																																											
e38 - 3WLED/2.7K	e11 - 3WLED/4K																																																																				
e10 - 3WLED/3K	e15 - 3WLED/Amber																																																																				
Optics	SP - Spot (Green Indicator) FL - Flood (Blue Indicator)																																																																				
Finish	Aluminum Finish											Premium Finish																																																									
	<table border="1"> <thead> <tr> <th>Powder Coat Color</th> <th>Satin</th> <th>Wrinkle</th> </tr> </thead> <tbody> <tr> <td>Bronze</td> <td>BZP</td> <td>BZW</td> </tr> <tr> <td>Black</td> <td>BLP</td> <td>BLW</td> </tr> <tr> <td>White (Gloss)</td> <td>WHP</td> <td>WHW</td> </tr> <tr> <td>Aluminum</td> <td>SAP</td> <td>—</td> </tr> <tr> <td>Verde</td> <td>—</td> <td>VER</td> </tr> </tbody> </table>			Powder Coat Color	Satin	Wrinkle	Bronze	BZP	BZW	Black	BLP	BLW	White (Gloss)	WHP	WHW	Aluminum	SAP	—	Verde	—	VER	<table border="1"> <thead> <tr> <th>ABP</th> <th>CMG</th> <th>RMG</th> </tr> </thead> <tbody> <tr> <td>Antique Brass Powder</td> <td>Cascade Mountain Granite</td> <td>Rocky Mountain Granite</td> </tr> <tr> <td>AMG</td> <td>CRI</td> <td>SDS</td> </tr> <tr> <td>Aleutian Mountain Granite</td> <td>Cracked Ice</td> <td>Sonoran Desert Sandstone</td> </tr> <tr> <td>AQW</td> <td>CRM</td> <td>SMG</td> </tr> <tr> <td>Antique White</td> <td>Cream</td> <td>Sierra Mountain Granite</td> </tr> <tr> <td>BCM</td> <td>HUG</td> <td>TXF</td> </tr> <tr> <td>Black Chrome</td> <td>Hunter Green</td> <td>Textured Forest</td> </tr> <tr> <td>BGE</td> <td>MDS</td> <td>WCP</td> </tr> <tr> <td>Beige</td> <td>Mojave Desert Sandstone</td> <td>Weathered Copper</td> </tr> <tr> <td>BPP</td> <td>NBP</td> <td>WIR</td> </tr> <tr> <td>Brown Patina Powder</td> <td>Natural Brass Powder</td> <td>Weathered Iron</td> </tr> <tr> <td>CAP</td> <td>OCP</td> <td></td> </tr> <tr> <td>Clear Anodized Powder</td> <td>Old Copper</td> <td></td> </tr> </tbody> </table>			ABP	CMG	RMG	Antique Brass Powder	Cascade Mountain Granite	Rocky Mountain Granite	AMG	CRI	SDS	Aleutian Mountain Granite	Cracked Ice	Sonoran Desert Sandstone	AQW	CRM	SMG	Antique White	Cream	Sierra Mountain Granite	BCM	HUG	TXF	Black Chrome	Hunter Green	Textured Forest	BGE	MDS	WCP	Beige	Mojave Desert Sandstone	Weathered Copper	BPP	NBP	WIR	Brown Patina Powder	Natural Brass Powder	Weathered Iron	CAP	OCP		Clear Anodized Powder	Old Copper		<i>Also available in RAL Finishes See submittal SUB-1439-00</i>		
Powder Coat Color	Satin	Wrinkle																																																																			
Bronze	BZP	BZW																																																																			
Black	BLP	BLW																																																																			
White (Gloss)	WHP	WHW																																																																			
Aluminum	SAP	—																																																																			
Verde	—	VER																																																																			
ABP	CMG	RMG																																																																			
Antique Brass Powder	Cascade Mountain Granite	Rocky Mountain Granite																																																																			
AMG	CRI	SDS																																																																			
Aleutian Mountain Granite	Cracked Ice	Sonoran Desert Sandstone																																																																			
AQW	CRM	SMG																																																																			
Antique White	Cream	Sierra Mountain Granite																																																																			
BCM	HUG	TXF																																																																			
Black Chrome	Hunter Green	Textured Forest																																																																			
BGE	MDS	WCP																																																																			
Beige	Mojave Desert Sandstone	Weathered Copper																																																																			
BPP	NBP	WIR																																																																			
Brown Patina Powder	Natural Brass Powder	Weathered Iron																																																																			
CAP	OCP																																																																				
Clear Anodized Powder	Old Copper																																																																				
Lens Type	12 - Soft Focus Lens 13 - Rectilinear Lens																																																																				
Shielding	11 - Honeycomb Baffle																																																																				
Cap Style	A - 45° B - 90° C - Flush D - 45° less Weep Hole (Interior Use Only) E - 90° less Weep Hole (Interior Use Only)																																																																				
Options	Blank - Anchor Base (Standard, for use with remote transformer) PP18B - 18" Power Pipe™ stake with 'B' Cap (for use with remote transformer) PP-TR20 - Power Pipe™ "T" option with 18" stake and TR20 Electronic Transformer** (105-300 VAC, 50/60 Hz, Non-Dimming) **For use with up to 48" maximum stem length SF - Stability Flange (for use with Power Pipe™)																																																																				

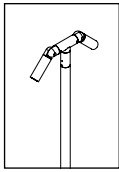
DRIVER DATA	Input Volts 12VAC/DC 50/60Hz	InRush Current 10A Max	Operation Ambient Temperature -10°F-130°F
--------------------	--	----------------------------------	---

LM79 DATA				L70 DATA	
BK No.	CCT (Typ.)	Input Watts (Typ.)	CRI	Minimum Rated Life (hrs.) 70% of initial lumens (L70)	
e38	2700K	3.0	90	50,000	
e10	3100K	3.0	90	50,000	
e11	4100K	3.0	75	50,000	
e15	Amber (590nm)	2.8	~	50,000	

*OPTICAL DATA			
Beam Type	Angle	CBCP	Visual Indicator
Spot	16°	780	Green Dot
Flood	33°	297	Blue Dot

B-K LIGHTING	40429 Brickyard Drive • Madera, CA 93636 • USA 559.438.5800 • FAX 559.438.5900 www.bklighting.com • info@bklighting.com	SUBMITTAL DATE 01-16-15	DRAWING NUMBER SUB000995
---------------------	---	----------------------------	-----------------------------

THIS DOCUMENT CONTAINS PROPRIETARY INFORMATION OF B-K LIGHTING, INC. AND ITS RECEIPT OR POSSESSION DOES NOT CONVEY ANY RIGHTS TO REPRODUCE, DISCLOSE ITS CONTENTS, OR TO MANUFACTURE, USE OR SELL ANYTHING IT MAY DESCRIBE. REPRODUCTION, DISCLOSURE OR USE WITHOUT SPECIFIC WRITTEN AUTHORIZATION OF B-K LIGHTING, INC. IS STRICTLY FORBIDDEN.

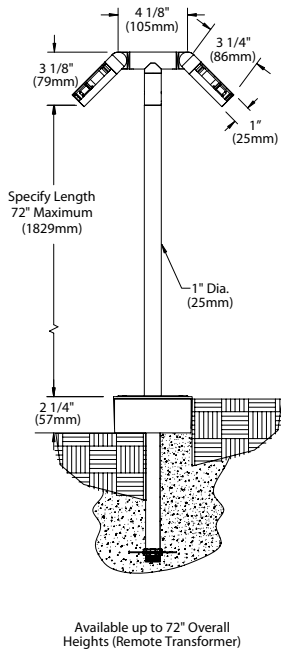


the power of

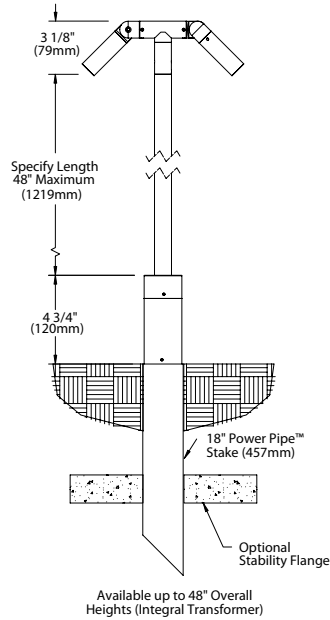
MINI-MICRO™ TWIN STAFF STAR STYLE C

PROJECT:	
TYPE:	

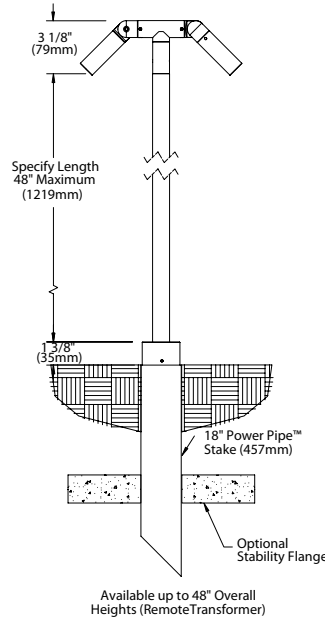
ANCHOR BASE



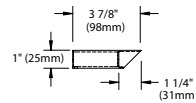
POWER PIPE 'T' (Mounting Option)



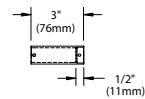
POWER PIPE™ (Mounting Option)



"A/D" CAP



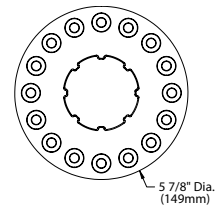
"B/E" CAP



"C" CAP



STABILITY FLANGE (optional)



All dimensions indicated on this submittal are nominal. Contact Technical Sales if you require more stringent specifications.

SPECIFICATIONS

GreenSource Initiative™

Metal and packaging components are made from recycled materials. Manufactured using renewable solar energy, produced on site. Returnable to manufacturer at end of life to ensure cradle-to-cradle handling. Packaging contains no chlorofluorocarbons (CFC's). Use of this product may qualify for GreenSource efficacy and recycling rebate(s). Consult www.bklighting.com/greensource for program requirements.

Style

'C' Style provides straight profile. Machined 'T' adapter enables independent fixture adjustment from a single mounting position.

Materials

Furnished in Copper-Free Aluminum (Type 6061-T6).

Body

Fully machined from solid billet. Unibody design provides enclosed, water-proof wireway and integral heat sink for maximum component life. Integral knuckle for maximum mechanical strength. High temperature, silicone 'O' Ring provides water-tight seal.

Knuckle

The LOCK™ (Locking 'O' Ring Compression Knuckle) is comprised of two components. The first is integral to the body and features an interior, machined taper. The second is machined from solid billet and features a second, reverse angle taper. The resultant mechanical taper-lock allows a full 180° vertical adjustment without the use of serrated teeth, which inherently limit aiming. High temperature, silicone 'O' Ring provides water-tight seal and compressive resistance to maintain fixture position. Design withstands 73 lb. static load prior to movement to ensure decades of optical alignment. Biaxial source control with 360° horizontal rotation in addition to vertical adjustment.

Cap

Fully machined. Accommodates [1] lens or louver media. Choose from 45° cutoff ('A' or 'D'), 3/8" deep bezel with 90° cutoff ('B' or 'E'), or flush lens ('C') cap styles. 'A' and 'B' caps include weep-hole for water and debris drainage. 'D' and 'E' caps exclude weep-hole and are for interior use only.

Stem

Fully machined, 1" dia. with internal threads for maximum visual appeal. Available in configurable lengths to 72" maximum overall (with Anchor Base) and 48" maximum overall (with Power Pipe™).

Lens

Shock resistant, tempered, glass lens is factory adhered to fixture cap and provides hermetically sealed optical compartment. Specify soft focus (#12) or rectilinear (#13) lens.

BKSSL®

Integrated solid state system with 'e' technology. High power, forward throw source complies with ANSI C78.377 binning requirements. Exceeds ENERGY STAR® lumen maintenance requirements. LM-80 certified components.

Integral non-dimming driver. Minimum 50,000 hour rated life at 70% of initial lumens (L70). BKSSL technology provides long life, significant energy reduction and exceptional thermal management.

Optics

OPTIKI™ modules are color-coded for easy reference: Spot (SP) = Green. Flood (FL) = Blue.

Installation

Available for installation in three distinct mounting conditions:

Anchor Base (Standard)

Cast aluminum junction box with pass-through cover. 10" galvanized anchor stem for installation into soil or concrete. For use with 12VAC BKSSL remote transformer or magnetic transformers only. B-K Lighting cannot guarantee performance with third party manufacturers' transformers.

Power Pipe™ (Optional)

Provides a clean transition from wiring system to fixture. Schedule 80, 18" PVC housing for direct burial into soil or concrete. Machined 2-1/4" dia. cap for fixture mounting. Stainless steel hardware. Optional 6" diameter, molded stability flange, which simplifies installation and projects into substrate to reinforce housing stability. For use with 12VAC BKSSL remote transformer or magnetic transformers only. B-K Lighting cannot guarantee performance with third party manufacturers' transformers.

Power Pipe™ with Transformer Housing (Optional)

Additionally features integral transformer housing fully machined from copper-free aluminum. High temperature, silicone 'O' Ring provides water-tight seal. Integral, TRe20 electronic transformer. 105-300VAC primary voltage. 50/60Hz. Non Dimming. 20VA maximum load.

Wiring

PVC coated, 18AWG, 150V, 60°C rated and certified to UL 1838 standard.

Hardware

Tamper-resistant, stainless steel hardware. LOCK™ aiming screw screw is additionally black oxide treated for additional corrosion resistance.

Finish

StarGuard®, our exclusive RoHS compliant, 15 stage chromate-free process cleans and conversion coats aluminum components prior to application of Class 'A' TGIC polyester powder coating.

Warranty

5 year limited warranty.

Certification and Listing

ITL tested to IESNA LM-79. Lighting Facts Registration per USDOE (www.lightingfacts.com). ETL Listed to ANSI/UL Standard 1838 and UL Subject 8750 and Certified to CAN/CSA Standard C22.2 No. 9. RoHS compliant. Suitable for indoor or outdoor use. Suitable for use in wet locations. Suitable for installation within 4' of the ground. IP66 Rated. Made in USA.



*Energy Star is a registered trademark of the United States Environmental Protection Agency.

B-K LIGHTING	40429 Brickyard Drive • Madera, CA 93636 • USA 559.438.5800 • FAX 559.438.5900 www.bklighting.com • info@bklighting.com	SUBMITTAL DATE	DRAWING NUMBER
		01-16-15	SUB000995

