

# MR-16 Halogen

# DELTA STAR™

|                        |  |
|------------------------|--|
| <b>PROJECT:</b>        |  |
| <b>TYPE:</b>           |  |
| <b>CATALOG NUMBER:</b> |  |
| <b>LAMP(S):</b>        |  |
| <b>NOTES:</b>          |  |

## CATALOG NUMBER LOGIC

[GET A QUOTE >](#)

**Example**      - **DS** - **MR** -  -  -  -  -  -  -  -  -

**Example**     - **DS** - **MR** - **6** - **WHP** - **10** - **11** - **E** - **360SL**

**Material**

**Blank** - Aluminum  
**B** - Brass

**Series**

**DS** - Delta Star™

**Source**

**MR** - MR16

**Lamp**

|                                   |                                    |                                   |
|-----------------------------------|------------------------------------|-----------------------------------|
| <b>0</b> - By Others              | <b>5</b> - FMW(35W), 40° Flood     | <b>7</b> - EXZ(50W), 26° N. Flood |
| <b>1</b> - ESX(20W), 12° Spot     | <b>15</b> - EYR(42W), 12° Spot     | <b>8</b> - EXN(50W), 40° Flood    |
| <b>2</b> - BAB(20W), 40° Flood    | <b>16</b> - EYS(42W), 25° N. Flood | <b>9</b> - FNV(50W), 60° W. Flood |
| <b>3</b> - FRB(35W), 12° Spot     | <b>17</b> - EYP(42W), 40° Flood    |                                   |
| <b>4</b> - FRA(35W), 23° N. Flood | <b>6</b> - EXT(50W), 13° Spot      |                                   |

**Finish**

| Aluminum & Brass Finish |            |            | Brass    |            |
|-------------------------|------------|------------|----------|------------|
| Powder Coat Color       | Satin      | Wrinkle    | Machined | MAC        |
| Bronze                  | <b>BZP</b> | <b>BZW</b> | Polished | <b>POL</b> |
| Black                   | <b>BLP</b> | <b>BLW</b> | Mitique™ | <b>MIT</b> |
| White (Gloss)           | <b>WHP</b> | <b>WHW</b> |          |            |
| Aluminum                | <b>SAP</b> | —          |          |            |
| Verde                   | —          | <b>VER</b> |          |            |

*Also available in Premium Finishes  
See submittal SUB-1439-00 for Premium Finishes*

**Lens Type**

|                             |                          |
|-----------------------------|--------------------------|
| <b>9</b> - Clear (Standard) | <b>12</b> - Soft Focus*  |
| <b>10</b> - Spread*         | <b>13</b> - Rectilinear* |

**Shielding**

**11** - Honeycomb Baffle\*\*

**Cap Style**

|                |                |  |  |
|----------------|----------------|--|--|
| <b>A</b> - 45° | <b>B</b> - 90° | <b>D</b> - 45°<br>Less weephole<br>(for Interior Use Only) | <b>E</b> - 90°<br>Less weephole<br>(for Interior Use Only) |
|----------------|----------------|--|--|

**Options**

**360SL** - 360SL™ Knuckle Mounting System

\* Accommodates up to 2 Lens/Shielding media

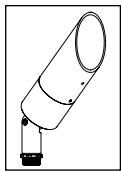
## LAMP DATA

| BK No. | Lamp Watts | Description | Rated Life (hrs.) | Center Beam Candlepower | Beam Angle | Beam Type    |
|--------|------------|-------------|-------------------|-------------------------|------------|--------------|
| 1      | 20         | ESX         | 4,000             | 4,000                   | 12°        | Spot         |
| 2      | 20         | BAB         | 4,000             | 500                     | 40°        | Flood        |
| 3      | 35         | FRB         | 5,000             | 7,600                   | 12°        | Spot         |
| 4      | 35         | FRA         | 5,000             | 2,300                   | 23°        | Narrow Flood |
| 5      | 35         | FMW         | 5,000             | 1,100                   | 40°        | Flood        |
| 15     | 42         | EYR         | 5,000             | 7,500                   | 12°        | Spot         |
| 16     | 42         | EYS         | 5,000             | 2,600                   | 25°        | Narrow Flood |
| 17     | 42         | EYP         | 5,000             | 1,100                   | 40°        | Flood        |
| 6      | 50         | EXT         | 5,000             | 9,800                   | 13°        | Spot         |
| 7      | 50         | EXZ         | 5,000             | 3,200                   | 26°        | Narrow Flood |
| 8      | 50         | EXN         | 5,000             | 1,600                   | 40°        | Flood        |
| 9      | 50         | FNV         | 5,000             | 700                     | 60°        | Wide Flood   |

|                     |   |                            |                               |
|---------------------|---|----------------------------|-------------------------------|
| <b>B-K LIGHTING</b> | 40429 Brickyard Drive • Madera, CA 93636 • USA<br>559.438.5800 • FAX 559.438.5900<br>www.bklighting.com • info@bklighting.com | SUBMITTAL DATE<br>10-19-10 | DRAWING NUMBER<br>SUB-117D-06 |
|---------------------|---|----------------------------|-------------------------------|

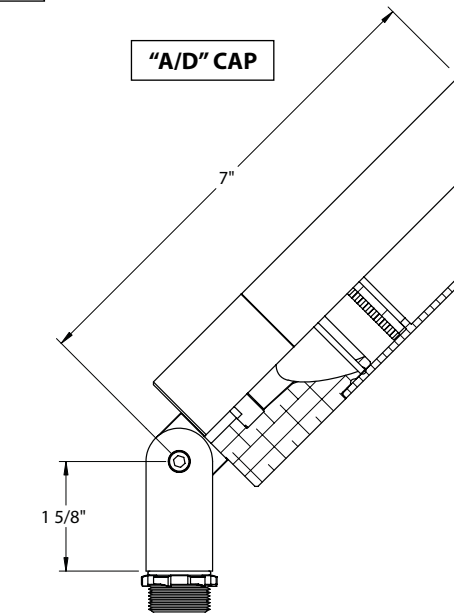
THIS DOCUMENT CONTAINS PROPRIETARY INFORMATION OF B-K LIGHTING, INC. AND ITS RECEIPT OR POSSESSION DOES NOT CONVEY ANY RIGHTS TO REPRODUCE, DISCLOSE ITS CONTENTS, OR TO MANUFACTURE, USE OR SELL ANYTHING IT MAY DESCRIBE. REPRODUCTION, DISCLOSURE OR USE WITHOUT SPECIFIC WRITTEN AUTHORIZATION OF B-K LIGHTING, INC. IS STRICTLY FORBIDDEN.

# DELTA STAR™

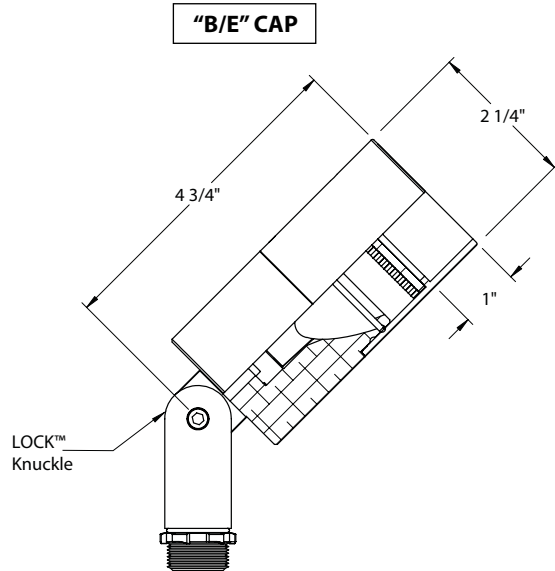


MR-16 Halogen

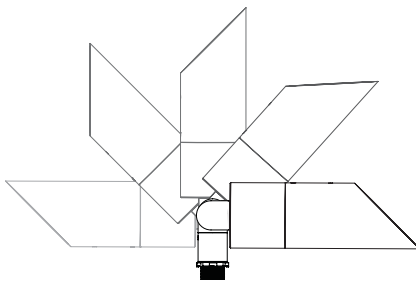
|          |  |
|----------|--|
| PROJECT: |  |
| TYPE:    |  |



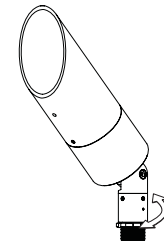
"A/D" CAP



"B/E" CAP



180° Vertical adjustment  
(Standard)



Horizontal Rotation  
(Optional 360SL™ Knuckle)

## SPECIFICATIONS

### GreenSource Initiative™

Metal and packaging components are made from recycled materials. Manufactured using renewable solar energy, produced onsite. Returnable to manufacturer at end of life to ensure cradle-to-cradle handling. Packaging contains no chlorofluorocarbons (CFC's). Use of this product may qualify for GreenSource efficacy and recycling rebate(s). Consult [www.bklighting.com/greensource](http://www.bklighting.com/greensource) for program requirements.

### Materials

Furnished in Copper-Free Aluminum (Type 6061-T6), or Brass (Type 360).

### Body

Fully machined from solid billet. Unibody design provides enclosed, water-proof wireway and heat sink to maximize lamp life. Integral knuckle for maximum mechanical strength. High temperature, silicone 'O' Ring provides water-tight seal.

### Knuckle

The LOCK™ (Locking 'O' Ring Compression Knuckle) is comprised of two components. The first is integral to the body and features an interior, machined taper. The second is machined from solid billet and features a second, reverse angle taper. The resultant mechanical taper-lock allows a full 180° vertical adjustment without the use of serrated teeth, which inherently limit aiming. High temperature, silicone 'O' Ring provides water-tight seal and compressive resistance to maintain fixture position. Design withstands 73 lb. static load prior to movement to ensure decades of optical alignment. 1/2" pipe thread for mounting.

Optional 360SL™ additionally provides biaxial source control with 360° horizontal rotation in addition to vertical adjustment.

### Cap

Fully machined. Accommodates [1] lens or louver media. Choose from 45° cutoff ('A' or 'D'), or 1" deep bezel with 90° cutoff ('B' or 'E') cap styles. 'A' and 'B' caps include weep-hole for water and debris drainage. 'D' and 'E' caps exclude weep-hole and are for interior use only.

### Lens

Shock resistant, tempered, glass lens is factory adhered to fixture cap and provides hermetically sealed optical compartment.

### Lamp

For use with 50 watt maximum, MR-16 lamp.\* Not for use with IR technology lamps.

\*Except GE Light Q42MR16/C/VNSP9 (EZY).

### Transformer

For use with 12 VAC remote transformer.

### Socket

Specification grade, ceramic body lamp holder. GU5.3 base. Nickel allow contacts and heat resistant, spring loaded, stainless steel lamp retaining clips.

### Wiring

Teflon® coated wire, 18AWG, 600V, 250° C rated and certified to UL 1659 standard.

### Hardware

Tamper-resistant, stainless steel hardware. LOCK™ aiming screw is additionally black oxide treated for additional corrosion resistance.

### Finish

StarGuard® (Pat. Pend.), a RoHS compliant, 15 stage chromate-free process cleans and conversion coats aluminum components prior to application of Class 'A' TGIC polyester powder coating. Brass components are available in powder coat or handcrafted metal finish.

### Warranty

5 year limited warranty.

### Listings

ETL Listed to ANSI/UL Standard 1838. Certified to CAN/CSA Standard C22.2 No. 9 and CAN/CSA TIL B-58B. RoHS compliant. Suitable for indoor or outdoor use. Suitable for use in wet locations. Suitable for installation within 4' of the ground. Made in USA.



\*Teflon is a registered trademark of DuPont Corporation.

**B-K LIGHTING**

40429 Brickyard Drive • Madera, CA 93636 • USA  
559.438.5800 • FAX 559.438.5900  
[www.bklighting.com](http://www.bklighting.com) • [info@bklighting.com](mailto:info@bklighting.com)

SUBMITTAL DATE  
10-19-10

DRAWING NUMBER  
SUB-117D-06