

# MR 16 Halogen

# LITE STAR™

<b>PROJECT:</b>	
<b>TYPE:</b>	
<b>CATALOG NUMBER:</b>	
<b>LAMP(S):</b>	
<b>NOTES:</b>	

## CATALOG NUMBER LOGIC



**Example**

- **LS** - **16** - **BLW** - **7** - **10** - **11** - **360SL**

Material \_\_\_\_\_

- Blank** - Aluminum
- B** - Brass

Series \_\_\_\_\_

- LS** - Lite Star™

Lamp \_\_\_\_\_

- |                                   |                                    |                                   |
|-----------------------------------|------------------------------------|-----------------------------------|
| <b>0</b> - By Others              | <b>5</b> - FMW(35W), 40° Flood     | <b>7</b> - EXZ(50W), 26° N. Flood |
| <b>1</b> - ESX(20W), 12° Spot     | <b>15</b> - EYR(42W), 12° Spot     | <b>8</b> - EXN(50W), 40° Flood    |
| <b>2</b> - BAB(20W), 40° Flood    | <b>16</b> - EYS(42W), 25° N. Flood | <b>9</b> - FNV(50W), 60° W. Flood |
| <b>3</b> - FRB(35W), 12° Spot     | <b>17</b> - EYP(42W), 40° Flood    |                                   |
| <b>4</b> - FRA(35W), 23° N. Flood | <b>6</b> - EXT(50W), 13° Spot      |                                   |

Finish \_\_\_\_\_

### Aluminum & Brass Finish

Powder Coat Color	Satin	Wrinkle
Bronze	<b>BZP</b>	<b>BZW</b>
Black	<b>BLP</b>	<b>BLW</b>
White (Gloss)	<b>WHP</b>	<b>WHW</b>
Aluminum	<b>SAP</b>	—
Verde	—	<b>VER</b>

### Brass

Machined	<b>MAC</b>
Polished	<b>POL</b>
Mitique™	<b>MIT</b>

*Also available in Premium Finishes  
See submittal SUB-1439-00 for Premium Finishes*

Mounting \_\_\_\_\_

- 7** - Uplight (Standard)
  - 8** - Downlight\*
- \*Downlight cuff required for below horizontal aiming.

Lens Type \_\_\_\_\_

- 9** - Clear (Standard)
- 10** - Spread\*\*
- 12** - Soft Focus\*\*
- 13** - Rectilinear\*\*

Shielding \_\_\_\_\_

- 11** - Honeycomb Baffle\*\*

Options \_\_\_\_\_

- 360SL** - 360SL™ Knuckle Mounting System

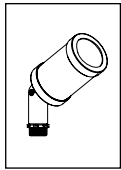
\*\* Accommodates up to 2 Lens/Shielding media

## LAMP DATA

BK No.	Lamp Watts	Description	Rated Life (hrs.)	Center Beam Candlepower	Beam Angle	Beam Type
1	20	ESX	4,000	4,000	12°	Spot
2	20	BAB	4,000	500	40°	Flood
3	35	FRB	5,000	7,600	12°	Spot
4	35	FRA	5,000	2,300	23°	Narrow Flood
5	35	FMW	5,000	1,100	40°	Flood
15	42	EYR	5,000	7,500	12°	Spot
16	42	EYS	5,000	2,600	25°	Narrow Flood
17	42	EYP	5,000	1,100	40°	Flood
6	50	EXT	5,000	9,800	13°	Spot
7	50	EXZ	5,000	3,200	26°	Narrow Flood
8	50	EXN	5,000	1,600	40°	Flood
9	50	FNV	5,000	700	60°	Wide Flood

<b>B-K LIGHTING</b>	40429 Brickyard Drive • Madera, CA 93636 • USA	SUBMITTAL DATE	DRAWING NUMBER
	559.438.5800 • FAX 559.438.5900	10-19-10	SUB-1000-04
	www.bklighting.com • info@bklighting.com		

THIS DOCUMENT CONTAINS PROPRIETARY INFORMATION OF B-K LIGHTING, INC. AND ITS RECEIPT OR POSSESSION DOES NOT CONVEY ANY RIGHTS TO REPRODUCE, DISCLOSE ITS CONTENTS, OR TO MANUFACTURE, USE OR SELL ANYTHING IT MAY DESCRIBE. REPRODUCTION, DISCLOSURE OR USE WITHOUT SPECIFIC WRITTEN AUTHORIZATION OF B-K LIGHTING, INC. IS STRICTLY FORBIDDEN.

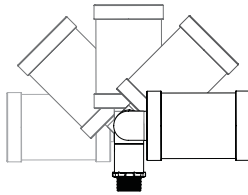
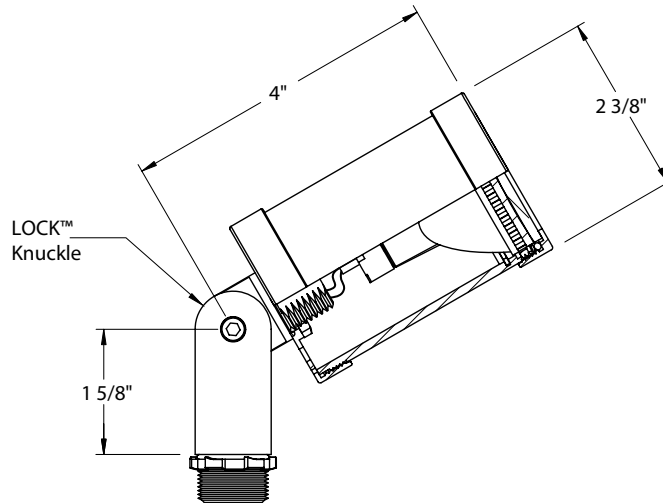


MR-16 Halogen

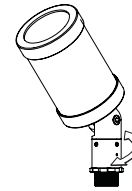
LITE STAR™

PROJECT:	
TYPE:	

SIDE VIEW



180° Vertical adjustment (Standard)



Horizontal Rotation (Optional 360SL™ Knuckle)

SPECIFICATIONS

GreenSource Initiative™

Metal and packaging components are made from recycled materials. Manufactured using renewable solar energy, produced onsite. Returnable to manufacturer at end of life to ensure cradle-to-cradle handling. Packaging contains no chlorofluorocarbons (CFC's). Use of this product may qualify for GreenSource efficacy and recycling rebate(s). Consult www.bklighting.com/greensource for program requirements.

Materials

Furnished in Copper-Free Aluminum (Type 6061-T6), or Brass (Type 360).

Body

Fully machined from solid billet. High temperature, silicone 'O' Ring provides water-tight optical compartment. Bottom of fixture provides ventilation and contains spay shield. Downlight cuff required for below horizontal aiming.

Knuckle

The LOCK™ (Locking 'O' Ring Compression Knuckle) is comprised of two components. The first is integral to the body and features an interior, machined taper. The second is machined from solid billet and features a second, reverse angle taper. The resultant mechanical taper-lock allows a full 180° vertical adjustment without the use of serrated teeth, which inherently limit aiming. High temperature, silicone 'O' Ring provides water-tight seal and compressive resistance to maintain fixture position. Design withstands 73 lb. static load prior to movement to ensure decades of optical alignment. 1/2" pipe thread for mounting.

Optional 360SL™ additionally provides biaxial source control with 360° horizontal rotation in addition to vertical adjustment.

Cap

Threaded cap is machined from copper free aluminum. Also available in machined brass. Provides toolless entry for lamp service. Flush mounted lens. Accommodates up to (2) Lens/Shielding media.

Lens

Shock resistant, tempered, clear glass lens is factory adhered to fixture cap.

Lamp

For use with 50 watt maximum, MR-16 lamp.\* Not for use with IR technology lamps.

\*Except GE Light Q42MR16/C/VNSP9 (EZY).

Transformer

For use with 12 VAC remote transformer.

Socket

Specification grade, ceramic body lamp holder. GU5.3 base. Nickel alloy contacts and heat resistant, spring loaded, stainless steel lamp retaining clips.

Wiring

Teflon® coated, 18AWG, 600V, 250° C rated and certified to UL 1659 standard.

Hardware

Tamper-resistant, stainless steel hardware. LOCK™ aiming screw is additionally black oxide treated for additional corrosion resistance.

Finish

StarGuard® (Pat. Pend.), a RoHs compliant, 15 stage chromate-free process cleans and conversion coats aluminum components prior to application of Class 'A' TGIC polyester powder coating. Brass components are available in powder coat or handcrafted metal finish.

Warranty

5 year limited warranty.

Listings

ETL Listed to ANSI/UL Standard 1838. Certified to CAN/CSA Standard C22.2 No. 9 and CAN/CSA TIL B-58B. RoHs compliant. Suitable for indoor or outdoor use. Suitable for use in wet locations. Suitable for installation within 4' of the ground. Made in USA.



\*Teflon is a registered trademark of DuPont Corporation.