

**BKSSL**  
SOLID STATE LIGHTING  
18-29W LED

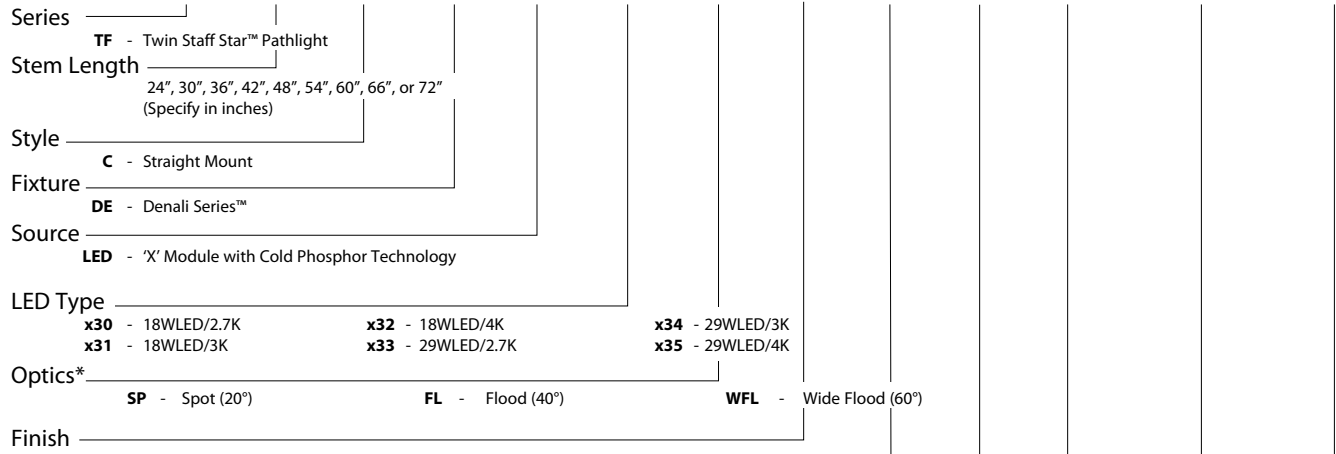


# DENALI SERIES™ TWIN STAFF STAR™ STYLE C

<b>PROJECT:</b>	
<b>TYPE:</b>	
<b>CATALOG NUMBER:</b>	
<b>SOURCE:</b>	
<b>NOTES:</b>	

## CATALOG NUMBER LOGIC

**Example:** TF - 54 - C - DE - LED - x30 - SP - SAP - 9 - 11 - A - HP2-D29INC - MT



**Standard Finish**

Powder Coat Color	Satin	Wrinkle
Bronze	<b>BZP</b>	<b>BZW</b>
Black	<b>BLP</b>	<b>BLW</b>
White (Gloss)	<b>WHP</b>	<b>WHW</b>
Aluminum	<b>SAP</b>	—
Verde	—	<b>VER</b>

**Premium Finish**

<b>ABP</b> Antique Brass Powder	<b>CMG</b> Cascade Mountain Granite	<b>RMG</b> Rocky Mountain Granite
<b>AMG</b> Aleutian Mountain Granite	<b>CRI</b> Cracked Ice	<b>SDS</b> Sonoran Desert Sandstone
<b>AQW</b> Antique White	<b>CRM</b> Cream	<b>SMG</b> Sierra Mountain Granite
<b>BCM</b> Black Chrome	<b>HUG</b> Hunter Green	<b>TXF</b> Textured Forest
<b>BGE</b> Beige	<b>MDS</b> Mojave Desert Sandstone	<b>WCP</b> Weathered Copper
<b>BPP</b> Brown Patina Powder	<b>NBP</b> Natural Brass Powder	<b>WIR</b> Weathered Iron
<b>CAP</b> Clear Anodized Powder	<b>OCP</b> Old Copper	<i>Also available in RAL Finishes See submittal SUB-1439-00</i>

**Lens Type** — 9 - Clear (Standard)      10 - Spread Lens\*      12 - Soft Focus Lens\*      13 - Rectilinear Lens\*

**Shielding** — 11 - Honeycomb Baffle\*

**Cap Style** — A - 45°      B - 90°      C - Flush      D - 45° less Weep Hole (Interior Use Only)      E - 90° less Weep Hole (Interior Use Only)

**Base Mountings** — HP2-D18INC - In-Grade (Flush) Driver Housing with (2) D18INC Driver  
HP2-D29INC - In-Grade (Flush) Driver Housing with (2) D29INC Driver

**Input Voltage** — MT - 120-277 VAC Input

\*Accommodates up to 2 Lens/Shielding media

## DRIVER ELECTRICAL DATA

TYPE	AC INPUT RANGE	Frequency Hz	DIMMING	POWER FACTOR AT FULL LOAD	THD	OPER. AMBIENT TEMPERATURE	DIMMER TYPE	DIMMER RANGE
D18INC	120-277	50/60	YES (120V only)	>0.94	≤5%	-30° C ~ 50° C	Incandescent	10-100%
D29INC	120-277	50/60	YES (120V only)	>0.94	≤5%	-30° C ~ 50° C	Incandescent	10-100%

## LM79 DATA

BK No.	Lumens (Source)	CCT (Typ.)	CRI (Ra. Typ.)	Color Consistency	Input Watts (Typ.)
x30	1300	2700K	>80	±40K	18
x31	1300	3000K	>80	±50K	18
x32	1300	4000K	>80	±70K	18
x33	2000	2700K	>80	±40K	29
x34	2000	3000K	>80	±50K	29
x35	2000	4000K	>80	±70K	29

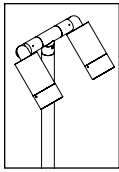
## L70 DATA

Minimum Rated Life (hrs.) 70% of initial lumens (L70)
50,000
50,000
50,000
50,000
50,000
50,000

## OPTICAL DATA

Beam Type	Angle	x32 CBCP	x35 CBCP
Spot	20°	2899	4222
Flood	40°	1270	1878
Wide Flood	60°	968	1450

<b>B-K LIGHTING</b>	40429 Brickyard Drive • Madera, CA 93636 • USA 559.438.5800 • FAX 559.438.5900 www.bklighting.com • info@bklighting.com	RELEASED 08-10-15	DRAWING NUMBER SUB-2361-00
	THIS DOCUMENT CONTAINS PROPRIETARY INFORMATION OF B-K LIGHTING, INC. AND ITS RECEIPT OR POSSESSION DOES NOT CONVEY ANY RIGHTS TO REPRODUCE, DISCLOSE ITS CONTENTS, OR TO MANUFACTURE, USE OR SELL ANYTHING IT MAY DESCRIBE. REPRODUCTION, DISCLOSURE OR USE WITHOUT SPECIFIC WRITTEN AUTHORIZATION OF B-K LIGHTING, INC. IS STRICTLY FORBIDDEN.		



**BKSSL**  
SOLID STATE LIGHTING  
18-29W LED

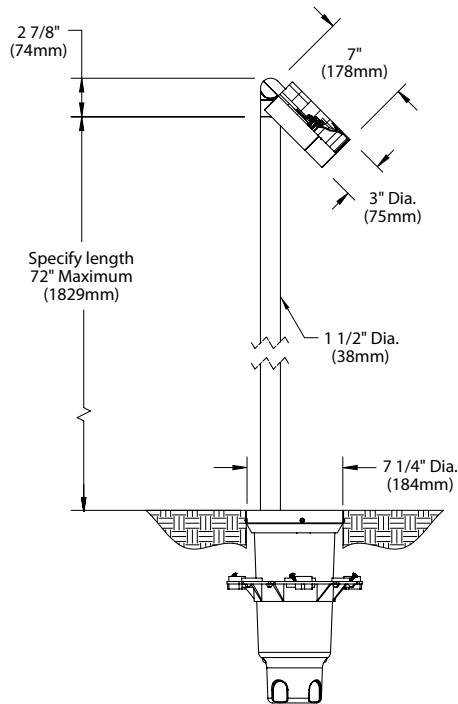


# DENALI SERIES™ TWIN STAFF STAR™ STYLE C

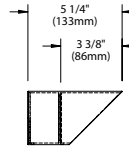
PROJECT:

TYPE:

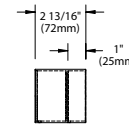
## HP2™ (Mounting Option)



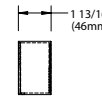
## "A/D" CAP



## "B/E" CAP



## "C" CAP



All dimensions indicated on this submittal are nominal.  
Contact Technical Sales if you require more stringent specifications.

## SPECIFICATIONS

### GreenSource Initiative™

Metal and packaging components are made from recycled materials. Manufactured using renewable solar energy, produced on site. Returnable to manufacturer at end of life to ensure cradle-to-cradle handling. Packaging contains no chlorofluorocarbons (CFC's). Use of this product may qualify for GreenSource efficacy and recycling rebate(s). Consult [www.bklighting.com/greensource](http://www.bklighting.com/greensource) for program requirements.

### Style

'C' Style provides straight profile. Machined 'T' adapter enables independent fixture adjustment from a single mounting position.

### Materials

Furnished in Copper-Free Aluminum (Type 6061-T6).

### Body

Fully machined from solid billet. Unibody design provides enclosed, water-proof wireway and integral heat sink for maximum component life. Integral knuckle for maximum mechanical strength. High temperature, silicone 'O' Ring provides water-tight seal.

### Knuckle

The LOCK™ (Locking 'O' Ring Compression Knuckle) is comprised of two components. The first is integral to the body and features an interior, machined taper. The second is machined from solid billet and features a second, reverse angle taper. The resultant mechanical taper-lock allows a full 180° vertical adjustment without the use of serrated teeth, which inherently limit aiming. High temperature, silicone 'O' Ring provides water-tight seal and compressive resistance to maintain fixture position. Design withstands 73 lb. static load prior to movement to ensure decades of optical alignment. Biaxial source control with 360° horizontal rotation in addition to vertical adjustment.

### Cap

Fully machined. Accommodates [2] lens or louver media each. Choose from 45° cutoff ('A' or 'D'), 1° deep bezel with 90° cutoff ('B' or 'E'), flush lens ('C') cap styles. 'A' and 'B' caps include weep-hole for water and debris drainage. 'D' and 'E' caps exclude weep-hole and are for interior use only.

### Stem

Fully machined, 1" dia. with internal threads for maximum visual appeal. Available in configurable lengths to 72" maximum overall.

### Lens

Shock resistant, tempered, glass lens is factory adhered to fixture cap and provides hermetically sealed optical compartment. Specify clear standard (#9), spread lens (#10), soft focus (#12) or rectilinear (#13) lens.

### BKSSL®

Integrated solid state system with 'x' technology is scalable for field upgrade. Modular design with electrical quick disconnects permit field maintenance.

LM-80 certified. Minimum 50,000 hour rated life at 70% of initial lumens (L70). BKSSL technology provides long life, significant energy reduction and exceptional thermal management.

### Color Management

Corrected cold phosphor technology delivers near-perfect natural white light. Long term phosphor maintenance over product life. Exact color point conformity exceeds ANSI C78.377 standard. Provides uniform beam with no color variation over angle. Module exceeds 80 CRI (RA>80, R9>16).

### Driver (2)

1.05A (D18, D29), Class A, constant current driver. 120-277VAC (nominal) primary input voltage. 50/60Hz. >0.94 Power Factor, <15.0A in-rush current, 0.25A input current, ≤5%THD (nominal at 120VAC full load). Output over-voltage, over-current, and short circuit protection with auto recovery. EMC: FCC47CFR Part 15 Class B compliant. Dimming driver 9120V only for use with standard incandescent dimmers. 10-100% range.

### Optics

Interchangeable OPTIKIT™ modules permit field changes to optical distribution.

### Installation

Available for installation in two distinct mounting conditions:

### HP2™

Provides a clean transition from wiring system to fixture. Corrosion-free composite housing. (2) Bottom-Entry, 3/4" NPT female conduit entries with knockout plugs and (4) side flats for 1/2" or 3/4" conduit adapters. Solid, 1/2" machined 6061T6 copper-free aluminum with (5) black oxide, captive, stainless steel mounting screws. Self Evacuating Airtight Lamp Module (S.E.A.L.™). IP-68 rated, vacuum sealed enclosure.

Patented Anti-Condensation Valve (ACV™) eliminates condensation on interior components. High temperature silicone 'O' Ring at faceplate. Patented HydroLock® technology provides fail safe water barrier between junction box and interior components. Anti-siphon valve (ASV™) prevents "wicking" through conductor insulation. Corrosion-free composite flange projects into installation substrate to reinforce housing stability. Integral, copper-free aluminum concrete pour collar (CPC), furnished in Black finish, permits for direct burial installation in soil or concrete. Consult Drainage Installation Guide for In-Grade Fixtures (DIG-IT) for compliance with proper soil preparation and drainage requirements prior to installation.

### Wiring

Teflon® coated, 18AWG, 600V, 250° C rated and certified to UL 1659 standard.

### Hardware

Tamper-resistant, stainless steel hardware. LOCK™ aiming screw screw is additionally black oxide treated for additional corrosion resistance.

### Finish

StarGuard®, our exclusive RoHS compliant, 15 stage chromate-free process cleans and conversion coats aluminum components prior to application of Class 'A' TGIC polyester powder coating.

### Warranty

5 year limited warranty.

### Certification and Listing

ITL tested to IESNA LM-79. Lighting Facts Registration per USDOE ([www.lightingfacts.com](http://www.lightingfacts.com)). ETL Listed to ANSI/UL Standard 1838 and UL Subject 8750 and Certified to CAN/CSA Standard C22.2 No. 9. RoHS compliant. Suitable for indoor or outdoor use. Suitable for use in wet locations. Suitable for installation within 4' of the ground. IP66 Rated. Made in USA.



\*Teflon is a registered trademark of DuPont Corporation.

**B-K LIGHTING**

40429 Brickyard Drive • Madera, CA 93638 • USA  
559.438.5800 • FAX 559.438.5900  
[www.bklighting.com](http://www.bklighting.com) • [info@bklighting.com](mailto:info@bklighting.com)

RELEASED  
08-10-15

DRAWING NUMBER  
SUB-2361-00