

BKSSL
SOLID STATE LIGHTING
18-29W LED



DENALI SERIES™ STAFF STAR™ STYLE B

| | |
|------------------------|--|
| PROJECT: | |
| TYPE: | |
| CATALOG NUMBER: | |
| SOURCE: | |
| NOTES: | |

CATALOG NUMBER LOGIC

Example: SF - 30 - B - DE - LED - x33 - FL - BZW - 12 - 11 - C - HP2-D18INC - MT

| Series | SF - Staff Star™ Pathlight | | | | | | | | | | | | | | | | | | | | | | | | | | | | | | | | | | | | | | | | | | | | | | | | |
|-------------------|--|-----------------|----------------|-----|---|--|--|-------------------|-------|---------|-----|-----|-----|--------|-----|-----|-----|-----|-----|-------|-----|-----|-----|-----|-----|---------------|-----|-----|-----|-----|-----|----------|-----|---|-----|-----|-----|-------|---|-----|-----|-----|-----|--|--|--|-----|-----|---|
| Stem Length | 24", 30", 36", 42", 48", 54", 60", 66", or 72" (Specify in inches) | | | | | | | | | | | | | | | | | | | | | | | | | | | | | | | | | | | | | | | | | | | | | | | | |
| Style | B - 180° Radius | | | | | | | | | | | | | | | | | | | | | | | | | | | | | | | | | | | | | | | | | | | | | | | | |
| Fixture | DE - Denali Series™ | | | | | | | | | | | | | | | | | | | | | | | | | | | | | | | | | | | | | | | | | | | | | | | | |
| Source | LED - 'X' Module with Cold Phosphor Technology | | | | | | | | | | | | | | | | | | | | | | | | | | | | | | | | | | | | | | | | | | | | | | | | |
| LED Type | x30 - 18WLED/2.7K x32 - 18WLED/4K x34 - 29WLED/3K x31 - 18WLED/3K x33 - 29WLED/2.7K x35 - 29WLED/4K | | | | | | | | | | | | | | | | | | | | | | | | | | | | | | | | | | | | | | | | | | | | | | | | |
| Optics* | SP - Spot (20°) FL - Flood (40°) WFL - Wide Flood (60°) | | | | | | | | | | | | | | | | | | | | | | | | | | | | | | | | | | | | | | | | | | | | | | | | |
| Finish | <table border="1"> <thead> <tr> <th colspan="3">Standard Finish</th> <th colspan="3">Premium Finish</th> </tr> <tr> <th>Powder Coat Color</th> <th>Satin</th> <th>Wrinkle</th> <th>ABP</th> <th>CMG</th> <th>RMG</th> </tr> </thead> <tbody> <tr> <td>Bronze</td> <td>BZP</td> <td>BZW</td> <td>AMG</td> <td>CRI</td> <td>SDS</td> </tr> <tr> <td>Black</td> <td>BLP</td> <td>BLW</td> <td>AQW</td> <td>CRM</td> <td>SMG</td> </tr> <tr> <td>White (Gloss)</td> <td>WHP</td> <td>WHW</td> <td>BCM</td> <td>HUG</td> <td>TXF</td> </tr> <tr> <td>Aluminum</td> <td>SAP</td> <td>—</td> <td>BGE</td> <td>MDS</td> <td>WCP</td> </tr> <tr> <td>Verde</td> <td>—</td> <td>VER</td> <td>BPP</td> <td>NBP</td> <td>WIR</td> </tr> <tr> <td></td> <td></td> <td></td> <td>CAP</td> <td>OCP</td> <td>Also available in RAL Finishes See submittal SUB-1439-00</td> </tr> </tbody> </table> | Standard Finish | | | Premium Finish | | | Powder Coat Color | Satin | Wrinkle | ABP | CMG | RMG | Bronze | BZP | BZW | AMG | CRI | SDS | Black | BLP | BLW | AQW | CRM | SMG | White (Gloss) | WHP | WHW | BCM | HUG | TXF | Aluminum | SAP | — | BGE | MDS | WCP | Verde | — | VER | BPP | NBP | WIR | | | | CAP | OCP | Also available in RAL Finishes See submittal SUB-1439-00 |
| Standard Finish | | | Premium Finish | | | | | | | | | | | | | | | | | | | | | | | | | | | | | | | | | | | | | | | | | | | | | | |
| Powder Coat Color | Satin | Wrinkle | ABP | CMG | RMG | | | | | | | | | | | | | | | | | | | | | | | | | | | | | | | | | | | | | | | | | | | | |
| Bronze | BZP | BZW | AMG | CRI | SDS | | | | | | | | | | | | | | | | | | | | | | | | | | | | | | | | | | | | | | | | | | | | |
| Black | BLP | BLW | AQW | CRM | SMG | | | | | | | | | | | | | | | | | | | | | | | | | | | | | | | | | | | | | | | | | | | | |
| White (Gloss) | WHP | WHW | BCM | HUG | TXF | | | | | | | | | | | | | | | | | | | | | | | | | | | | | | | | | | | | | | | | | | | | |
| Aluminum | SAP | — | BGE | MDS | WCP | | | | | | | | | | | | | | | | | | | | | | | | | | | | | | | | | | | | | | | | | | | | |
| Verde | — | VER | BPP | NBP | WIR | | | | | | | | | | | | | | | | | | | | | | | | | | | | | | | | | | | | | | | | | | | | |
| | | | CAP | OCP | Also available in RAL Finishes See submittal SUB-1439-00 | | | | | | | | | | | | | | | | | | | | | | | | | | | | | | | | | | | | | | | | | | | | |
| Lens Type | 9 - Clear (Standard) 10 - Spread Lens* 12 - Soft Focus Lens* 13 - Rectilinear Lens* | | | | | | | | | | | | | | | | | | | | | | | | | | | | | | | | | | | | | | | | | | | | | | | | |
| Shielding | 11 - Honeycomb Baffle* | | | | | | | | | | | | | | | | | | | | | | | | | | | | | | | | | | | | | | | | | | | | | | | | |
| Cap Style | A - 45° B - 90° C - Flush D - 45° less Weep Hole (Interior Use Only) E - 90° less Weep Hole (Interior Use Only) | | | | | | | | | | | | | | | | | | | | | | | | | | | | | | | | | | | | | | | | | | | | | | | | |
| Base Mountings | HP2-D18INC - In-Grade (Flush) Driver Housing with D18INC Driver HP2-D29INC - In-Grade (Flush) Driver Housing with D29INC Driver | | | | | | | | | | | | | | | | | | | | | | | | | | | | | | | | | | | | | | | | | | | | | | | | |
| Input Voltage | MT - 120-277 VAC Input | | | | | | | | | | | | | | | | | | | | | | | | | | | | | | | | | | | | | | | | | | | | | | | | |

*Accommodates up to 2 Lens/Shielding media

DRIVER ELECTRICAL DATA

| TYPE | AC INPUT RANGE | Frequency Hz | DIMMING | POWER FACTOR AT FULL LOAD | THD | OPER. AMBIENT TEMPERATURE | DIMMER TYPE | DIMMER RANGE |
|--------|----------------|--------------|-----------------|---------------------------|-----|---------------------------|--------------|--------------|
| D18INC | 120-277 | 50/60 | YES (120V only) | >0.94 | ≤5% | -30° C ~ 50° C | Incandescent | 10-100% |
| D29INC | 120-277 | 50/60 | YES (120V only) | >0.94 | ≤5% | -30° C ~ 50° C | Incandescent | 10-100% |

LM79 DATA

| BK No. | Lumens (Source) | CCT (Typ.) | CRI (Ra. Typ.) | Color Consistency | Input Watts (Typ.) |
|--------|-----------------|------------|----------------|-------------------|--------------------|
| x30 | 1300 | 2700K | >80 | ±40K | 18 |
| x31 | 1300 | 3000K | >80 | ±50K | 18 |
| x32 | 1300 | 4000K | >80 | ±70K | 18 |
| x33 | 2000 | 2700K | >80 | ±40K | 29 |
| x34 | 2000 | 3000K | >80 | ±50K | 29 |
| x35 | 2000 | 4000K | >80 | ±70K | 29 |

L70 DATA

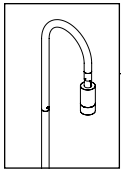
| Minimum Rated Life (hrs.) 70% of initial lumens (L70) |
|--|
| 50,000 |
| 50,000 |
| 50,000 |
| 50,000 |
| 50,000 |
| 50,000 |

OPTICAL DATA

| Beam Type | Angle | x32 CBCP | x35 CBCP |
|------------|-------|----------|----------|
| Spot | 20° | 2899 | 4222 |
| Flood | 40° | 1270 | 1878 |
| Wide Flood | 60° | 968 | 1450 |

| | | | |
|---------------------|---|----------------------|-------------------------------|
| B-K LIGHTING | 40429 Brickyard Drive • Madera, CA 93636 • USA 559.438.5800 • FAX 559.438.5900 www.bklighting.com • info@bklighting.com | RELEASED 08-10-15 | DRAWING NUMBER SUB-2357-00 |
|---------------------|---|----------------------|-------------------------------|

THIS DOCUMENT CONTAINS PROPRIETARY INFORMATION OF B-K LIGHTING, INC. AND ITS RECEIPT OR POSSESSION DOES NOT CONVEY ANY RIGHTS TO REPRODUCE, DISCLOSE ITS CONTENTS, OR TO MANUFACTURE, USE OR SELL ANYTHING IT MAY DESCRIBE. REPRODUCTION, DISCLOSURE OR USE WITHOUT SPECIFIC WRITTEN AUTHORIZATION OF B-K LIGHTING, INC. IS STRICTLY FORBIDDEN.



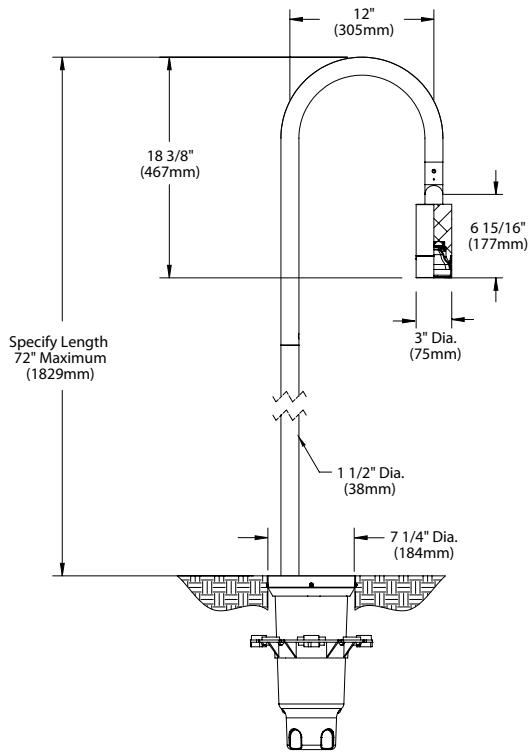
BKSSL
SOLID STATE LIGHTING
18-29W LED



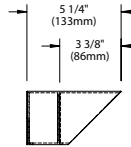
DENALI SERIES™ STAFF STAR™ STYLE B

| | |
|-----------------|--|
| PROJECT: | |
| TYPE: | |

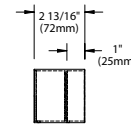
HP2™ (Mounting Option)



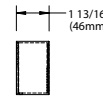
"A/D" CAP



"B/E" CAP



"C" CAP



All dimensions indicated on this submittal are nominal.
Contact Technical Sales if you require more stringent specifications.

SPECIFICATIONS

GreenSource Initiative™

Metal and packaging components are made from recycled materials. Manufactured using renewable solar energy, produced on site. Returnable to manufacturer at end of life to ensure cradle-to-cradle handling. Packaging contains no chlorofluorocarbons (CFC's). Use of this product may qualify for GreenSource efficacy and recycling rebate(s). Consult www.bklighting.com/greensource for program requirements.

Style

'B' Style provides single bend 180° radius from fixture to stem.

Materials

Furnished in Copper-Free Aluminum (Type 6061-T6).

Body

Fully machined from solid billet. Unibody design provides enclosed, water-proof wireway and integral heat sink for maximum component life. Integral knuckle for maximum mechanical strength. High temperature, silicone 'O' Ring provides water-tight seal.

Knuckle

The LOCK™ (Locking 'O' Ring Compression Knuckle) is comprised of two components. The first is integral to the body and features an interior, machined taper. The second is machined from solid billet and features a second, reverse angle taper. The resultant mechanical taper-lock allows a full 180° vertical adjustment without the use of serrated teeth, which inherently limit aiming. High temperature, silicone 'O' Ring provides water-tight seal and compressive resistance to maintain fixture position. Design withstands 73 lb. static load prior to movement to ensure decades of optical alignment. Biaxial source control with 360° horizontal rotation in addition to vertical adjustment.

Cap

Fully machined. Accommodates [2] lens or louver media each. Choose from 45° cutoff ('A' or 'D'), 1° deep bezel with 90° cutoff ('B' or 'E'), flush lens ('C') cap styles. 'A' and 'B' caps include weep-hole for water and debris drainage. 'D' and 'E' caps exclude weep-hole and are for interior use only.

Stem

Fully machined, 1 1/2" dia. with internal threads for maximum visual appeal. Available in configurable lengths to 72" maximum overall.

Lens

Shock resistant, tempered, glass lens is factory adhered to fixture cap and provides hermetically sealed optical compartment. Specify clear standard (#9), spread lens (#10), soft focus (#12) or rectilinear (#13) lens.

BKSSL®

Integrated solid state system with 'x' technology is scalable for field upgrade. Modular design with electrical quick disconnects permit field maintenance.

LM-80 certified. Minimum 50,000 hour rated life at 70% of initial lumens (L70). BKSSL technology provides long life, significant energy reduction and exceptional thermal management.

Color Management

Corrected cold phosphor technology delivers near-perfect natural white light. Long term phosphor maintenance over product life. Exact color point conformity exceeds ANSI C78.377 standard. Provides uniform beam with no color variation over angle. Module exceeds 80 CRI (RA>80, R9>16).

Driver

1.05A (D18, D29), Class A, constant current driver. 120-277VAC (nominal) primary input voltage. 50/60Hz. >0.94 Power Factor, <15.0A in-rush current, 0.25A input current, ≤5%THD (nominal at 120VAC full load). Output over-voltage, over-current, and short circuit protection with auto recovery. EMC: FCC47CFR Part 15 Class B compliant. Dimming driver (120V only) for use with standard incandescent dimmers. 10-100% range.

Optics

Interchangeable OPTIKIT™ modules permit field changes to optical distribution.

Installation

Available for installation in two distinct mounting conditions:

HP2™

Provides a clean transition from wiring system to fixture. Corrosion-free composite housing. (2) Bottom-Entry, 3/4" NPT female conduit entries with knockout plugs and (4) side flats for 1/2" or 3/4" conduit adapters. Solid, 1/2" machined 6061T6 copper-free aluminum with (5) black oxide, captive, stainless steel mounting screws. Self Evacuating Airtight Lamp Module (S.E.A.L.™). IP-68 rated, vacuum sealed enclosure.

Patented Anti-Condensation Valve (ACV™) eliminates condensation on interior components. High temperature silicone 'O' Ring at faceplate. Patented HydroLock® technology provides fail safe water barrier between junction box and interior components. Anti-siphon valve (ASV™) prevents "wicking" through conductor insulation. Corrosion-free composite flange projects into installation substrate to reinforce housing stability. Integral, copper-free aluminum concrete pour collar (CPC), furnished in Black finish, permits for direct burial installation in soil or concrete. Consult Drainage Installation Guide for In-Grade Fixtures (DIG-IT) for compliance with proper soil preparation and drainage requirements prior to installation.

Wiring

Teflon® coated, 18AWG, 600V, 250° C rated and certified to UL 1659 standard.

Hardware

Tamper-resistant, stainless steel hardware. LOCK™ aiming screw screw is additionally black oxide treated for additional corrosion resistance.

Finish

StarGuard®, our exclusive RoHs compliant, 15 stage chromate-free process cleans and conversion coats aluminum components prior to application of Class 'A' TGC polyester powder coating.

Warranty

5 year limited warranty.

Certification and Listing

ITL tested to IESNA LM-79. Lighting Facts Registration per USDOE (www.lightingfacts.com). ETL Listed to ANSI/UL Standard 1838 and UL Subject 8750 and Certified to CAN/CSA Standard C22.2 No. 9. RoHs compliant. Suitable for indoor or outdoor use. Suitable for use in wet locations. Suitable for installation within 4' of the ground. IP66 Rated. Made in USA.



*Teflon is a registered trademark of DuPont Corporation.

| | | | |
|---------------------|--|----------------------|-------------------------------|
| B-K LIGHTING | 40429 Brickyard Drive • Madera, CA 93638 • USA 559.438.5800 • FAX 559.438.5900 www.bklighting.com • info@bklighting.com | RELEASED 08-10-15 | DRAWING NUMBER SUB-2357-00 |
| | | | |