

STAFF STAR™ STYLE L

PROJECT:	
TYPE:	
CATALOG NUMBER:	
SOURCE:	
NOTES:	

CATALOG NUMBER LOGIC

Example: **SF** - **42** - **L** - **LED** - **e27** - **MFL** - **A3** - **BZW** - **13** - **11** - **B** - **PP18B**

Series _____
SF - Staff Star™ Pathlight

Stem Length _____
 24", 30", 36", 42", 48", *54", *60", *66", or *72"
 (Specify in inches) *For use with Standard Anchor Base Only

Style _____
L - 90° Radius

Source _____
LED - 'e' Technology with Integral Dimming Driver (25W min. load when dimmed)
 Designed for use with remote 12VAC BKSSL® transformers. Requires magnetic Low Voltage dimmer.

LED Type _____
e36 - 8WLED/2.7K **e23** - 8WLED/4K
e22 - 8WLED/3K **e27** - 8WLED/Amber

Optics* _____
NSP - Narrow Spot (Red Indicator) **MFL** - Medium Flood (Yellow Indicator)
SP - Spot (Green Indicator) **WFL** - Wide Flood (Blue Indicator)

Adjust-e-Lume® Output Intensity** (Choose factory setting) _____
A9 (Standard), **A8, A7, A6, A5, A4, A3, A2, A1**

Finish _____
 **Please see Adjust-e-Lume® photometry to determine desired intensity.

Aluminum Finish			Premium Finish		
Powder Coat Color	Satin	Wrinkle	ABP	CMG	RMG
Bronze	BZP	BZW	Antique Brass Powder	Cascade Mountain Granite	Rocky Mountain Granite
Black	BLP	BLW	AMG Aleutian Mountain Granite	CRI Cracked Ice	SDS Sonoran Desert Sandstone
White (Gloss)	WHP	WHW	AQW Antique White	CRM Cream	SMG Sierra Mountain Granite
Aluminum	SAP	—	BCM Black Chrome	HUG Hunter Green	TXF Textured Forest
Verde	—	VER	BGE Beige	MDS Mojave Desert Sandstone	WCP Weathered Copper
			BPP Brown Patina Powder	NBP Natural Brass Powder	WIR Weathered Iron
			CAP Clear Anodized Powder	OCP Old Copper	<i>Also available in RAL Finishes See submittal SUB-1439-00</i>

Lens Type _____
12 - Soft Focus Lens **13** - Rectilinear Lens

Shielding _____
11 - Honeycomb Baffle

Cap Style _____
A - 45° **C** - Flush **E** - 45° less Weep Hole (Interior Use Only)
B - 90° **D** - 45° less Weep Hole (Interior Use Only) **F** - 90° cutoff with Flush Lens

Options _____
Blank - Anchor Base (Standard, for use with remote transformer)
PP18B - 18" Power Pipe™ stake with 'B' Cap (for use with remote transformer)**
PP-TRe20 - Power Pipe™ "T" option with 18" stake and TRe20 Electronic Transformer** (105-300 VAC, 50/60 Hz, Non-Dimming)
 **For use with up to 48" maximum stem length
SF - Stability Flange (for use with Power Pipe™)

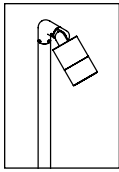
DRIVER DATA	Input Volts	InRush Current	Dimmable	Operation Ambient Temperature
	12VAC/DC 50/60Hz	<250mA MAX (non-dimmed)	Magnetic Low Voltage Dimmer	-10°F-130°F

LM79 DATA				L70 DATA	
BK No.	CCT (Typ.)	Input Watts (Typ.)	CRI (Typ.)	Minimum Rated Life (hrs.)	70% of initial lumens (L ₇₀)
e36	2700K	8.4	90	50,000	
e22	3100K	8.4	90	50,000	
e23	4100K	8.4	75	50,000	
e27	Amber (590nm)	7.9	~	50,000	

*OPTICAL DATA			
Beam Type	Angle	e23 CBCP	Visual Indicator
Narrow Spot	14°	3594	Red Dot
Spot	18°	2456	Green Dot
Medium Flood	25°	1335	Yellow Dot
Wide Flood	36°	747	Blue Dot

B-K LIGHTING	40429 Brickyard Drive • Madera, CA 93636 • USA 559.438.5800 • FAX 559.438.5900 www.bklighting.com • info@bklighting.com	SUBMITTAL DATE	DRAWING NUMBER
		01-26-15	SUB-2343-00

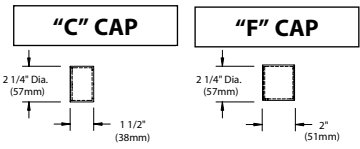
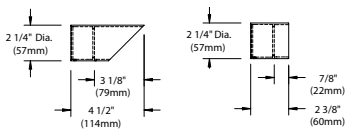
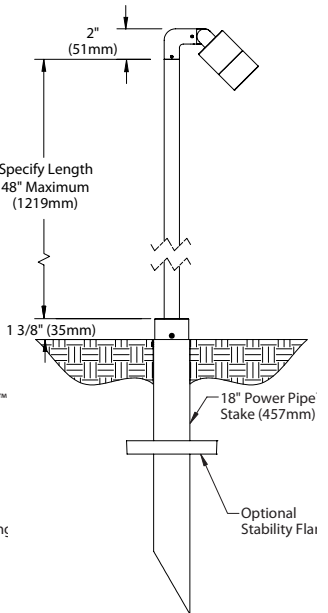
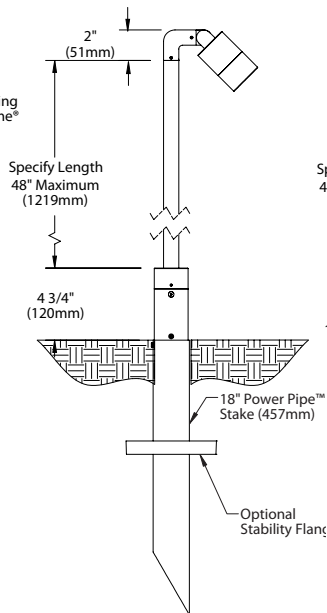
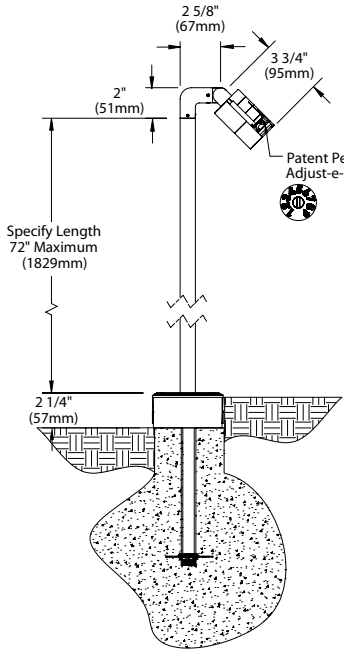
THIS DOCUMENT CONTAINS PROPRIETARY INFORMATION OF B-K LIGHTING, INC. AND ITS RECEIPT OR POSSESSION DOES NOT CONVEY ANY RIGHTS TO REPRODUCE, DISCLOSE ITS CONTENTS, OR TO MANUFACTURE, USE OR SELL ANYTHING IT MAY DESCRIBE. REPRODUCTION, DISCLOSURE OR USE WITHOUT SPECIFIC WRITTEN AUTHORIZATION OF B-K LIGHTING, INC. IS STRICTLY FORBIDDEN.



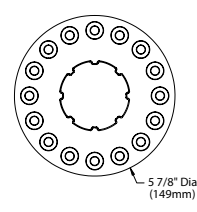
STAFF STAR™ STYLE L

PROJECT:	
TYPE:	

- ANCHOR BASE
- POWER PIPE 'T' (Mounting Option)
- POWER PIPE™ (Mounting Option)
- "A/D" CAP
- "B/E" CAP



STABILITY FLANGE (optional)



All dimensions indicated on this submittal are nominal. Contact Technical Sales if you require more stringent specifications.

SPECIFICATIONS

GreenSource Initiative™
Metal and packaging components are made from recycled materials. Manufactured using renewable solar energy, produced on site. Returnable to manufacturer at end of life to ensure cradle-to-cradle handling. Packaging contains no chlorofluorocarbons (CFC's). Use of this product may qualify for GreenSource efficacy and recycling rebate(s). Consult www.bklighting.com/greensource for program requirements.

Style
'L' Style provides clean, 90° transition from fixture to stem.

Materials
Furnished in Copper-Free Aluminum (Type 6061-T6).

Body
Fully machined from solid billet. Unibody design provides enclosed, water-proof wireway and integral heat sink for maximum component life. Integral knuckle for maximum mechanical strength. High temperature, silicone 'O' Ring provides water-tight seal.

Knuckle
The LOCK™ (Locking 'O' Ring Compression Knuckle) is comprised of two components. The first is integral to the body and features an interior, machined taper. The second is machined from solid billet and features a second, reverse angle taper. The resultant mechanical taper-lock allows a full 180° vertical adjustment without the use of serrated teeth, which inherently limit aiming. High temperature, silicone 'O' Ring provides water-tight seal and compressive resistance to maintain fixture position. Design withstands 73 lb. static load prior to movement to ensure decades of optical alignment. Biaxial sensor control with 360° horizontal rotation in addition to vertical adjustment.

Cap
Fully machined. Accommodates [1] lens or lower media. Choose from 45° cutoff ('A' or 'D'), 1° deep bezel with 90° cutoff ('B' or 'E'), flush lens ('C') cap styles, or 1° deep cutoff with flush mounted lens ('F'). Accommodates up to (2) lens or lower media. 'A' and 'B' caps include weep-hole for water and debris drainage. 'D' and 'E' caps exclude weep-hole and are for interior use only.

Stem
Fully machined, 1" dia. with internal threads for maximum visual appeal. Available in configurable lengths to 72" maximum overall (with Anchor Base) and 48" maximum overall (with Power Pipe™).

Lens
Shock resistant, tempered, glass lens is factory adhered to fixture cap and provides hermetically sealed optical compartment. Specify soft focus (#12) or rectilinear (#13) lens.

BKSSL®
Integrated solid state system with 'e' technology is scalable for field upgrade. Modular design with electrical quick disconnects permit field maintenance. High power, forward throw source complies with ANSI C78.377 binning requirements. Exceeds ENERGY STAR® lumen maintenance requirements. LM-80 certified components.

Integral, constant current driver. 12VAC/VDC input. 50/60Hz. Proprietary input control scheme achieves power factor correction and eliminates inrush current. Output, over-voltage, open-circuit, and short circuit protected. Inrush current limited to <250mA. Conforms to Safety Std. C22.2 No. 250.13-12.

Line dimmable. For use with low voltage dimmer with dedicated neutral conductor. Minimum 25 watt load required for dimming.

Adjust-e-Lume® (Pat. Pending)
Integral electronics allows dynamic lumen response at the individual fixture. Indexed (100% to 25% nom.) lumen output. Maintains output at desired level or may be changed as conditions require. Specify factory preset output intensity.

Optics
Interchangeable OPTIKIT™ modules permit field changes to optical distribution. Color-coded for easy reference: Narrow Spot (NSP) = Red. Spot (SP) = Green. Medium Flood (MFL) = Yellow. Wide Flood (WFL) = Blue.

Installation
Available for installation in three distinct mounting conditions:

Anchor Base (Standard)
Cast aluminum junction box with pass-through cover. 10" galvanized anchor stem for installation into soil or concrete. For use with 12VAC BKSSL remote transformer or magnetic transformers only. B-K Lighting cannot guarantee performance with third party manufacturers' transformers.

Power Pipe™ (Optional)
Provides a clean transition from wiring system to fixture. Schedule 80, 18" PVC housing for direct burial into soil or concrete. Machined 2-1/4" dia. cap for fixture mounting. Stainless steel hardware. Optional 6" diameter, molded stability flange, which simplifies installation and projects into substrate to reinforce housing stability. For use with 12VAC BKSSL remote transformer or magnetic transformers only. B-K Lighting cannot guarantee performance with third party manufacturers' transformers.

Power Pipe™ with Transformer Housing (Optional)
Additionally features integral transformer housing fully machined from copper-free aluminum. High temperature, silicone 'O' Ring provides water-tight seal. Integral, TRe20 electronic transformer. 105-300VAC primary voltage. 50/60Hz. Non Dimming. 20VA maximum load.

Wiring
Teflon® coated, 18AWG, 600V, 250° C rated and certified to UL 1659 standard.

Hardware
Tamper-resistant, stainless steel hardware. LOCK™ aiming screw is additionally black oxide treated for additional corrosion resistance.

Finish
StarGuard®, our exclusive RoHs compliant, 15 stage chromate-free process cleans and conversion coats aluminum components prior to application of Class 'A' TGIC polyester powder coating.

Warranty
5 year limited warranty.

Certification and Listing
ITL tested to IESNA LM-79. Lighting Facts Registration per USDOE (www.lightingfacts.com). ETL Listed to ANSI/UL Standard 1838 and UL Subject 8750 and Certified to CAN/CSA Standard C22.2 No. 9. RoHs compliant. Suitable for indoor or outdoor use. Suitable for use in wet locations. Suitable for installation within 4' of the ground. IP66 Rated. Made in USA.



*Teflon is a registered trademark of DuPont Corporation.
*Energy Star is a registered trademark of the United States Environmental Protection Agency.