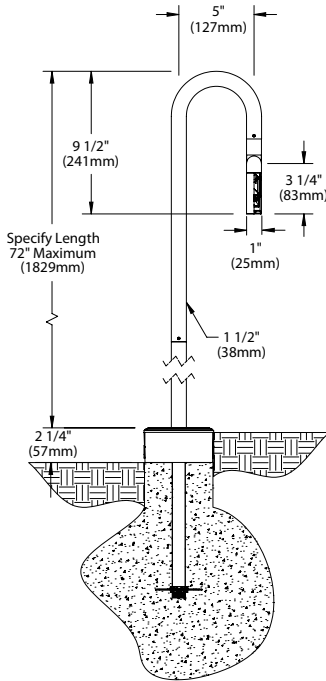


the power of 

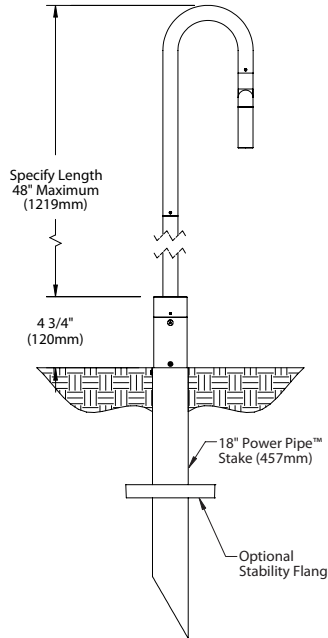
MINI-MICRO™ STAFF STAR STYLE B

PROJECT:	
TYPE:	

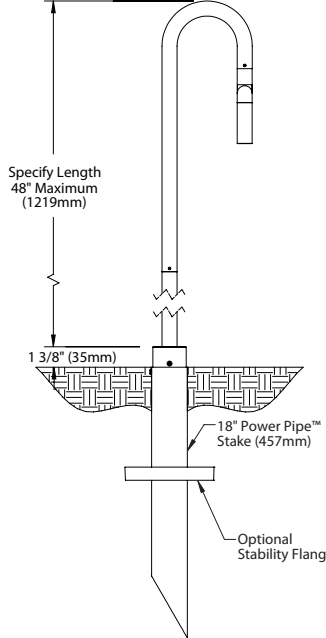
ANCHOR BASE



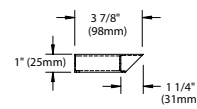
POWER PIPE 'T' (Mounting Option)



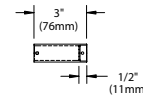
POWER PIPE™ (Mounting Option)



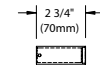
"A/D" CAP



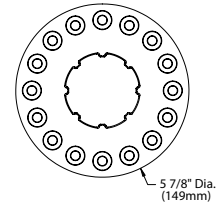
"B/E" CAP



"C" CAP



STABILITY FLANGE (optional)



All dimensions indicated on this submittal are nominal. Contact Technical Sales if you require more stringent specifications.

SPECIFICATIONS

GreenSource Initiative™

Metal and packaging components are made from recycled materials. Manufactured using renewable solar energy, produced on site. Returnable to manufacturer at end of life to ensure cradle-to-cradle handling. Packaging contains no chlorofluorocarbons (CFC's). Use of this product may qualify for GreenSource efficacy and recycling rebate(s). Consult www.bklighting.com/greensource for program requirements.

Style

'B' Style provides single bend 180° radius from fixture to stem.

Materials

Furnished in Copper-Free Aluminum (Type 6061-T6).

Body

Fully machined from solid billet. Unibody design provides enclosed, water-proof wireway and integral heat sink for maximum component life. Integral knuckle for maximum mechanical strength. High temperature, silicone 'O' Ring provides water-tight seal.

Knuckle

The LOCK™ (Locking 'O' Ring Compression Knuckle) is comprised of two components. The first is integral to the body and features an interior, machined taper. The second is machined from solid billet and features a second, reverse angle taper. The resultant mechanical taper-lock allows a full 180° vertical adjustment without the use of serrated teeth, which inherently limit aiming. High temperature, silicone 'O' Ring provides water-tight seal and compressive resistance to maintain fixture position. Design withstands 73 lb. static load prior to movement to ensure decades of optical alignment. Biaxial source control with 360° horizontal rotation in addition to vertical adjustment.

Cap

Fully machined. Accommodates [1] lens or louver media. Choose from 45° cutoff ('A' or 'D'), 3/8" deep bezel with 90° cutoff ('B' or 'E'), or flush lens ('C') cap styles. 'A' and 'B' caps include weep-hole for water and debris drainage. 'D' and 'E' caps exclude weep-hole and are for interior use only.

Stem

Fully machined, 1" dia. with internal threads for maximum visual appeal. Available in configurable lengths to 72" maximum overall (with Anchor Base) and 48" maximum overall (with Power Pipe™).

Lens

Shock resistant, tempered, glass lens is factory adhered to fixture cap and provides hermetically sealed optical compartment. Specify soft focus (#12) or rectilinear (#13) lens.

BKSSL®

Integrated solid state system with 'e' technology. High power, forward throw source complies with ANSI C78.377 binning requirements. Exceeds ENERGY STAR® lumen maintenance requirements. LM-80 certified components.

Integral non-dimming driver. Minimum 50,000 hour rated life at 70% of initial lumens (L70). BKSSL technology provides long life, significant energy reduction and exceptional thermal management.

Optics

OPTIKIT™ modules are color-coded for easy reference: Spot (SP) = Green. Flood (FL) = Blue.

Installation

Available for installation in three distinct mounting conditions:

Anchor Base (Standard)

Cast aluminum junction box with pass-through cover. 10° galvanized anchor stem for installation into soil or concrete. For use with 12VAC remote transformer or magnetic transformers only. B-K Lighting cannot guarantee performance with third party manufacturers' transformers.

Power Pipe™ (Optional)

Provides a clean transition from wiring system to fixture. Schedule 80, 18" PVC housing for direct burial into soil or concrete. Machined 2-1/4" dia. cap for fixture mounting. Stainless steel hardware. Optional 6" diameter, molded stability flange, which simplifies installation and projects into substrate to reinforce housing stability. For use with 12VAC remote transformer or magnetic transformers only. B-K Lighting cannot guarantee performance with third party manufacturers' transformers.

Power Pipe™ with Transformer Housing (Optional)

Additionally features integral transformer housing fully machined from copper-free aluminum. High temperature, silicone 'O' Ring provides water-tight seal. Integral, TRe20 electronic transformer. 105-300VAC primary voltage. 50/60Hz. Non Dimming. 20VA maximum load.

Wiring

PVC coated, 18AWG, 150V, 60°C rated and certified to UL 1838 standard.

Hardware

Tamper-resistant, stainless steel hardware. LOCK™ aiming screw screw is additionally black oxide treated for additional corrosion resistance.

Finish

StarGuard®, our exclusive RoHS compliant, 15 stage chromate-free process cleans and conversion coats aluminum components prior to application of Class 'A' TGIC polyester powder coating.

Warranty

5 year limited warranty.

Certification and Listing

ITL tested to IESNA LM-79. Lighting Facts Registration per USDOE (www.lightingfacts.com). ETL Listed to ANSI/UL Standard 1838 and UL Subject 8750 and Certified to CAN/CSA Standard C22.2 No. 9. RoHS compliant. Suitable for indoor or outdoor use. Suitable for use in wet locations. Suitable for installation within 4' of the ground. IP66 Rated. Made in USA.



*Energy Star is a registered trademark of the United States Environmental Protection Agency.

B-K LIGHTING	40429 Brickyard Drive • Madera, CA 93636 • USA 559.438.5800 • FAX 559.438.5900 www.bklighting.com • info@bklighting.com	SUBMITTAL DATE	DRAWING NUMBER
		01-23-15	SUB-2344-00