

Precision²
OF THE BRIGHTER SIDE OF LIGHTING

BKSSL[®]
SOLID STATE LIGHTING

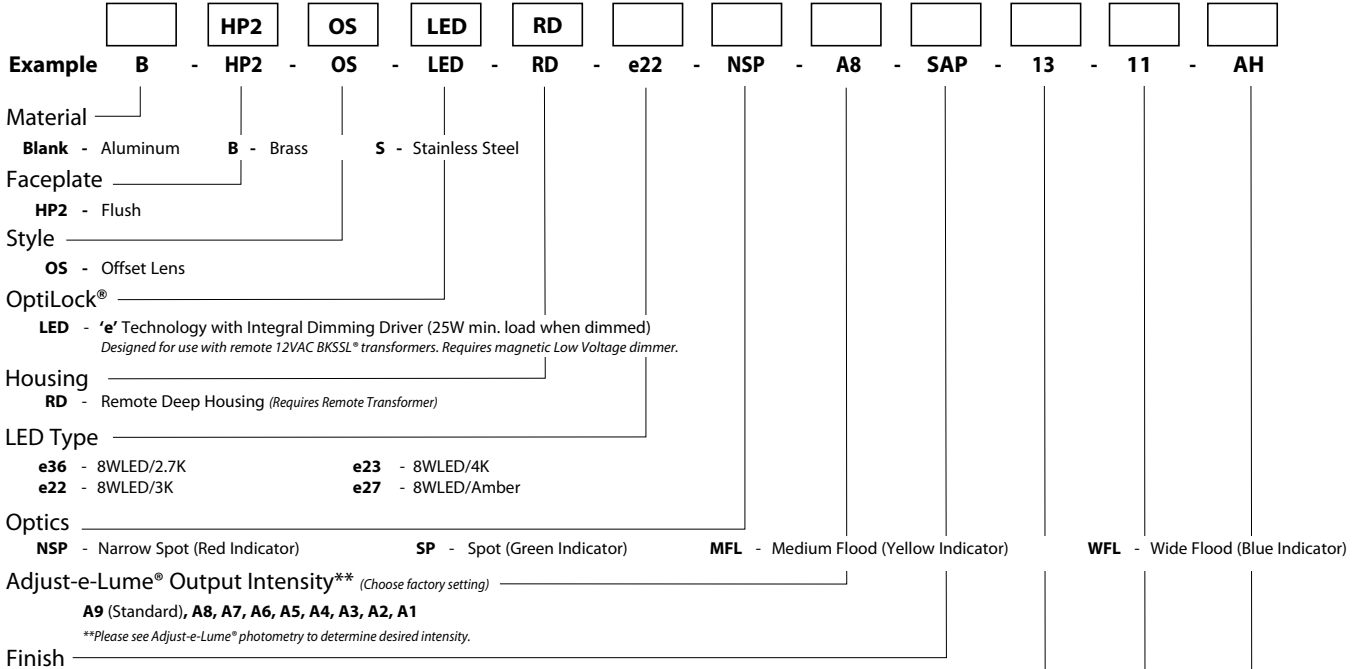
Remote Transformer (RD) • Offset



HP2

PROJECT:	
TYPE:	
CATALOG NUMBER:	
SOURCE:	
NOTES:	

CATALOG NUMBER LOGIC



Aluminum & Brass Faceplates			Brass Faceplates		Premium Finish		
Powder Coat Color	Satin	Wrinkle	Machined	MAC	ABP	CMG	RMG
Bronze	BZP	BZW	Polished	POL	AMG Aleutian Mountain Granite	CRI Cracked Ice	SDS Sonoran Desert Sandstone
Black	BLP	BLW	Mitique™	MIT	AQW Antique White	CRM Cream	SMG Sierra Mountain Granite
White (Gloss)	WHP	WHW	Stainless Faceplates		BCM Black Chrome	HUG Hunter Green	TXF Textured Forest
Aluminum	SAP	—	Machined	MAC	BGE Beige	MDS Mojave Desert Sandstone	WCP Weathered Copper
Verde	—	VER	Polished	POL	BPP Brown Patina Powder	NBP Natural Brass Powder	WIR Weathered Iron
			Brushed	BRU <small>Interior use only.</small>	CAP Clear Anodized Powder	OCF Old Copper	<i>Also available in RAL Finishes See submittal SUB-1439-00</i>

Lens Type: **12** - Soft Focus Lens, **13** - Rectilinear Lens

Shielding: **11** - Honeycomb Baffle

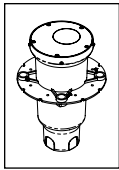
Option: **AH** - Accessory Holder (Accommodates up to 2 Media. Included as Standard)
DG - Dome Glass Lens (Replaces Flat Glass. Not Driveover Rated)
GM-R - Round Grout Mask
GM-S - Square Grout Mask
**Furnished in copper free aluminum. Finish to Match Faceplate. Dome lens included.*

DRIVER DATA	Input Volts	InRush Current	Operation Ambient Temperature
	12VAC/DC 50/60Hz	250mA. Max. (non-dimmed) Magnetic Low Voltage Dimmer	-10°F-130°F

LM79 DATA				L70 DATA		*OPTICAL DATA			
BK No.	CCT (Typ.)	Input Watts (Typ.)	CRI (Typ.)	Minimum Rated Life (hrs.) 70% of initial lumens (L70)		Beam Type	Angle	e23 CBCP	Visual Indicator
e36	2700K	8.4	80	50,000		Narrow Spot	14°	3594	Red Dot
e22	3100K	8.4	80	50,000		Spot	18°	2456	Green Dot
e23	4100K	8.4	80	50,000		Medium Flood	25°	1335	Yellow Dot
e27	Amber (590nm)	7.9	~	50,000		Wide Flood	36°	747	Blue Dot

B-K LIGHTING	40429 Brickyard Drive • Madera, CA 93636 • USA 559.438.5800 • FAX 559.438.5900 www.bklighting.com • info@bklighting.com	RELEASED 06-29-15	DRAWING NUMBER SUB-2381-00
---------------------	---	----------------------	-------------------------------

THIS DOCUMENT CONTAINS PROPRIETARY INFORMATION OF B-K LIGHTING, INC. AND ITS RECEIPT OR POSSESSION DOES NOT CONVEY ANY RIGHTS TO REPRODUCE, DISCLOSE ITS CONTENTS, OR TO MANUFACTURE, USE OR SELL ANYTHING IT MAY DESCRIBE. REPRODUCTION, DISCLOSURE OR USE WITHOUT SPECIFIC WRITTEN AUTHORIZATION OF B-K LIGHTING, INC. IS STRICTLY FORBIDDEN.



Precision²
IP-68 Rated Fixtures Lighting

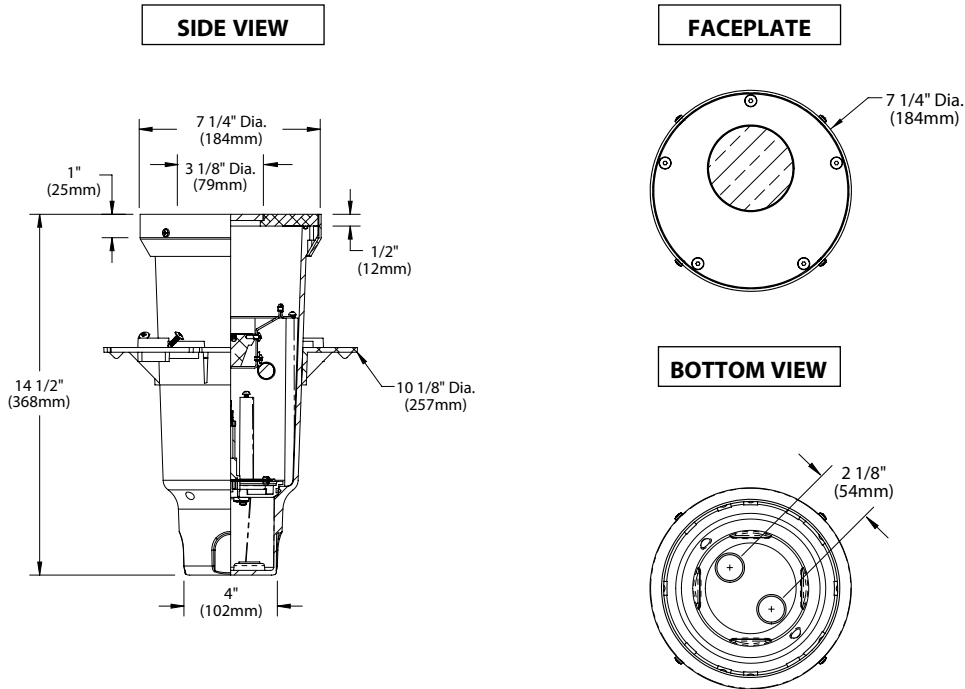
BKSSL
SOLID STATE LIGHTING

Remote Transformer (RD) • Offset

the power of  with **adjust-e-lume[®]** TECHNOLOGY

HP2

PROJECT:	
TYPE:	



All dimensions indicated on this submittal are nominal. Contact Technical Sales if you require more stringent specifications.

SPECIFICATIONS

GreenSource Initiative™

Metal and packaging components are made from recycled materials. Manufactured using renewable solar energy, produced on site. Returnable to manufacturer at end of life to ensure cradle-to-cradle handling. Packaging contains no chlorofluorocarbons (CFC's). Use of this product may qualify for GreenSource efficacy and recycling rebate(s). Consult www.bklighting.com/greensource for program requirements.

Fixture Housing

Corrosion-free composite, made from high strength, thermo-formed, sheet molded polyester compound. Glass reinforced, flame retardant and UV stabilized. (2) bottom-entry, 3/4" NPT female conduit entries with knockout plugs and (4) side flats for 1/2" or 3/4" conduit adapters.

Patented Stability Flange

Corrosion-free composite flange projects into installation sub-strate to reinforce housing stability. Integral REBAR saddles simplify installation onto concrete form. (4) Orthogonal bosses permit use of 1/2" PCV conduit or EMT to simplify vertical position and leveling of housing. Pre-set self-tapping screws anchor housing at proper elevation.

Aiming

Dual axis OptiLock® stainless steel aiming bracket rotates 360° and provides vertical adjustment up to 35° from nadir. Positive lock action ensures optical orientation.

BKSSL®

Integrated solid state system with 'e' technology is scalable for field upgrade. Modular design with electrical quick disconnects permit field maintenance. High power, forward throw source complies with ANSI C78.377 lighting requirements. Exceeds ENERGY STAR® lumen maintenance requirements.

Integral, constant current driver. 12VAC/VDC input. 50/60Hz. Proprietary input control scheme achieves power factor correction and eliminates inrush current. Output, over-voltage, open-circuit, and short circuit protected. Inrush current limited to 250mA. (non-dimmed). Conforms to Safety Std. C22.2 No. 250.13-12.

Line dimmable. For use with low voltage dimmer with dedicated neutral conductor. Minimum 25 watt load required for dimming.

Optics

Interchangeable OPTIKIT™ modules permit field changes to optical distribution. Color-coded for easy reference: Narrow Spot (NSP) = Red. Spot (SP) = Green. Medium Flood (MFL) = Yellow. Wide Flood (WFL) = Blue.

Adjust-e-Lume® (Pat. Pending)

Integral electronics allows dynamic lumen response at the individual fixture. Indexed (100% to 25% nom.) lumen output. Maintains output at desired level or may be changed as conditions require. Specify factory preset output intensity.

Installation

Integral, copper-free aluminum concrete pour collar (CPC), furnished in Black finish, permits for direct burial installation in soil or concrete. Consult Drainage Installation Guide for In-Grade Fixtures (DIG-IT) for compliance with proper soil preparation and drainage requirements prior to installation.

Remote Transformer

For use with 12VAC BKSSL remote transformer or magnetic transformers only. B-K Lighting cannot guarantee performance with third party manufacturers' transformers.

Wiring / Connectors

Teflon® coated wire, 18 gauge, 600V, 250°C rated and certified to UL1659 standard. Features OptiLock® and gear tray quick disconnects. Patented HydroLock® with anti-siphon valve (ASV™) wireway. (3) Water-Tight connectors supplied for line connection. Maximum (2) #10 & (1) #18. Minimum (1) #12 & (1) #18.

Water Management

Self Evacuating Airtight Lamp Module (S.E.A.L.™). IP-68 rated, vacuum sealed enclosure. Patented Anti-Condensation Valve (ACV™) eliminates condensation from optical chamber. High temperature silicone 'O' Ring at faceplate. Patented HydroLock® technology provides fail safe water barrier between junction box and interior components. Anti-siphon valve (ASV™) prevents "wicking" through conductor insulation.

Lens

High heat, shock resistant, tempered 1/4" borosilicate flat glass lens. Suitable for walk-over and drive-over applications to 35,000 lbs. Specify soft focus (#12) or rectilinear (#13) lens.

Faceplate

Solid, 1/2" machined 6061T6 aluminum with (5) black oxide, captive, stainless steel mounting screws. Faceplate options include solid, 1/2" machined brass and solid, 1/2" machined stainless steel.

Finish

StarGuard®, our exclusive RoHs compliant, 15 stage chromate-free process cleans and conversion coats aluminum components prior to application of Class 'A' TGIC polyester powder coating. Brass components are available in powder coat or handcrafted metal finish. Stainless steel components are available in handcrafted metal finish. (Brushed finish for interior use only).

Listings

ETL Listed to ANSI/UL Standard 1598 and Certified to CAN/CSA Standard C22.2 No. 250. RoHs compliant. IP68 Rated. Made in the USA.



*Teflon is a registered trademark of DuPont Corporation.
*Energy Star is a registered trademark of the United States Environmental Protection Agency.

B-K LIGHTING	40429 Brickyard Drive • Madera, CA 93636 • USA 559.438.5800 • FAX 559.438.5900 www.bklighting.com • info@bklighting.com	RELEASED 06-29-15	DRAWING NUMBER SUB-2381-00
	Precision2® and its features are covered in whole or in part by U.S. Patent Nos. 7,033,038; 6,254,258 B1; 7,249,867 B2; 7,370,988 B2; 7,553,042; 7,560,148; and 7,699,489.		