

BKSSL
SOLID STATE LIGHTING



ARTISTAR™ RECESSED UPLIGHT

PROJECT:	
TYPE:	
CATALOG NUMBER:	
SOURCE:	
NOTES:	

CATALOG NUMBER LOGIC

Example S - UL - F - AR - LED - e22 - NSP - A6 - BLW - 12 - 11

GET A QUOTE >

Material ————
Blank - Aluminum
B - Brass
S - Stainless Steel

Series ————
UL - Recessed Uplight

Installation ————
F - Flush mount
S - Surface mount

Fixture ————
AR - ArtiStar™

Source ————
LED - 'e' Technology with Integral Dimming Driver (25W min. load when dimmed). Refer to dimmer for minimum load required.
Designed for use with remote 12VAC BKSSL® transformers. Requires magnetic Low Voltage dimmer.

LED Type ————

Optics* ————
e36 - 8WLED/2.7K **e23** - 8WLED/4K
e22 - 8WLED/3K **e27** - 8WLED/Amber

NSP - Narrow Spot (Red Indicator) **MFL** - Medium Flood (Yellow Indicator)
SP - Spot (Green Indicator) **WFL** - Wide Flood (Blue Indicator)

Adjust-e-Lume® Output Intensity** (Choose factory setting) ————
A9 (Standard), **A8, A7, A6, A5, A4, A3, A2, A1**
***Please see Adjust-e-Lume® photometry to determine desired intensity.*

Finish ————

Aluminum Finish			Brass Finish		Premium Finish		
Powder Coat Color	Satin	Wrinkle	Machined	MAC	ABP Antique Brass Powder	CMG Cascade Mountain Granite	RMG Rocky Mountain Granite
Bronze	BZP	BZW	Polished	POL	AMG Aleutian Mountain Granite	CRI Cracked Ice	SDS Sonoran Desert Sandstone
Black	BLP	BLW	Mitique™	MIT	AQW Antique White	CRM Cream	SMG Sierra Mountain Granite
White (Gloss)	WHP	WHW	Stainless Finish		BCM Black Chrome	HUG Hunter Green	TXF Textured Forest
Aluminum	SAP	—	Machined	MAC	BGE Beige	MDS Mojave Desert Sandstone	WCP Weathered Copper
Verde	—	VER	Polished	POL	BPP Brown Patina Powder	NBP Natural Brass Powder	WIR Weathered Iron
			Brushed	BRU <small>Interior use only.</small>	CAP Clear Anodized Powder	OCF Old Copper	<i>Also available in RAL Finishes See submittal SUB-1439-00</i>

Lens ————
12 - Soft Focus Lens **13** - Rectilinear Lens

Shielding ————
11 - Honeycomb Baffle

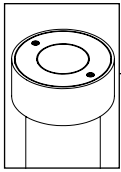
DRIVER DATA	Input Volts	InRush Current	Dimmable	Operation Ambient Temperature
	12VAC/DC 50/60Hz	<250mA max (non-dimmed)	Magnetic Low Voltage Dimmer	-22°F-184°F (-30°C-90°C)

LM79 DATA			
BK No.	CCT (Typ.)	Input Watts (Typ.)	CRI (Typ.)
e36	2700K	8.4	90
e22	3100K	8.4	90
e23	4100K	8.4	75
e27	Amber (590nm)	7.9	~

L70 DATA	
Minimum Rated Life (hrs.)	70% of initial lumens (L70)
50,000	50,000
50,000	50,000
50,000	50,000
50,000	50,000

*OPTICAL DATA		
Beam Type	Angle	Visual Indicator
Narrow Spot	14°	Red Dot
Spot	18°	Green Dot
Medium Flood	25°	Yellow Dot
Wide Flood	36°	Blue Dot

B-K LIGHTING	40429 Brickyard Drive • Madera, CA 93636 • USA 559.438.5800 • FAX 559.438.5900 www.bklighting.com • info@bklighting.com	RELEASED 07-10-15	DRAWING NUMBER SUB-2322-00
	THIS DOCUMENT CONTAINS PROPRIETARY INFORMATION OF B-K LIGHTING, INC. AND ITS RECEIPT OR POSSESSION DOES NOT CONVEY ANY RIGHTS TO REPRODUCE, DISCLOSE ITS CONTENTS, OR TO MANUFACTURE, USE OR SELL ANYTHING IT MAY DESCRIBE. REPRODUCTION, DISCLOSURE OR USE WITHOUT SPECIFIC WRITTEN AUTHORIZATION OF B-K LIGHTING, INC. IS STRICTLY FORBIDDEN.		



BKSSL
SOLID STATE LIGHTING

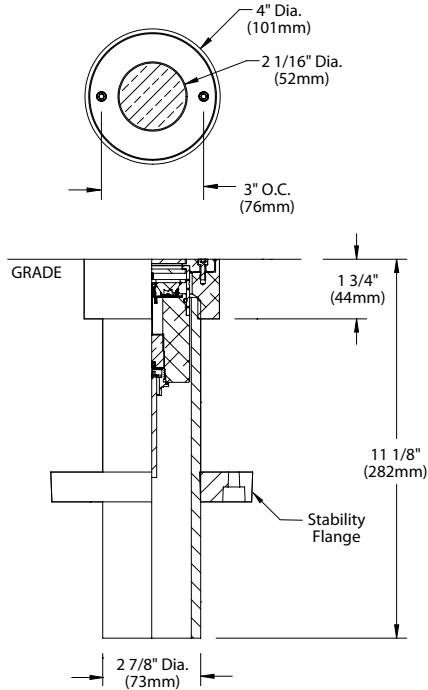
the power of  with **adjust-e-lume**[®] TECHNOLOGY

ARTISTAR™ RECESSED UPLIGHT

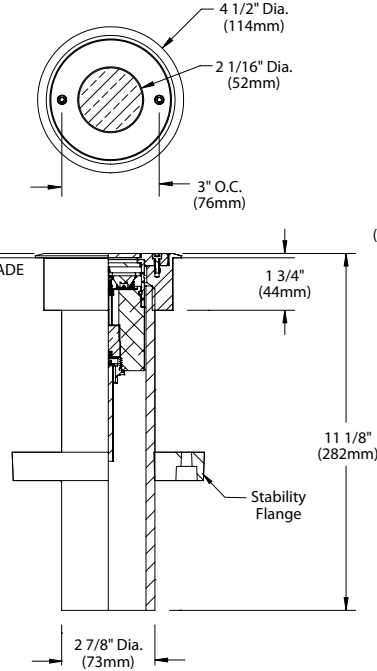
PROJECT:

TYPE:

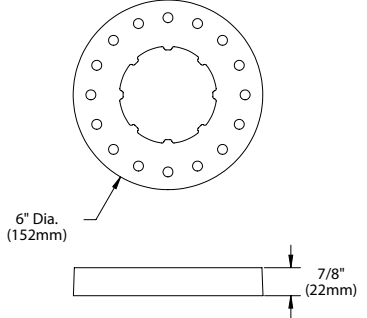
FLUSH MOUNT



SURFACE MOUNT



STABILITY FLANGE



All dimensions indicated on this submittal are nominal. Contact Technical Sales if you require more stringent specifications.

SPECIFICATIONS

GreenSource Initiative™

Metal and packaging components are made from recycled materials. Manufactured using renewable solar energy, produced on site. Returnable to manufacturer at end of life to ensure cradle-to-cradle handling. Packaging contains no chlorofluorocarbons (CFC's). Use of this product may qualify for GreenSource efficacy and recycling rebate(s). Consult www.bklighting.com/greensource for program requirements.

Materials

Furnished in Copper-Free Aluminum (Type 6061-T6), Brass (Type 360) or Stainless Steel (Type 304).

Body

Fully machined from solid billet. Unibody design provides enclosed, water-proof wireway and integral heat sink for maximum component life. Provided with hard-coat (Type III) black anodize finish for maximum corrosion resistance. Weather-tight cable connector with 5' 18Ga., 2 wire low voltage cable. High temperature, silicone 'O' Ring provides water-tight seal.

Housing

Fixture provided with 2-7/8" dia., Schedule 80 PVC housing for direct burial into soil or concrete. 6" dia., molded stability flange projects into substrate to simplify installation and reinforce housing stability.

Faceplate

Fully machined from solid billet. Countersunk holes provide for flush hardware mounting. Accommodates [1] lens or louver media.

Lens

Shock resistant, tempered, glass lens is factory adhered to fixture cap and provides hermetically sealed optical compartment. Specify soft focus (#12) or rectilinear (#13) lens.

BKSSL®

Integrated solid state system with 'e' technology is scalable for field upgrade. Modular design with electrical quick disconnects permit field maintenance. High power, forward throw source complies with ANSI C78.377 binning requirements. Exceeds ENERGY STAR® lumen maintenance requirements. LM-80 certified components.

Integral, constant current driver. 12VAC/VDC input. 50/60Hz. Proprietary input control scheme achieves power factor correction and eliminates inrush current. Output, over-voltage, open-circuit, and short circuit protected. Inrush current limited to <250mA max (non-dimming). Conforms to Safety Std. C22.2 No. 250.13-12.

Adjust-e-Lume® (Pat. Pending)

Integral electronics allows dynamic lumen response at the individual fixture. Indexed (100% to 25% nom.) lumen output. Maintains output at desired level or may be changed as conditions require. Specify factory preset output intensity.

Optics

Interchangeable OPTIKIT™ modules permit field changes to optical distribution. Color-coded for easy reference: Narrow Spot (NSP) = Red. Spot (SP) = Green. Medium Flood (MFL) = Yellow. Wide Flood (WFL) = Blue.

Installation

Flush Mount features integral concrete pour collar. Top edge of collar to be installed flush with finished grade. Collar material and finish to match faceplate. (2) Threaded holes for faceplate installation. Faceplate is suitable for walk-over and drive-over applications to 35,000 lbs. GVW.

Surface Mount features fully machined copper-free aluminum installation collar. Collar material and finish to match faceplate. (2) Threaded holes for faceplate installation.

Remote transformer

For use with 12VAC BKSSL remote transformer or magnetic transformers only. B-K Lighting cannot guarantee performance with third party manufacturers' transformers.

Wiring

PVC coated, 18AWG, 150V, 60°C rated and certified to UL 1838 standard. Anti-Siphon Valve (ASV™) prevents "wicking" through conductor insulation.

Hardware

Tamper-resistant, stainless steel hardware. Faceplate screws are additionally black oxide treated for additional corrosion resistance.

Finish

StarGuard®, our exclusive RoHS compliant, 15 stage chromate-free process cleans and conversion coats aluminum components prior to application of Class 'A' TGIC polyester powder coating. Brass components are available in powder coat or handcrafted metal finish. Stainless steel components are available in handcrafted metal finish. (Brushed finish for interior use only).

Warranty

5 year limited warranty.

Certification and Listing

ITL tested to IESNA LM-79. Lighting Facts Registration per USDOE (www.lightingfacts.com). ETL Listed to ANSI/UL Standard 1838 and UL Subject 8750 and Certified to CAN/CSA Standard C22.2 No. 9. RoHS compliant. Suitable for indoor or outdoor use. Suitable for use in wet locations. IP 66 Rated. Made in USA.



*Energy Star is a registered trademark of the United States Environmental Protection Agency.

B-K LIGHTING

40429 Brickyard Drive • Madera, CA 93636 • USA
559.438.5800 • FAX 559.438.5900
www.bklighting.com • info@bklighting.com

RELEASED
07-10-15

DRAWING NUMBER
SUB-2322-00