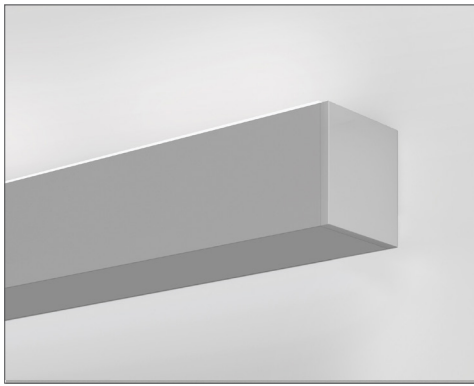


Beam 4

Wall mount - Indirect



Glo Lens

Project _____

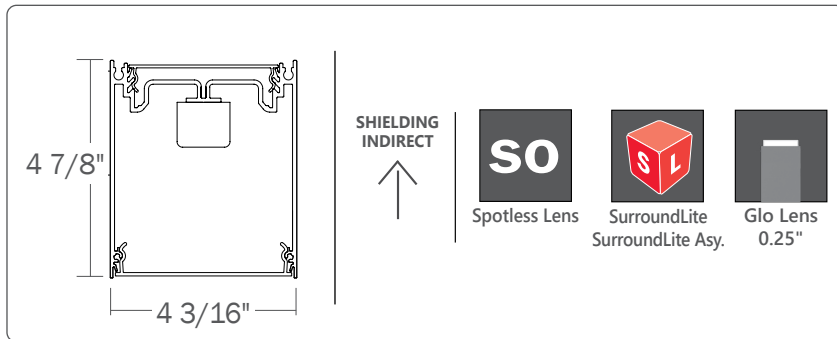
Type _____

Notes _____

PERFORMANCE PER LINEAR FOOT AT 3500K

NOMINAL LUMEN OUTPUT	INPUT WATTS*	EFFICACY	SHIELDING
1100 lm/ft	41 W/ft	107 lm/W	SO

Please consult factory for custom lumen output and wattage.



Ordering Guide

TB4WILED		NOM. LUM/FT UP		CRI		COLOR TEMP.		SHIELDING	
TB4WILED	PRODUCT ID	400	1100	80	90	27	30	35	40
	BEAM4 - Wall Indirect LED	400 lm/ft - Minimum	1100 lm/ft - Maximum	80 CRI	90 CRI	2700 K	3000 K	3500 K	4000 K
		Outputs between listed min and max are available. Consult factory for outputs outside of the listed range.				Consult Axitune spec sheet for Axis color technology options		Choose only one of the options above	
								SO spotless lens	SL surroundlite
								SLA surroundlite asymmetric	0.25G 0.25" Glo lens

LENGTH (FT)	MR (OPTIONAL)	FINISH	VOLTAGE	DRIVER	CIRCUITS
2 2'	DMLED(#) downlight module LED	AP aluminum paint	120 120 V	DP dimming (0-10V) 1%	1 1 circuit
3 3'		W white	277 277 V	LT Lutron (1)	2 2 circuits
4 4'		BLK black	347 347 V	BI bi-level dimming	+E(#) emergency circuit (3)
5 5'		C custom	UNV universal	O other (2)	+NL(#) night light circuit (3)
8 8'					+GTD(#) generator transfer device (3)
12 12'					+M MR
S# System Run	Add 6" per lamp. Specify quantity Separate circuits included Requires 120V or 277V			(1) Specify system (2) Please consult factory; see page 2 Consult Axitune spec sheet for Axis color driver options	(3) Specify quantity

BATTERY (OPTIONAL)	OTHER (OPTIONAL)	IC CONTROLS (OPTIONAL)	CUSTOM (OPTIONAL)
B# battery pack (integral)	F fuse (4)	DS# daylight sensor OS# occupancy sensor DOS# daylight & occupancy sensor EN# Enlighted integral (5) ENR# Enlighted remote (5) WC# wireless control dimming	C custom
Minimum 5ft; Not available with 347V Please consult factory	(4) Requires 120V or 277V	(5) Please consult factory Specify quantity. Requires 8" blank. See integrated controls guide for more details.	Please specify

● CONSTRUCTION

Housing	Extruded aluminum (0.075" nominal) Up to 70% recycled content
End Cap	Cast aluminum
Interior Brackets	Die formed sheet steel (20 gauge)
Reflectors	White powder coated sheet steel (22 gauge)
Lenses	Extruded acrylic (0.070" nominal)
Hanger	Die cast aluminum
Suspension	Sliding aircraft cable along product length

● SYSTEM (S#)

BEAM 4 linear systems, with the use of a strong profile, allow for a nearly hair thin connection system of continuous runs. Lengths of 4', 8', 12' as well as custom lengths are available. Runs of BEAM 4 that are greater than 12' in length are designated as systems (S#). This means that the run is comprised of a combination of 4', 8' and/or 12' sections to be assembled on site using our joining system. System runs with SurroundLite available in 1' increments only. For more information on systems and joining, please refer to the BEAM installation sheets available for download at www.axislighting.com.

● ELECTRICAL

Lutron driver*	LDE1 - EcoSystem H-Series (1%) LDE5 - EcoSystem 5-Series (5%) LTE - Hi-Lume® A-series 2Wires Forward Phase (1%) <small>*Consult factory</small>
Other drivers	DALI - Digital Addressable Lighting Interface DMX - Digital Multiplex LV - line voltage - Advance Mark 10 Xitanium SR - For wireless sensor POE (Power over Ethernet) - Low Voltage Lighting System.
Emergency	Integral emergency battery pack or emergency circuit optional.
Input Voltage	120V, 277V, 347V, UNV.

● WARRANTY

Axis Lighting will warrant defective LEDs, boards, and drivers for 5 years from date of purchase. Warranty is valid if luminaire is installed and used according to specifications. If defective, Axis will send replacement boards or drivers at no cost along with detailed replacement instructions and instructions on how to return defective components to Axis.

i Incorporating these components may have limitations or affect the length of the luminaire. Please contact factory for more details.

● LED SYSTEM

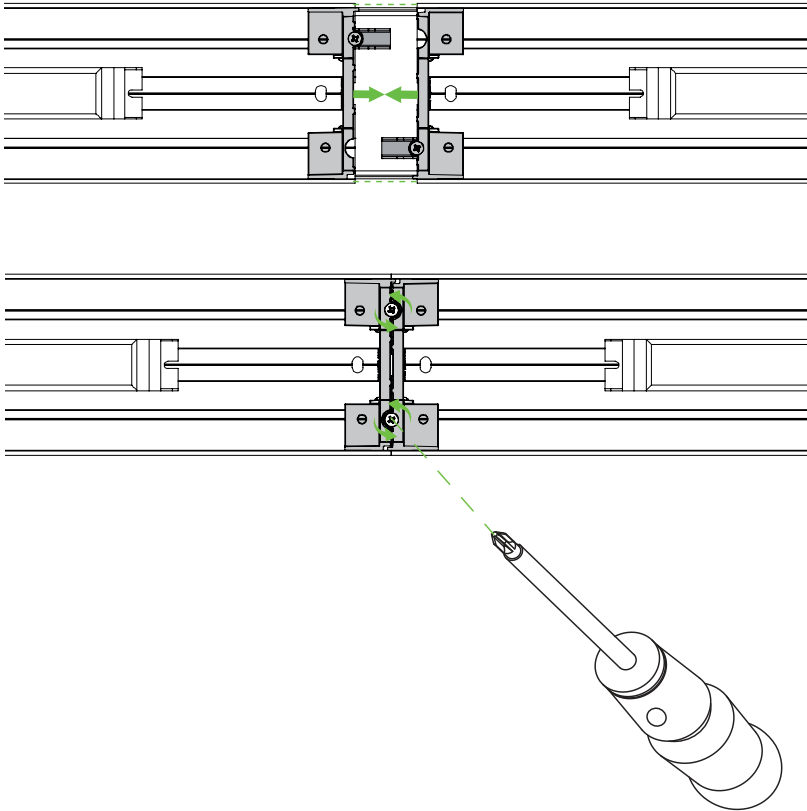
CRI	Minimum 80 or 90 color rendering index.
CCT	Choice of 2700K, 3000K, 3500K and 4000K color temperature with a great color consistency (within 3-step MacAdam ellipse). Both within fixture and fixture to fixture.
LED life	Minimum 50,000h with 85% of lumen maintenance in 25°C ambient temperature, in compliance with IES LM-80 testing measurements.
Thermal Management	Aluminum housing acting as the heat sink to maximize life.
Environment	Dry and damp rated in operating ambient temperatures of 0-40°C (32-104F).

● JOINERS

BEAM 4 luminaires feature the joining mechanism shown below. This mechanism joins and aligns multiple luminaires to create long continuous runs of light.

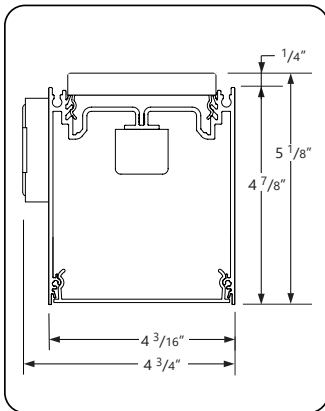
NOTE: Mount each system segment individually.

Do not assemble system prior to mounting

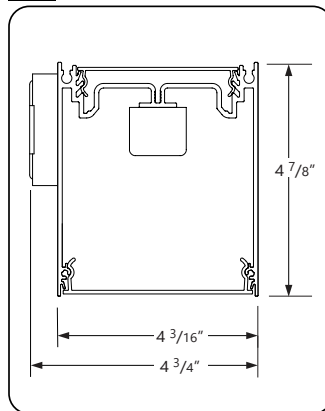


SECTION VIEWS

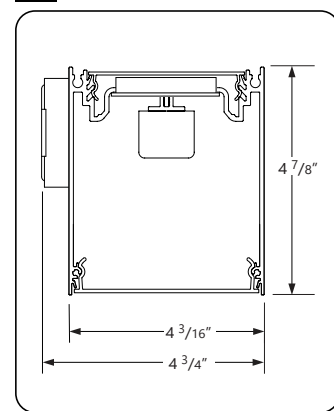
0.25G 0.25" Glo lens - Indirect



SO Spotless lens - Indirect

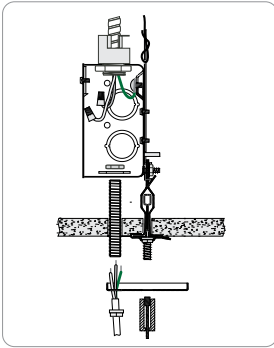


SLA SurroundLite Asymmetric - Indirect

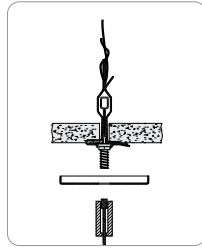


● MOUNTING OPTIONS

CT TILE CEILING - ON GRID

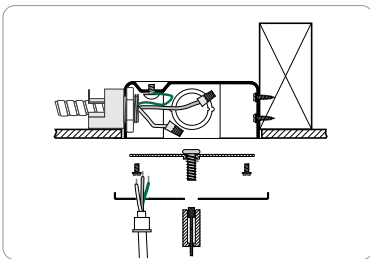


Power feed

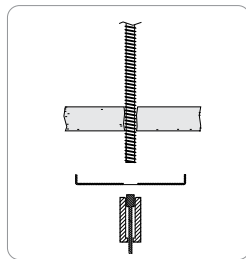


Non power feed

CA DRYWALL CEILING

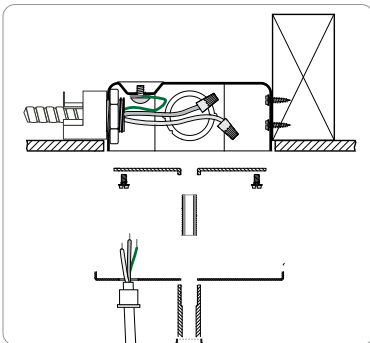


Power feed

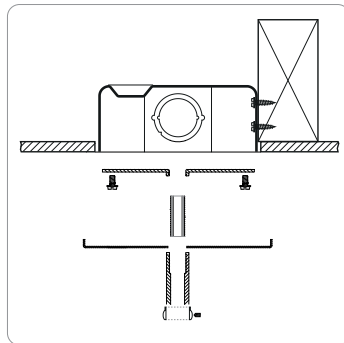


Non power feed

SA STEM MOUNT IN DRYWALL CEILING



Power feed




Non power feed

● FINISH

Aluminium paint, powder coated and custom finishes are also available.

● APPROVALS

Certified to UL and CSA standards 
 Meets NYC requirements
 Meets ADA requirements.
 Suitable for damp locations.

● OTHER MOUNTING OPTIONS

BEAM 4 is also available with wall mounted option.

i Specification sheets and installation sheets for all mountings for BEAM 4 luminaires are available for download at www.axislighting.com

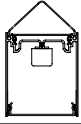
Beam 4

Wall mount - Indirect

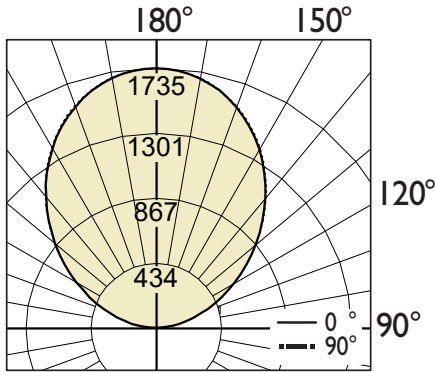
● PHOTOMETRIC DATA

SO Spotless lens - Up

Uplight
1100 lm/ft



PHOTOMETRIC CURVE



CANDELA DISTRIBUTION					
Vertical Angle	Horizontal Angles				
	0	22.5	45	67.5	90
90	3	5	6	6	4
95	69	72	72	68	64
105	250	256	262	267	264
115	482	487	490	493	488
125	742	746	747	748	743
135	1014	1015	1014	1016	1009
145	1274	1274	1271	1272	1266
155	1491	1492	1488	1490	1485
165	1644	1645	1644	1645	1642
175	1724	1725	1724	1725	1724
180	1735	1735	1735	1735	1735

ZONAL LUMENS	
Zone	Lumens
90	
90-100	81
100-110	277
110-120	485
120-130	667
130-140	782
140-150	795
150-160	685
160-170	463
170-180	164
180	

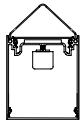
Lumen/ft up: 1100 lm/ft
 Total Lumens: 4399 lm (for 4ft)
 Input Watts: 41 W
 Efficacy: 107 lm/W

IES FILE: TB4ILED-1100-0-80-35-SO-4.IES

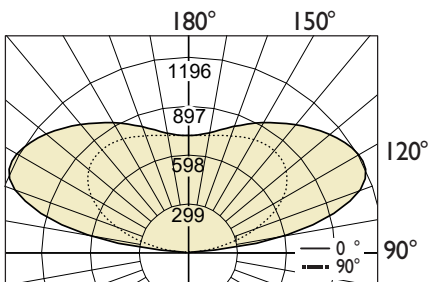
TESTED ACCORDING TO IES LM-79-2008

SL SurrounLite - Up

Uplight
1100 lm/ft



PHOTOMETRIC CURVE



CANDELA DISTRIBUTION					
Vertical Angle	Horizontal Angles				
	0	22.5	45	67.5	90
90	57	53	41	25	11
95	66	131	168	179	167
105	328	412	587	823	917
115	576	643	794	1049	1190
125	735	790	893	1064	1160
135	801	842	912	1010	1063
145	802	826	878	930	956
155	770	781	814	843	856
165	733	737	749	762	767
175	710	710	712	713	713
180	706	706	706	706	706

ZONAL LUMENS	
Zone	Lumens
90	
90-100	187
100-110	634
110-120	828
120-130	825
130-140	714
140-150	552
150-160	377
160-170	214
170-180	68
180	

Lumen/ft up: 1100 lm/ft
 Total Lumens: 4399 lm (for 4ft)
 Input Watts: 40 W
 Efficacy: 110 lm/W

IES FILE: TB4ILED-1100-80-35-SL-4.IES

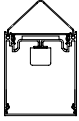
TESTED ACCORDING TO IES LM-79-2008

i All IES files are available for download at: www.axislighting.com

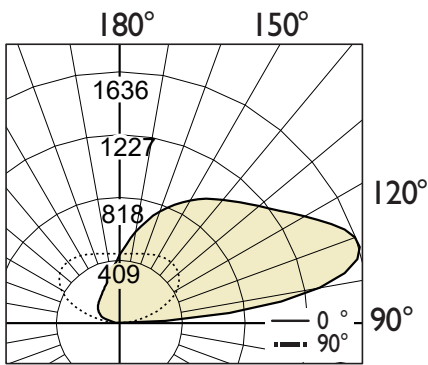
● PHOTOMETRIC DATA

SLA SurroundLite Assymetric - **Up**

Uplight
750 lm/ft



PHOTOMETRIC CURVE



Lumen/ft up: 750 lm/ft
Total Lumens: 3000 lm (for 4ft)
Input Watts: 26.1 W
Efficacy: 115 lm/W
 IES FILE:TB4ILED-750-80-35-4-SLA.IES

TESTED ACCORDING TO IES LM-79-2008

CANDELA DISTRIBUTION

Vertical Angle	Horizontal Angles				
	0	22.5	45	67.5	90
90	1	1	1	1	2
95	48	178	408	526	714
105	214	398	741	1324	1597
115	372	560	836	1294	1518
125	472	656	876	1151	1269
135	513	691	876	1047	1105
145	512	680	832	954	982
155	490	629	751	837	847
165	465	556	637	692	685
175	449	481	510	531	512
180	444	444	444	444	444

ZONAL LUMENS

Zone	Lumens
90	
90-100	216
100-110	503
110-120	552
120-130	515
130-140	444
140-150	348
150-160	241
160-170	137
170-180	43
180	

i All IES files are available for download at: www.axislighting.com