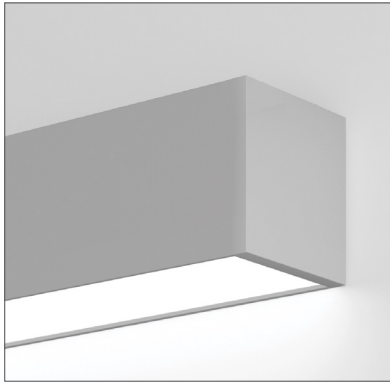
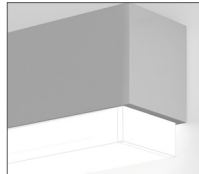


Beam 4

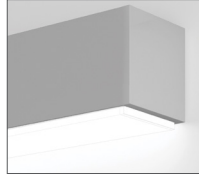
Wall mount - Direct



Flush Spotless Lens - down



StepLens 1.5 - down

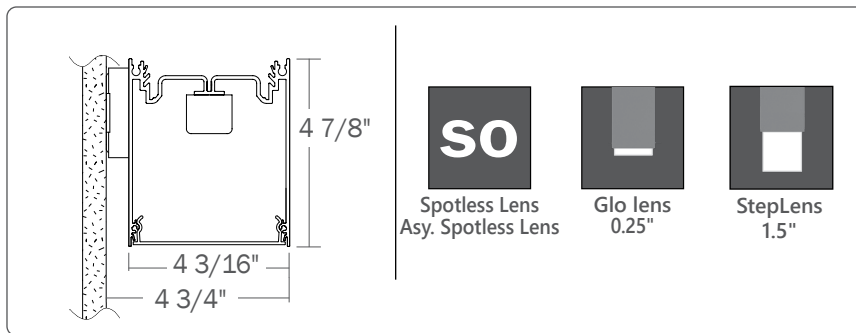


Glo lens - down

Project _____

Type _____

Notes _____



Ordering Guide

TB4WDLED		NOM. LUM/FT DOWN		CRI		COLOR TEMP.		SHIELDING	
PRODUCT ID	BEAM4 - Wall Direct LED	400	400 lm/ft - Minimum	80	80 CRI	27	2700 K	SO	spotless lens
		1000	1000 lm/ft - Maximum	90	90 CRI	30	3000 K	ASO	asymmetric with spotless lens
						35	3500 K	0.25G	0.25" Glo lens
						40	4000 K	1.5M	StepLens, lum. end cap
Outputs between listed min and max are available. Consult factory for outputs outside of the listed range.						Choose only one of the options above; SurroundLite not available with direct.			

LENGTH (FT)	MR (OPTIONAL)	FINISH	VOLTAGE	DRIVER	CIRCUITS
2 2'	DMLED(#) downlight module LED	AP aluminum paint	120 120 V	DP dimming (0-10V) 1%	1 1 circuit
3 3'		W white	277 277 V	LT Lutron (1)	2 2 circuits
4 4'		BLK black	347 347 V	BI bi-level dimming	+E(#) emergency circuit (3)
5 5'		C custom	UNV universal	O other (2)	+NL(#) night light circuit (3)
8 8'					+GTD(#) generator transfer device (3)
12 12'					+M MR
S# System Run	Add 6" per lamp, Specify quantity Separate circuits included Requires 120V or 277V			(1) Specify system (2) Please consult factory; see page 2	(3) Specify quantity

BATTERY (OPTIONAL)	OTHER (OPTIONAL)	IC CONTROLS (OPTIONAL)	CUSTOM (OPTIONAL)
B# battery pack (integral)	F fuse (4)	DS# daylight sensor OS# occupancy sensor DOS# daylight & occupancy sensor EN# Enlighted integral (5) ENR# Enlighted remote (5) WC# wireless control dimming	C custom
Minimum 5ft; Not available with 347V Please consult factory	(4) Requires 120V or 277V	(5) Please consult factory Specify quantity. Requires 8" blank. See integrated controls guide for more details.	Please specify

● CONSTRUCTION

Housing	Extruded aluminum (0.075" nominal) Up to 70% recycled content
End Cap	Cast aluminum
Interior Brackets	Die formed sheet steel (20 gauge)
Reflectors	White powder coated sheet steel (22 gauge)
Lenses	Extruded acrylic (0.070" nominal)
Mounting	Sheet metal bracket with fixture-mounted clip

● ELECTRICAL

Lutron driver*	LDE1 - EcoSystem H-Series (1%) LDE5 - EcoSystem 5-Series (5%) LTE - Hi-Lume® A-series 2Wires Forward Phase (1%) *Consult factory
Other drivers	DALI - Digital Addressable Lighting Interface DMX - Digital Multiplex LV - line voltage - Advance Mark 10 Xitanium SR - For wireless sensor POE (Power over Ethernet) - Low Voltage Lighting System.
Emergency	Integral emergency battery pack or emergency circuit optional.
Input Voltage	120V, 277V, 347V, UNV.

i Incorporating these components may have limitations or affect the length of the luminaire. Please contact factory for more details.

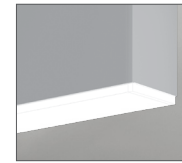
● LED SYSTEM

CRI	Minimum 80 or 90 color rendering index.
CCT	Choice of 2700K, 3000K, 3500K and 4000K color temperature with a great color consistency (within 3-step MacAdam ellipse). Both within fixture and fixture to fixture.
LED life	Minimum 50,000h with 85% of lumen maintenance in 25°C ambient temperature, in compliance with IES LM-80 testing measurements.
Thermal Management	Aluminum housing acting as the heat sink to maximize life.
Environment	Dry and damp rated in operating ambient temperatures of 0-40°C (32-104F).

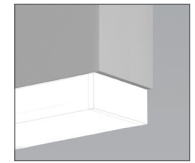
● OPTICS



SO Spotless lens



0.25G Glo lens



1.5M 1.5" StepLens

SPOTLESS LENS

Frosted acrylic snap-in micro lens

GLO LENS

0.25" frosted acrylic drop lens. Patented design.

STEPLENS

1.5" StepLens, illuminated end cap.

● SYSTEM (S#)

BEAM 4 linear systems, with the use of a strong profile, allow for a nearly hair thin connection system of continuous runs. Lengths of 4', 8', 12' as well as custom lengths are available. Runs of BEAM 4 that are greater than 12' in length are designated as systems (S#). This means that the run is comprised of a combination of 4', 8' and/or 12' sections to be assembled on site using our joining system. System runs with SurroundLite available in 1' increments only. For more information on systems and joining, please refer to the BEAM installation sheets available for download at www.axislighting.com.

● WARRANTY

Axis Lighting will warrant defective LEDs, boards, and drivers for 5 years from date of purchase. Warranty is valid if luminaire is installed and used according to specifications. If defective, Axis will send replacement boards or drivers at no cost along with detailed replacement instructions and instructions on how to return defective components to Axis.

● Options

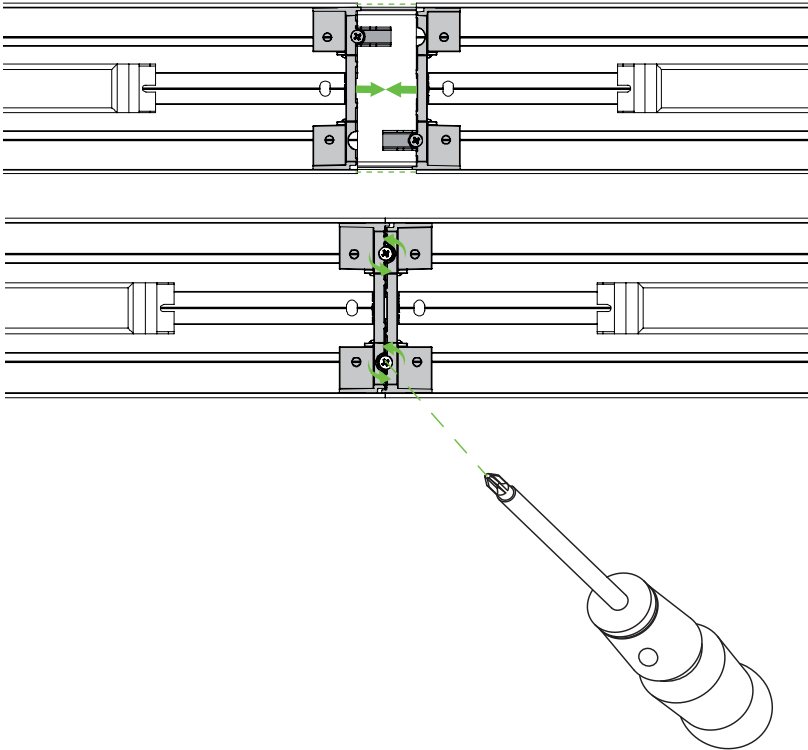
OUTPUT	CRI	COLOR TEMP.	SHIELDING	LENGTH	FINISH	VOLTAGE	DRIVER
400 lm/ft	80	3000 K	FL	2'	white	universal	DP
650 lm/ft		3500 K	1.5M	3'			
850 lm/ft		4000 K		4'			
				5'			
				6'			
				8'			
				12'			

● JOINERS

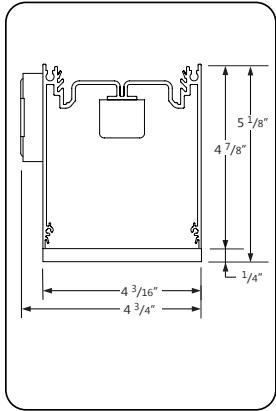
BEAM 4 luminaires feature the joining mechanism shown below. This mechanism joins and aligns multiple luminaires to create long continuous runs of light.

NOTE: Mount each system segment individually.

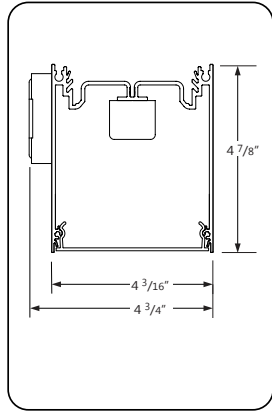
Do not assemble system prior to mounting.



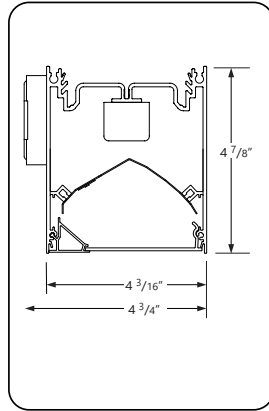
● SECTION VIEWS



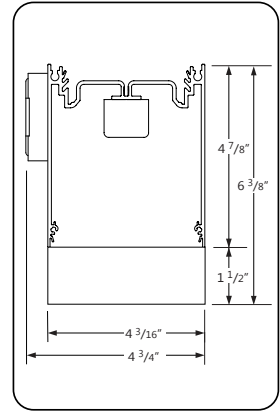
0.25G 0.25" Glo lens - Direct



SO Spotless lens - Direct



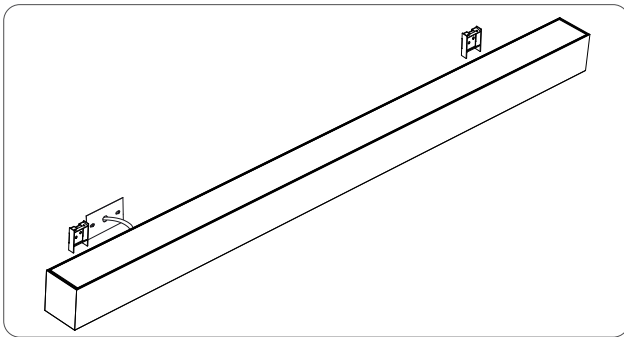
ASO Asy. Spotless lens - Direct



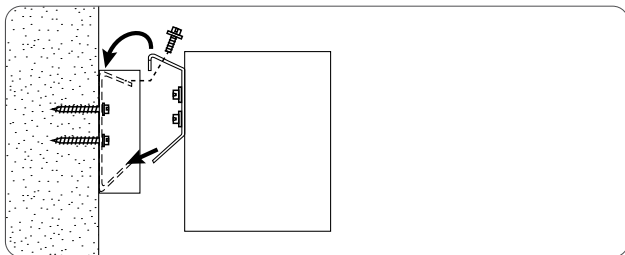
1.5M 1.5" StepLens - Direct

● MOUNTING OPTIONS

HORIZONTAL MOUNTING DETAILS



MOUNTING BRACKETS



SIDE VIEW

● OTHER MOUNTING OPTIONS

BEAM 4 is also available with pendant mounted option.

i Specification sheets and installation sheets for all mountings for BEAM 4 luminaires are available for download at www.axislighting.com

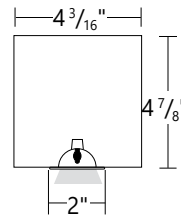
● DOWNLIGHT MODULE LED

Blank DM LED Quantity

Extruded aluminum (0.075" nominal)
1.4" diameter
For every 4' section, there may be up to a maximum of 4 x DM LED lamps.

Spacing

Each DM LED lamp is placed centered on a blank section 6" in length.

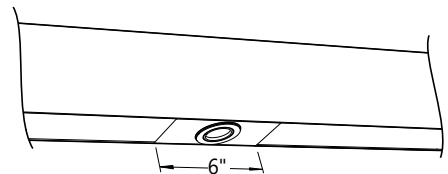


For a series of DM's within a given section length, they will be spaced evenly on a longer blank section.

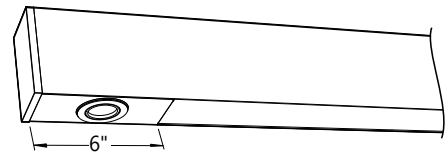
The directed light of DM LED lamps are fixed downward.

Custom spacing may be available on special request.

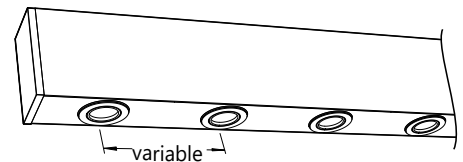
Between sections



At luminaire ends



Several in a long blank section



Beam Angle	45 nominal degrees
Input Watts	3W
Nominal Lumens	50 lumens
Efficacy	17 lumens per watt
Color Rendering Index (CRI)	80
Life	25,000 hours at L ₇₀
Correlated color temperature (CCT)	2700K

i More options are available upon request. Please consult factory.

● FINISH

Aluminium paint, powder coated and custom finishes are also available.

● APPROVALS

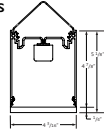
Certified to UL and CSA standards
Meets NYC requirements
Meets ADA requirements.
Suitable for damp locations.



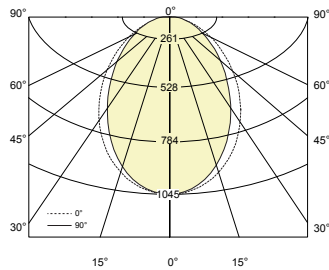
● PHOTOMETRIC DATA

0.25G 0.25" Glo lens

Uplight
0 lm/ft
Downlight
1000 lm/ft



PHOTOMETRIC CURVE



Lumen/ft up: 0 lm/ft
Lumen/ft down: 925 lm/ft
Total Lumens: 3706 lm (for 4ft)
Input Watts: 32.6 W
Efficacy: 114 lm/W

IES FILE: TB4DILED-0-1000-80-35-.25G-L-4.IES

TESTED ACCORDING TO IES LM-79-2008

CANDELA DISTRIBUTION

Vertical Angle	Horizontal Angles				
	0	22.5	45	67.5	90
0	1611	1611	1611	1611	1611
5	1601	1599	1597	1597	1596
15	1515	1508	1495	1483	1476
25	1352	1338	1308	1281	1267
35	1129	1112	1072	1034	1017
45	878	862	823	785	768
55	631	620	590	561	549
65	404	400	386	370	363
75	209	214	215	213	211
85	60	70	82	90	92
90	7	18	32	43	46

ZONAL LUMENS

Zone	Lumens
0	
0-10	151
10-20	421
20-30	602
30-40	670
40-50	636
50-60	529
60-70	382
70-80	227
80-90	89
90	

LUMINANCE DATA (cd/m²)

Vertical Angle	Horizontal Angles		
	0	45	90
45	98300	62398	51500
55	86890	48395	38640
65	75213	35623	27816
75	62856	23518	18392
85	51359	11477	9578

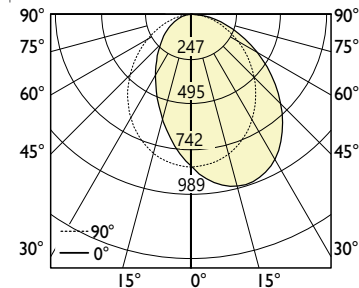
● PHOTOMETRIC DATA - ASYMMETRIC DIRECT

ASO Asy. Spotless Lens - Down

Downlight
500 lm/ft



PHOTOMETRIC CURVE



Lumen/ft down: 524 lm/ft
Total Lumens: 2096 lm/4ft
Input Watts: 22.03 W
Efficacy: 95 lm/W

IES FILE: TB4LED-500-80-30-ASO-4 .IES

TESTED ACCORDING TO IES LM-79-2008

CANDELA DISTRIBUTION

Vertical Angle	Horizontal Angles				
	0	22.5	45	67.5	90
0	846	846	846	846	846
5	915	911	897	867	839
15	986	972	932	872	798
25	965	949	901	821	719
35	860	846	801	719	611
45	694	686	653	581	484
55	508	502	479	428	353
65	324	321	308	277	228
75	164	164	159	144	120
85	36	37	39	38	34
90					

ZONAL LUMENS

Zone	Lumens
0	
0-10	80
10-20	225
20-30	331
30-40	381
40-50	372
50-60	315
60-70	227
70-80	128
80-90	37
90	0

LUMINANCE DATA (cd/m²)

Vertical Angle	Horizontal Angles		
	0	45	90
45	10871	10226	7583
55	9798	9254	6821
65	8480	8078	5982
75	7030	6809	5125
85	4622	4976	4276

i All IES files are available for download at: www.axislighting.com