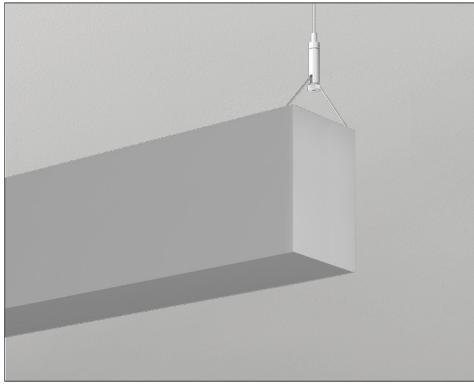


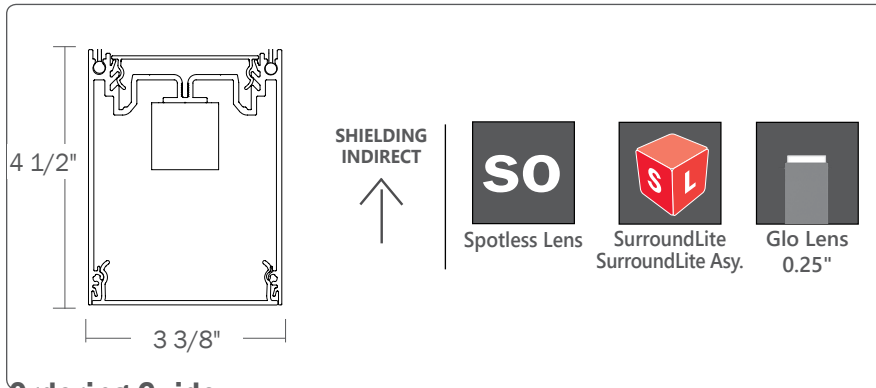
# Beam 3 | Pendant mount - Indirect



Project \_\_\_\_\_

Type \_\_\_\_\_

Notes \_\_\_\_\_



## Ordering Guide

TB3ILED		NOM. LUM/FT UP		CRI		COLOR TEMP.		SHIELDING	
TB3ILED	PRODUCT ID	400	1100	80	90	27	30	35	40
BEAM3 - Pendant Indirect LED		400 lm/ft - Minimum	1000 lm/ft - Maximum	80 CRI	90 CRI	2700 K	3000 K	3500 K	4000 K
		Outputs between listed min and max are available. Consult factory for outputs outside of the listed range.				<a href="#">Consult Axitune spec sheet for Axis color technology options</a>		Choose only one of the options above; SurroundLite not available with direct	
								<b>SO</b> Spotless lens <b>SL</b> SurroundLite <b>SLA</b> SurroundLite asymmetric <b>0.25G</b> 0.25" Glo lens	

LENGTH (FT)	MR (OPTIONAL)	FINISH	VOLTAGE	DRIVER	CIRCUITS
2 2'	<b>DMLED(#)</b> downlight modle LED	<b>AP</b> aluminum paint	<b>120</b> 120 V	<b>DP</b> dimming (0-10V) 1%	<b>1</b> 1 circuit
3 3'		<b>W</b> white	<b>277</b> 277 V	<b>LT</b> Lutron <sup>(1)</sup>	<b>2</b> 2 circuits
4 4'		<b>BLK</b> black	<b>347</b> 347 V	<b>BI</b> bi-level dimming	<b>+E(#)</b> emergency circuit <sup>(3)</sup>
5 5'		<b>C</b> custom	<b>UNV</b> universal	<b>O</b> other <sup>(2)</sup>	<b>+NL(#)</b> night light circuit <sup>(3)</sup>
8 8'					<b>+GTD(#)</b> generator transfer device <sup>(3)</sup>
12 12'					<b>+M</b> MR
<b>S#</b> System Run					
Add 6" per lamp. Specify quantity. Separate circuits included. Requires 120V or 277V				(1) Specify system (2) Please consult factory; see page 2 <a href="#">Consult Axitune spec sheet for Axis color driver options</a>	(3) Specify quantity

MOUNTING/SUSPENSION	BATTERY (OPTIONAL)	OTHER (OPTIONAL)	IC CONTROLS (OPTIONAL)	CUSTOM (OPTIONAL)
<b>CA(#)</b> drywall+cable length (36" std.)	<b>B#</b> battery pack (integral)	<b>F</b> fuse <sup>(4)</sup>	<b>DS#</b> daylight sensor	<b>C</b> custom
<b>CT9(#)</b> TB/TG 9/16+cable length (36" std.)			<b>OS#</b> occupancy sensor	
<b>CT15(#)</b> TB/TG15/16+cable length (36" std.)			<b>DOS#</b> daylight & occupancy sensor	
<b>CTS(#)</b> ST+cable length (36" std.)			<b>EN#</b> Enlighted integral <sup>(5)</sup>	
<b>SA(#)</b> drywall+stem length >48" (18" std.)			<b>ENR#</b> Enlighted remote <sup>(5)</sup>	
White canopy standard	Minimum 5ft; Not available with 347V Please consult factory	(4) Requires 120V or 277V	<b>WC#</b> wireless control dimming	Please specify
			(5) Please consult factory Specify quantity. Requires 8" blank. See integrated controls guide for more details.	

## ● CONSTRUCTION

<b>Housing</b>	Extruded aluminum (0.075" nominal) Up to 70% recycled content
<b>End Cap</b>	Cast aluminum
<b>Interior Brackets</b>	Die formed sheet steel (20 gauge)
<b>Reflectors</b>	White powder coated sheet steel (22 gauge)
<b>Lenses</b>	Extruded acrylic (0.070" nominal)
<b>Hanger</b>	Die cast aluminum
<b>Suspension</b>	Sliding aircraft cable along product length

## ● SYSTEM (S#)

BEAM 3 linear systems, with the use of a strong profile, allow for a nearly hair thin connection system of continuous runs. Lengths of 4', 8', 12' as well as custom lengths are available. Runs of BEAM 3 that are greater than 12' in length are designated as systems (S#). This means that the run is comprised of a combination of 4', 8' and/or 12' sections to be assembled on site using our joining system. For more information on systems and joining, please refer to the BEAM installation sheets available for download at [www.axislighting.com](http://www.axislighting.com).

## ● ELECTRICAL

<b>Lutron driver*</b>	LDE1 - EcoSystem H-Series (1%) LDE5 - EcoSystem 5-Series (5%) LTE - Hi-Lume® A-series 2Wires Forward Phase (1%) <small>*Consult factory</small>
<b>Other drivers</b>	DALI - Digital Addressable Lighting Interface DMX - Digital Multiplex LV - line voltage - Advance Mark 10 Xitanium SR - For wireless sensor POE (Power over Ethernet) - Low Voltage Lighting System.
<b>Emergency</b>	Integral emergency battery pack or emergency circuit optional.
<b>Input Voltage</b>	120V, 277V, 347V, UNV.

**i** Incorporating these components may have limitations or affect the length of the luminaire. Please contact factory for more details.

## ● WARRANTY

Axis Lighting will warrant defective LEDs, boards, and drivers for 5 years from date of purchase. Warranty is valid if luminaire is installed and used according to specifications. If defective, Axis will send replacement boards or drivers at no cost along with detailed replacement instructions and instructions on how to return defective components to Axis.

## ● LED SYSTEM

<b>CRI</b>	Minimum 80 or 90 color rendering index.
<b>CCT</b>	Choice of 2700K, 3000K, 3500K and 4000K color temperature with a great color consistency (within 3-step MacAdam ellipse). Both within fixture and fixture to fixture.
<b>LED life</b>	Minimum 50,000h with 85% of lumen maintenance in 25°C ambient temperature, in compliance with IES LM-80 testing measurements.
<b>Thermal Management</b>	Aluminum housing acting as the heat sink to maximize life.
<b>Environment</b>	Dry and damp rated in operating ambient temperatures of 0-40°C (32-104F).

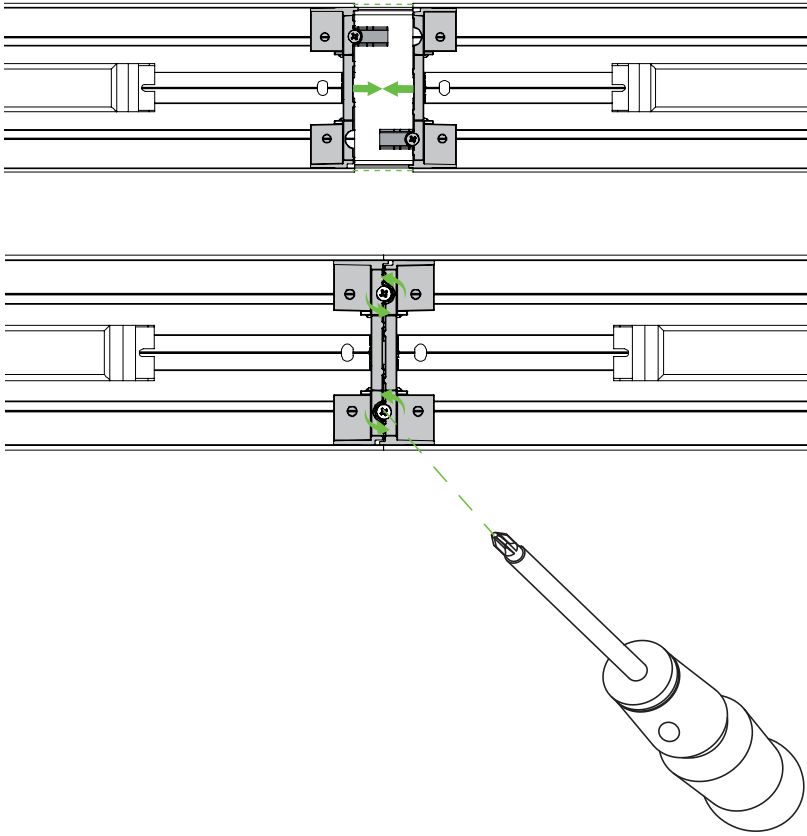
# Beam 3 | Pendant mount - Indirect

## ● JOINERS

BEAM 3 luminaires feature the joining mechanism shown below. This mechanism joins and aligns multiple luminaires to create long continuous runs of light.

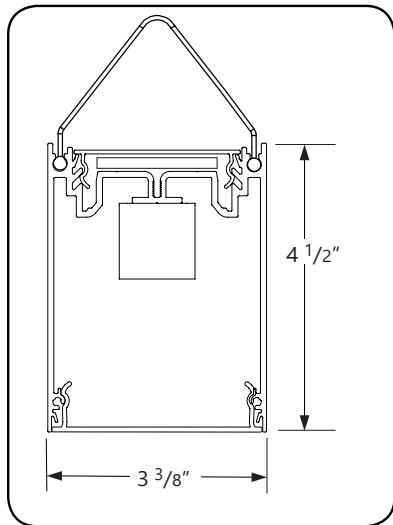
**NOTE:** Mount each system segment individually.

**Do not assemble system prior to mounting**

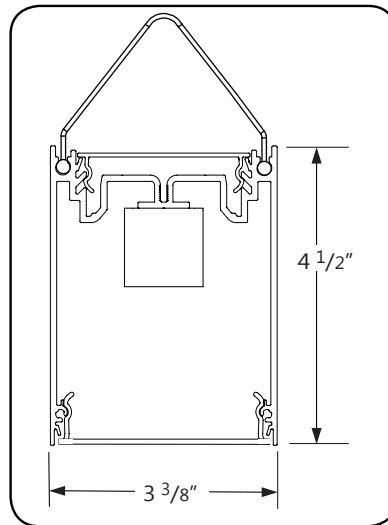


## ● SECTION VIEWS

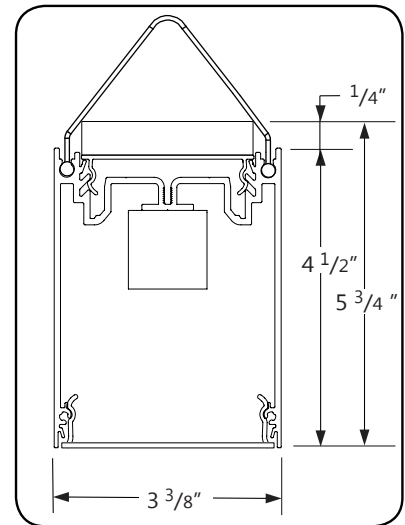
**SL/SLA** SurroundLite/SurroundLite Asymmetric



**SO** Spotless lens



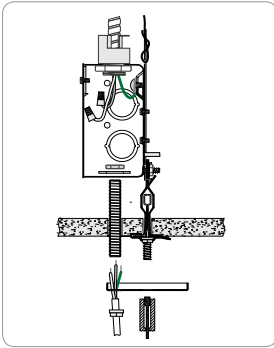
**0.25G** Glo Lens



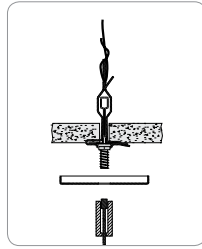
# Beam 3 | Pendant mount - Indirect

## ● MOUNTING OPTIONS

### CT TILE CEILING - ON GRID

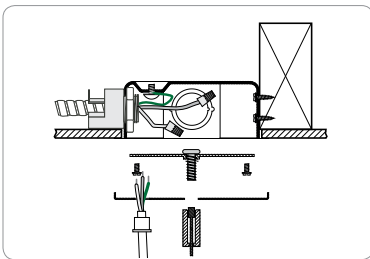


Power feed

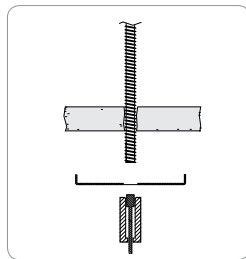


Non power feed

### CA DRYWALL CEILING

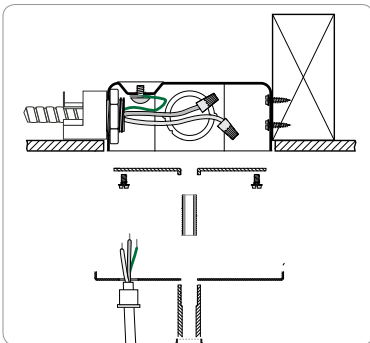


Power feed

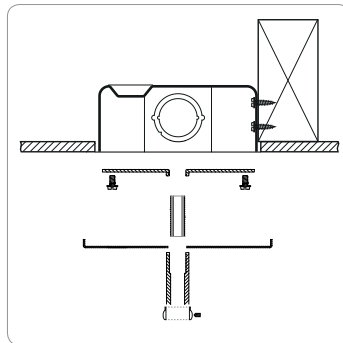


Non power feed

### SA STEM MOUNT IN DRYWALL CEILING



Power feed



Non power feed

## ● FINISH

Aluminium paint, powder coated and custom finishes are also available.

## ● APPROVALS

Certified to UL and CSA standards  
Meets NYC requirements  
Meets ADA requirements.  
Suitable for damp locations.



## ● OTHER MOUNTING OPTIONS

BEAM3 SurroundLite is also available with wall mounted option.

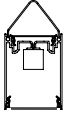
- i** Specification sheets and installation sheets for all mountings for BEAM 3 luminaires are available for download at [www.axislighting.com](http://www.axislighting.com)

# Beam 3 | Pendant mount - Indirect

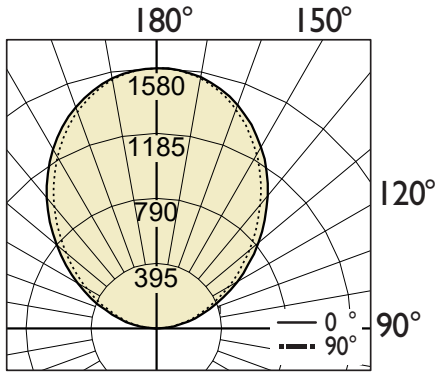
## ● PHOTOMETRIC DATA

SO Spotless lens - Up

Uplight  
1000 lm/ft



### PHOTOMETRIC CURVE



Lumen/ft up: 1000 lm/ft  
Total Lumens: 4000 lm (for 4ft)  
Input Watts: 35 W  
Efficacy: 114 lm/W

IES FILE: TB3ILED-1000-0-80-35-SO-4.IES

TESTED ACCORDING TO IES LM-79-2008

### CANDELA DISTRIBUTION

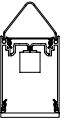
Vertical Angle	Horizontal Angles				
	0	22.5	45	67.5	90
90	1	1	1	1	4
95	55	63	73	73	70
105	244	247	248	243	237
115	451	456	460	458	452
125	684	693	699	700	692
135	931	939	948	949	944
145	1167	1173	1182	1185	1180
155	1364	1371	1377	1379	1376
165	1504	1507	1510	1510	1508
175	1574	1575	1575	1574	1573
180	1580	1580	1580	1580	1580

### ZONAL LUMENS

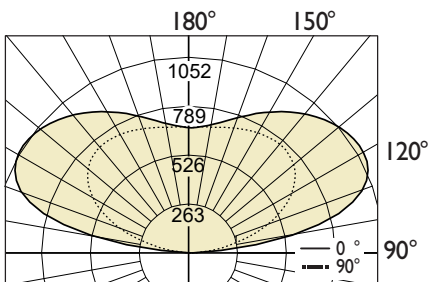
Zone	Lumens
90	
90-100	69
100-110	248
110-120	438
120-130	607
130-140	713
140-150	726
150-160	626
160-170	423
170-180	149
180	

SL SurrounLite - Up

Uplight  
1000 lm/ft



### PHOTOMETRIC CURVE



Lumen/ft up: 1000 lm/ft  
Total Lumens: 4000 lm (for 4ft)  
Input Watts: 37 W  
Efficacy: 108 lm/W

IES FILE: TB3ILED-1000-0-80-35-SL-4.IES

TESTED ACCORDING TO IES LM-79-2008

### CANDELA DISTRIBUTION

Vertical Angle	Horizontal Angles				
	0	22.5	45	67.5	90
90	2	2	3	3	4
95	60	116	126	150	158
105	297	371	513	714	806
115	523	585	716	918	1028
125	668	722	821	969	1048
135	731	771	850	946	993
145	736	761	820	880	908
155	713	725	760	795	811
165	685	689	701	714	722
175	667	666	666	667	669
180	660	660	660	660	660

### ZONAL LUMENS

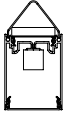
Zone	Lumens
90	
90-100	159
100-110	558
110-120	737
120-130	752
130-140	662
140-150	516
150-160	353
160-170	200
170-180	64
180	

**i** All IES files are available for download at: [www.axislighting.com](http://www.axislighting.com)

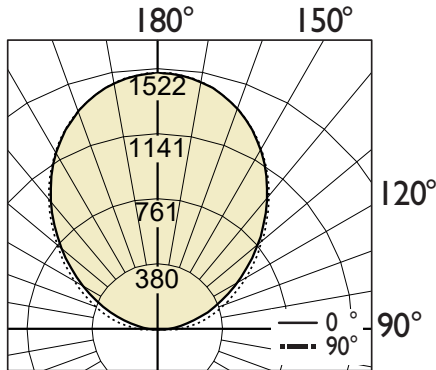
## ● PHOTOMETRIC DATA

0.25G 0.25" Glo Lens - Up

Uplight  
1000 lm/ft



### PHOTOMETRIC CURVE



### CANDELA DISTRIBUTION

Vertical Angle	Horizontal Angles				
	0	22.5	45	67.5	90
90	100	90	63	31	9
95	164	153	122	87	61
105	317	304	270	235	212
115	487	477	452	430	410
125	683	679	667	651	636
135	902	902	896	885	877
145	1122	1122	1119	1113	1111
155	1310	1310	1308	1307	1307
165	1443	1443	1443	1443	1443
175	1513	1513	1513	1512	1512
180	1522	1522	1522	1522	1522

### ZONAL LUMENS

Zone	Lumens
90	
90-100	131
100-110	285
110-120	449
120-130	595
130-140	689
140-150	699
150-160	602
160-170	407
170-180	144
180	

Lumen/ft up: 1000 lm/ft  
 Total Lumens: 4000 lm (for 4ft)  
 Input Watts: 36 W  
 Efficacy: 111 lm/W

IES FILE: TB3ILED-1000-80-35-0.25-4.IES

TESTED ACCORDING TO IES LM-79-2008

**i** All IES files are available for download at: [www.axislighting.com](http://www.axislighting.com)