

Project \_\_\_\_\_

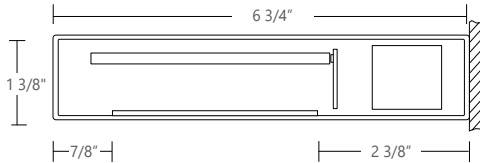
Type \_\_\_\_\_

Notes \_\_\_\_\_

### PERFORMANCE PER LINEAR FOOT AT 3500K

DISTRIBUTION	NOMINAL LUMEN OUTPUT		INPUT WATTS FOR 4 FT	EFFICACY
	UP			
100up/0down at 1000 lm/ft	1000 lm/ft		51 W	83 lm/W
100up/0down at 800 lm/ft	800 lm/ft		41 W	83 lm/W

REFER TO PHOTOMETRIC DATA SECTION FOR EXACT VALUES



## Ordering Guide

SLWLED		SL 100/0		NOMINAL LUMENS/FT		CRI		COLOR TEMPERATURE	
PRODUCT ID		LIGHT ENGINE							
SLWLED	Wall LED	SL 100/0	surroundlite 100%up/0% down	800	800 lm/ft	80	80 CRI	30	3000 K
				1000	1000 lm/ft	90	90 CRI	35	3500 K
								40	4000 K
Consult factory for outputs outside of the listed range.									

NO SHIELDING		FIXTURE LENGTH		FINISH		VOLTAGE		DRIVER	
NO	no shielding	4	4'	AP	aluminum paint	120	120 V	DP	dimming (0-10V) 1%
		8	8'	W	white	277	277 V	LT	Lutron <sup>(2)</sup>
		12	12'	BLK	black	347	347 V <sup>(1)</sup>	BI	bi-level dimming
		S#	system run	C	custom	UNV	universal	O	other <sup>(3)</sup>
						(1) Consult factory		(2) Specify system (3) Please consult factory	

CIRCUITS		BATTERY (OPTIONAL)		OTHER (OPTIONAL)		IC CONTROLS		CUSTOM	
1	1 circuit <sup>(4)</sup>	B#	battery pack (integral)	F	fuse	DS#	daylight sensor	C	custom
2	2 circuits					OS#	occupancy sensor		
2A/B	2 circuit alternating/4ft					DOS#	daylight & occupancy sensor		
+E(#)	emergency section					EN#	Enlighted integral		
+NL(#)	night light section					ENR#	Enlighted remote		
+GTD(#)	generator transfer device					WC#	wireless control dimming		
(4) Control UP & DOWN lights together		For minimum 36" long fixture only Not available with 347V Please consult factory		Requires 120V or 277V		Specify quantity. Requires 8" blank. See integrated controls guide for more details.		Please specify	



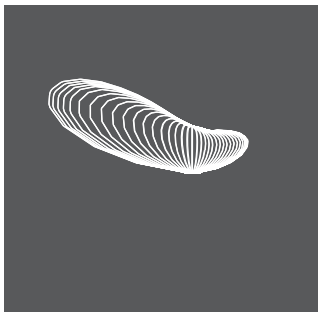
### ● SURROUNDLITE TECHNOLOGY

Slim with SurroundLite provides the flexibility of high efficacy spherical three dimensional wide batwing distributions and shielding options that all result in true lighting effectiveness. Slim is only 1.375" depth with integral driver and a light guide with proper cutoff.

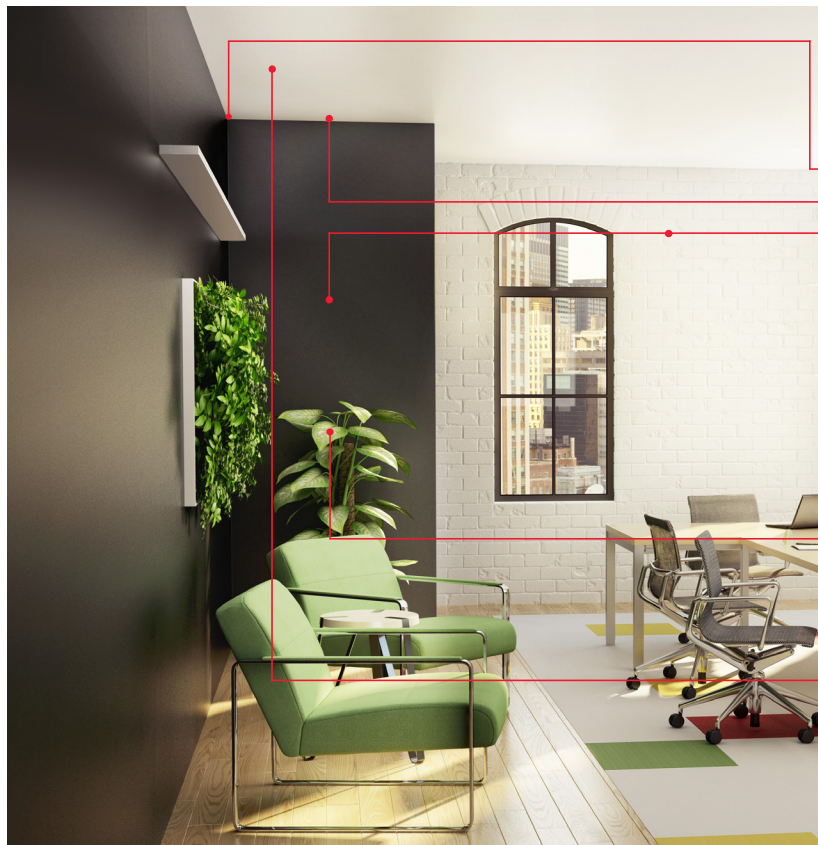
An innovative technology to get much more out of LEDs: Axis SurroundLite is based on the fundamental physics of how light interacts with matter. The specially engineered lightguide is made of precisely coded and aligned molecules that shape LED output in all three dimensions.

With SurroundLite extra-wide, multidimensional light distribution, light is directed in all three planes and sent in every corner of the room. SurroundLite brings the promise of balanced brightness, facilitating lighting design.

### 3D Polar Curve (SL 100/0)



### ● SURROUNDLITE BENEFITS



#### Reduced 'Cave Effect', Increased Perceived Brightness

Wide 3D batwing uplight distribution lights up corners.  
Lighting at seam between ceiling and wall.  
3D light distribution from luminaire extremities lights up adjacent spaces and vertical planes.

#### Use of Fewer Luminaires

The 3D nature of light distribution is well suited to shorter run lengths and reducing the need for continuous rows.

#### Better Facial Modeling / Facial Recognition

Reflected light from illuminated surfaces within the space results in soft fill light on the vertical plane.

#### No Streaks or Hot Spots of Light

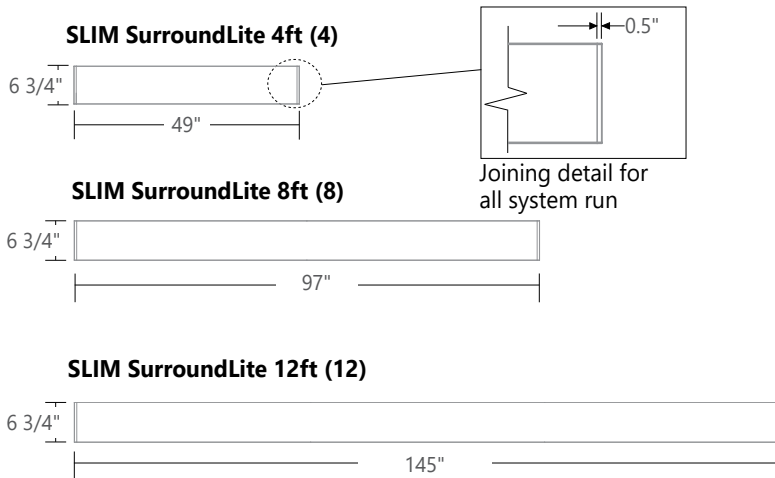
Axis SurroundLite technology spreads out light uniformly versus Lambertian distributions that put an intensity of light directly above and below the luminaire.



### ● LIGHT GUIDE

High precision light guide made of PMMA material, allows distribution of controlled light in all 3-dimensions to put light on both vertical and horizontal planes within the space. Patented lightguide design featuring molecular optics and precision-coupled optic components yield a high efficiency luminaire. In-plane mixing maximizes color uniformity while light emitting area is uniform and diffuse without 'head lighting' from the LED's.

### ● LENGTHS



### ● SYSTEMS (S#)

Runs of SLIM SurroundLite that are greater than 12ft in length are designated as systems (S#). This means that the run is comprised of a combination 4ft and/or 8ft sections to be assembled on site using our joining system. For more information on systems and joining, please refer to the SLIM SurroundLite installation sheets available at: [www.axislighting.com](http://www.axislighting.com) under 'Downloads' tab.

### ● WEIGHT

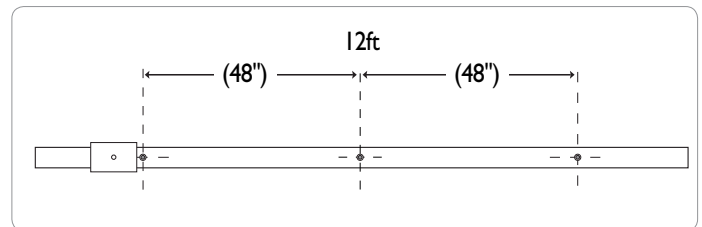
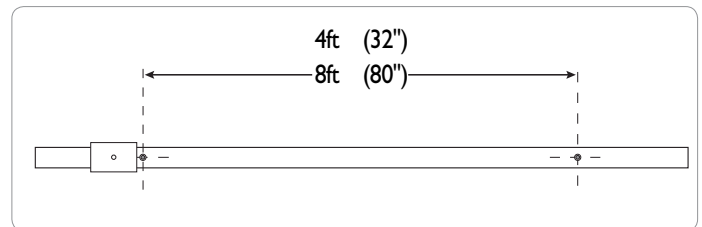
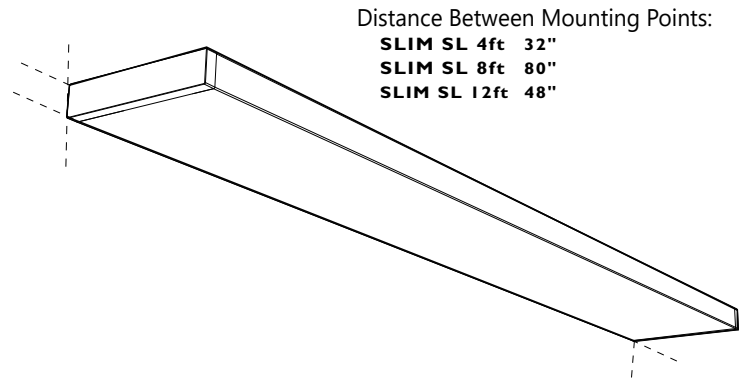
<b>SLIM 4 ft</b>	8 lbs / 3.6 kg
<b>SLIM 8 ft</b>	16 lbs / 7.3 kg
<b>SLIM 12 ft</b>	24 lbs / 10.9 kg

### ● OTHER MOUNTING OPTIONS

SLIM SurroundLite is also available as a pendant mount.

**i** Specification sheets for pendant mount SLIM luminaires are available at [www.axislighting.com](http://www.axislighting.com)

### ● MOUNTING SPACING



**i** Row configuration and mounting spacing file is available for download at: [www.axislighting.com](http://www.axislighting.com)



### ● LED SYSTEM

<b>CRI</b>	Minimum 80 or 90 color rendering index
<b>CCT</b>	Choice of 3000K, 3500K and 4000K color temperature with a great color consistency (within 3-step MacAdam ellipse). Both within fixture and fixture to fixture.
<b>LED life</b>	Minimum 50,000h with 85% of lumen maintenance in 25°C ambient temperature, in compliance with IES LM-80 testing measurements.
<b>Thermal Management</b>	Aluminum housing acting as the heat sink to maximize life.
<b>Environment</b>	Dry and damp rated in operating ambient temperatures of 0-40°C (32-104F)

### ● ELECTRICAL

**Lutron driver\*** LDE1 - EcoSystem H-Series (1%)  
 LDE5 - EcoSystem 5-Series (5%)  
 LTE - Hi-Lume® A-series 2Wires Forward Phase (1%)  
 \*Consult factory

**Other drivers** DALI - Digital Addressable Lighting Interface  
 DMX - Digital Multiplex  
 LV - line voltage - Advance Mark 10  
 Xitanium SR - For wireless sensor

**Emergency** Integral emergency battery pack or emergency circuit optional.

**Input Voltage** 120V, 277V, 347V, UNV.

**i** Incorporating these components may have limitations or affect the length of the luminaire. Please contact factory for more details.

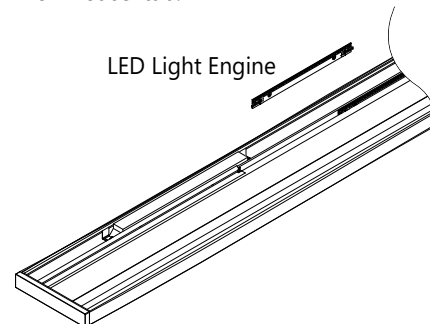
### ● CONSTRUCTION

<b>Housing</b>	Extruded aluminum (0.075" nominal)
<b>End Cap</b>	Die cast aluminum (0.10" nominal)
<b>Joiners</b>	Die cast aluminum (0.10" nominal)
<b>Interior Bracket</b>	Die formed zintec (22 gauge)
<b>Top Covers</b>	Cold rolled sheet steel painted (24 gauge)

### ● LED UPGRADE / REPLACEMENT

All LED light engines used are field replaceable and upgradable to ensure the lighting system will last for years. Future-proof design comes with easy access to LED light engines from above using quick connectors (included in luminaire) and a screwdriver.


**i** For more information on LED light engine upgrade and replacement, please refer to the SLIM LED Light Engine Replacement sheet available at: [www.axislighting.com](http://www.axislighting.com) under 'Downloads' tab.



### ● FINISH

Aluminum paint, powder coated and custom finishes are also available.

### ● APPROVALS

Certified to UL and CSA standards   
 Suitable for damp locations.

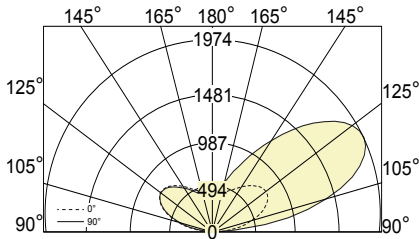


### ● PHOTOMETRIC DATA

#### NO SHIELDING (NO)

SLWLED-B3-SL-100/0-1000-80-35-NO-4-4  
100% up at 1000 lm/ft

#### PHOTOMETRIC CURVE



**Lumen/ft up: 1053 lm/ft**  
**Total Lumens: 4213 lm (for 4ft)**  
**Input Watts: 51 W**  
**Efficacy: 83 lm/W**

CRI:80 shown (for CRI:90 use 0.8 multiplier on watts and efficacy)  
IES FILE NAME: SLWLED-B3-SL-100-0-1000-80-35-NO-4-4-W-120-D-1.IES

TESTED ACCORDING TO IES LM-79-2008

#### CANDELA DISTRIBUTION

Vertical Angle	Horizontal Angles				
	0	22.5	45	67.5	90
90	0	0	0	0	0
95	243	214	176	148	141
105	1322	1128	792	553	440
115	1896	1645	1194	844	657
125	1936	1714	1293	935	731
135	1610	1453	1146	861	682
145	1178	1089	898	706	580
155	817	767	665	556	485
165	566	543	501	455	422
175	431	425	414	402	393
180	394	394	394	394	394

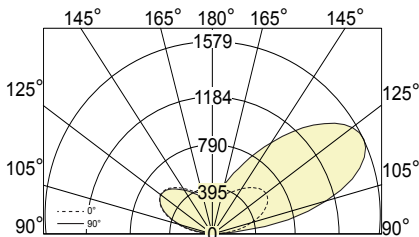
#### ZONAL LUMENS

Zone	Lumens
90	
90-100	181
100-110	650
110-120	909
120-130	894
130-140	695
140-150	456
150-160	262
160-170	130
170-180	39
180	

#### NO SHIELDING (NO)

SLWLED-B3-SL-100/0-800-80-35-NO-4-4  
100% up at 800 lm/ft

#### PHOTOMETRIC CURVE



**Lumen/ft up: 843 lm/ft**  
**Total Lumens: 3370 lm (for 4ft)**  
**Input Watts: 41 W**  
**Efficacy: 82 lm/W**

CRI:80 shown (for CRI:90 use 0.8 multiplier on watts and efficacy)  
IES FILE NAME: SLWLED-B3-SL-100-0-800-80-35-NO-4-4-W-120-D-1.IES

TESTED ACCORDING TO IES LM-79-2008

#### CANDELA DISTRIBUTION

Vertical Angle	Horizontal Angles				
	0	22.5	45	67.5	90
90	0	0	0	0	0
95	194	171	141	118	113
105	1058	902	634	442	352
115	1517	1316	955	675	526
125	1549	1371	1034	748	585
135	1288	1162	917	689	546
145	942	871	718	565	464
155	654	614	532	445	388
165	453	434	401	364	338
175	345	340	331	322	314
180	315	315	315	315	315

#### ZONAL LUMENS

Zone	Lumens
90	
90-100	145
100-110	520
110-120	727
120-130	715
130-140	556
140-150	365
150-160	210
160-170	104
170-180	31
180	