



Shown with VL optic



Shown with SM lens

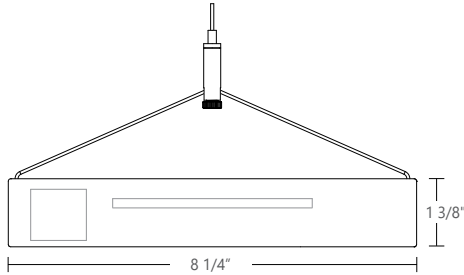


Shown with louver

Project \_\_\_\_\_

Type \_\_\_\_\_

Notes \_\_\_\_\_



### PERFORMANCE PER LINEAR FOOT AT 3500K

DISTRIBUTION	NOMINAL LUMEN OUTPUT		INPUT WATTS FOR 4FT	EFFICACY
	UP	DOWN		
0up/100down at 800 lm/ft		800 lm/ft	48 W	72 lm/W
0up/100down at 1000 lm/ft		1000 lm/ft	59 W	72 lm/W
0up/100down at 1500 lm/ft		1500 lm/ft	74 W	80 lm/W

REFER TO PHOTOMETRIC DATA SECTION FOR EXACT VALUES



## Ordering Guide

SLLED		SL 0/100		NOMINAL LUMENS/FT		CRI		COLOR TEMPERATURE	
PRODUCT ID		LIGHT ENGINE							
<b>SLLED</b>	Pendant LED	<b>SL 0/100</b>	surroundlite 0%up/100%down	<b>600</b>	600 lm/ft	<b>80</b>	80 CRI	<b>30</b>	3000 K
				<b>800</b>	800 lm/ft	<b>90</b>	90 CRI	<b>35</b>	3500 K
				<b>1000</b>	1000 lm/ft			<b>40</b>	4000 K
				<b>1500</b>	1500 lm/ft				
						Consult factory for outputs outside of the listed range.		<a href="#">Consult Axitune spec sheet for Axis color technology options</a>	

SHIELDING		FIXTURE LENGTH		FINISH		VOLTAGE		DRIVER	
<b>VL</b>	VL optic	<b>4</b>	4'	<b>AP</b>	aluminum paint	<b>120</b>	120 V	<b>DP</b>	dimming (0-10V) 1%
<b>PL</b>	flat-blade louvers <sup>(1)</sup>	<b>8</b>	8'	<b>W</b>	white	<b>277</b>	277 V	<b>LT</b>	Lutron <sup>(3)</sup>
<b>SM</b>	smooth lens	<b>12</b>	12'	<b>BLK</b>	black	<b>347</b>	347 V <sup>(2)</sup>	<b>BI</b>	bi-level dimming
		<b>S#</b>	system run	<b>C</b>	custom	<b>UNV</b>	universal	<b>O</b>	other <sup>(4)</sup>
<sup>(1)</sup> With 800 lm/ft only				<sup>(2)</sup> Consult factory				<sup>(3)</sup> Specify system <sup>(4)</sup> Please consult factory; see page 2 <a href="#">Consult Axitune spec sheet for Axis color driver options</a>	

CIRCUITS		MOUNTING/SUSPENSION		BATTERY (OPTIONAL)		OTHER (OPTIONAL)	
<b>1</b>	1 circuit	<b>CA(#)</b>	drywall+cable length (36" std.)	<b>B#</b>	battery pack (integral)	<b>F</b>	fuse
<b>2</b>	2 circuits	<b>CT9(#)</b>	TB/TG 9/16+cable length (36" std.)				
<b>2A/B</b>	2 circuit alternating/4ft	<b>CT15(#)</b>	TB/TG 15/16+cable length (36" std.)				
<b>+E(#)</b>	emergency section	<b>CTS(#)</b>	ST+cable length (36" std.)				
<b>+NL(#)</b>	night light section	<b>SA(#)</b>	drywall+stem length >48" (18" std.)				
<b>+GTD(#)</b>	generator transfer device	<b>+SM</b>	seismic option				
See Ceiling Mount Guide for more details				For minimum 36" long fixture only Not available with 347V Please consult factory		Requires 120V or 277V	





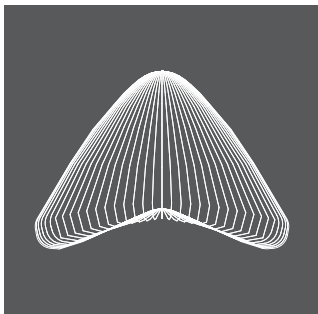
### ● SURROUNDLITE TECHNOLOGY

SLIM with SurroundLite provides the flexibility of high efficacy spherical three dimensional wide batwing distributions and shielding options that all result in true lighting effectiveness. Slim is only 1.375" depth with integral driver and a light guide with proper cutoff and no view of bugs or dust particles.

An innovative technology to get much more out of LEDs: Axis SurroundLite is based on the fundamental physics of how light interacts with matter. The specially engineered lightguide is made of precisely coded and aligned molecules that shape LED output in all three dimensions.

With SurroundLite extra-wide, multidimensional light distribution, light is directed in all three planes and sent in every corner of the room. SurroundLite brings the promise of balanced brightness, facilitating lighting design.

### 3D Polar Curve (SL 0/100)



### ● SURROUNDLITE BENEFITS



#### Glare Mitigation

VL Optic, louvers and lenses yield lower luminance on the luminaire's light-emitting area.

#### Reduced 'Cave Effect', Increased Perceived Brightness

Wide 3D batwing uplight distribution lights up corners  
Lighting at seam between ceiling and wall  
3D light distribution from luminaire extremities lights up adjacent spaces and vertical planes

#### Use of Fewer Luminaires

The 3D nature of light distribution is well suited to checkerboard patterns, reducing the need for continuous rows.

#### Better Facial Modeling / Facial Recognition

Reflected light from illuminated surfaces within the space results in soft fill light on the vertical plane.

#### No Streaks or Hot Spots of Light

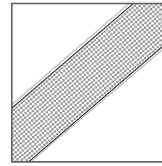
Axis SurroundLite technology spreads out light uniformly versus Lambertian distributions that put an intensity of light directly above and below the luminaire.



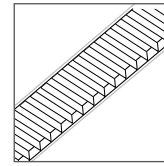
### ● LIGHT GUIDE

High precision light guide made of PMMA material, allows distribution of controlled light in all 3-dimensions to put light on both vertical and horizontal planes within the space. Patented lightguide design featuring molecular optics and precision-coupled optic components yield a high efficiency luminaire. In-plane mixing maximizes color uniformity while light emitting area is uniform and diffuse without 'head lighting' from the LED's.

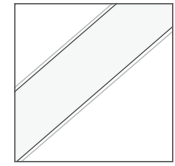
### ● OPTICS



VL vl optic



PL flat blade louvers

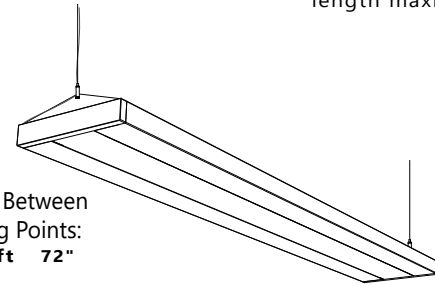


SM smooth lens

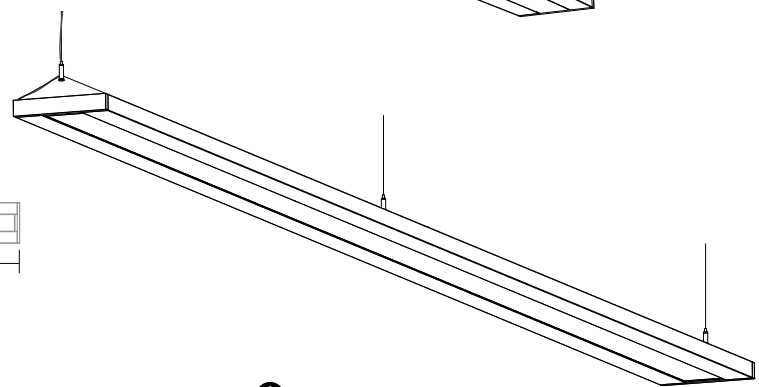
### ● SUSPENSION / MOUNTING SPACING

Distance Between Mounting Points:  
**SLIM SL 4ft 48"**  
**SLIM SL 8ft 96"**

Standard Suspension Length (Adjustable):  
**CABLE: 36"**  
**STEM: 18"** (For 8' length maximum)



Distance Between Mounting Points:  
**SLIM 12ft 72"**



**i** Row Configuration and Mounting Spacing file is available at: [www.axislighting.com](http://www.axislighting.com) under 'Downloads' tab.

### ● FINISH

Aluminum paint, powder coated and custom finishes are also available.

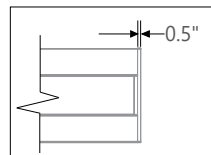
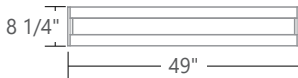
### ● APPROVALS

Certified to UL and CSA standards  
 Suitable for damp locations.



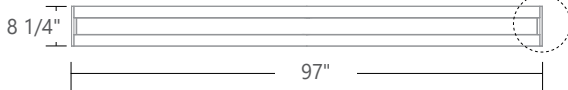
### ● LENGTHS

#### SLIM SurroundLite 4ft (4)

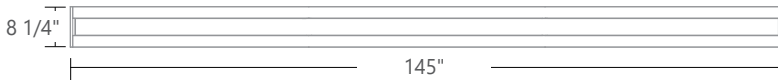


Joining detail for all system run

#### SLIM SurroundLite 8ft Continuous (with 8' shielding)



#### SLIM SurroundLite 12ft (with 12' shielding)



### ● SYSTEMS (S#)

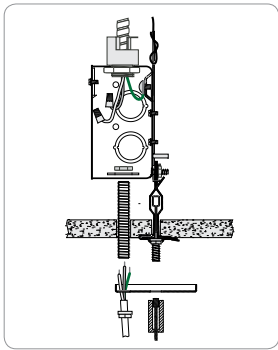
Runs of SLIM SurroundLite that are greater than 12ft in length are designated as systems (S#). This means that the run is comprised of a combination 4ft, 8ft and/or 12ft sections to be assembled on site using our joining system. For more information on systems and joining, please refer to the SLIM SurroundLite Row configurations and Mounting Spacing sheets available at: [www.axislighting.com](http://www.axislighting.com) under 'Downloads' tab.

### ● WEIGHT

**SLIM SurroundLite 4 ft** 12 lbs / 5.4 kg  
**SLIM SurroundLite 8 ft** 24 lbs / 10.9 kg  
**SLIM SurroundLite 12 ft** 36 lbs / 16.3 kg



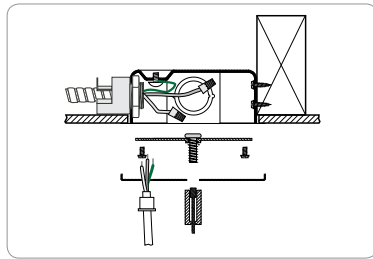
### ● MOUNTING OPTIONS



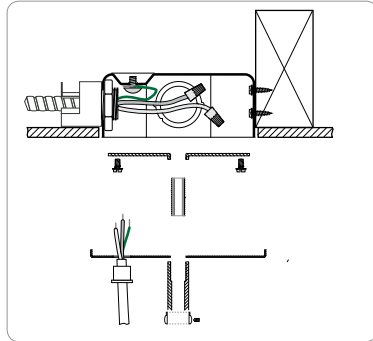
**GT TILE CEILING - ON GRID**

Mounting options are also available for slope ceiling and seismic bracing.

- i** Installation sheets for all mounting options are available at: [www.axislighting.com](http://www.axislighting.com) under 'Downloads' tab.



**CA DRYWALL CEILING**



**SA STEM MOUNT IN DRYWALL CEILING**

### ● OTHER MOUNTING OPTIONS

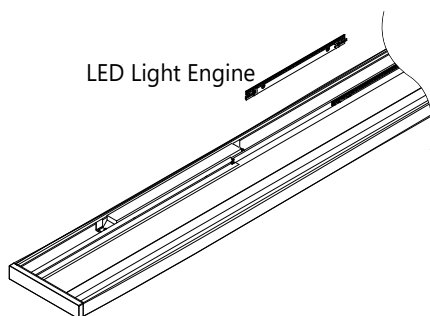
SLIM SurroundLite is also available as a wall mount.

- i** Specification sheets for pendant mounted SLIM luminaires are available at: [www.axislighting.com](http://www.axislighting.com) under 'Downloads' tab.

### ● LED UPGRADE / REPLACEMENT

All LED light engines used are field replaceable and upgradable to ensure the lighting system will last for years. Future-proof design comes with easy access to LED light engines from above using quick connectors (included in luminaire) and a screwdriver.


- i** For more information on LED light engine upgrade and replacement, please refer to the SLIM LED Light Engine Replacement sheet available at: [www.axislighting.com](http://www.axislighting.com) under 'Downloads' tab.



### ● LED SYSTEM

<b>CRI</b>	Minimum 80 or 90 color rendering index
<b>CCT</b>	Choice of 3000K, 3500K and 4000K color temperature with a great color consistency (within 3-step MacAdam ellipse). Both within fixture and fixture to fixture.
<b>LED life</b>	Minimum 50,000h with 85% of lumen maintenance in 25°C ambient temperature, in compliance with IES LM-80 testing measurements.
<b>Thermal Management</b>	Aluminum housing acting as the heat sink to maximize life.
<b>Environment</b>	Dry and damp rated in operating ambient temperatures of 0-40°C (32-104F)

### ● CONSTRUCTION

<b>Housing</b>	Extruded aluminum (0.075" nominal)
<b>End Cap</b>	Die cast aluminum (0.10" nominal)
<b>Joiners</b>	Die cast aluminum (0.10" nominal)
<b>Interior Bracket</b>	Die formed zintec (22 gauge)
<b>Top Covers</b>	Cold rolled sheet steel painted (24 gauge)
<b> V-L Optic™</b>	PMMA Precision formed microconical structure; 92 percent transmission that cuts off glare above 55 degrees
<b>Smooth Lens</b>	Uniform frosted acrylic lens
<b>Flat blade louvers</b>	Semispecular aluminum material (electronically anodized) for added visual comfort
<b>Hanger</b>	adjustable slide mount
<b>Suspension</b>	Y shape aircraft cable or Ø 1/2" stem

### ● ELECTRICAL

<b>Lutron driver*</b>	LDE1 - EcoSystem H-Series (1%) LDE5 - EcoSystem 5-Series (5%) LTE - Hi-Lume® A-series 2Wires Forward Phase (1%) *Consult factory
<b>Other drivers</b>	DALI - Digital Addressable Lighting Interface DMX - Digital Multiplex LV - line voltage - Advance Mark 10 Xitanium SR - For wireless sensor
<b>Emergency</b>	Integral emergency battery pack or emergency circuit optional.
<b>Input Voltage</b>	120V, 277V, 347V, UNV.

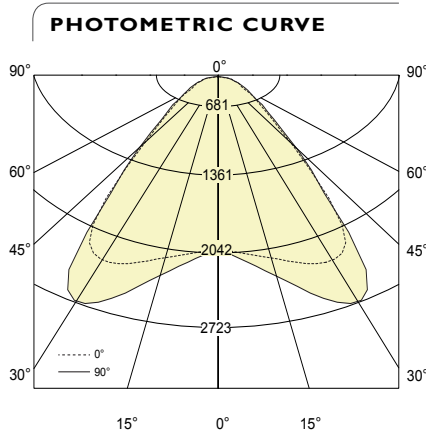
- i** Incorporating these components may have limitations or affect the length of the luminaire. Please contact factory for more details.



### PHOTOMETRIC DATA

#### VL LENS (VL)

SLLED-B3-SL-0/100-1500-80-35-VL-4-4  
100% down at 1500 lm/ft



**Lumen/ft down: 1500 lm/ft**  
**Total Lumens: 6001 lm (for 4ft)**  
**Input Watts: 74.9 W (18.725W/ft)**  
**Efficacy: 80 lm/W**

CRI:80 shown (for CRI:90 use 0.8 multiplier on watts and efficacy)

IES FILE: SLLED-B3-EL-0-100-1500-35-VL-4-4-W-120-D-1

TESTED ACCORDING TO IES LM-79-2008

#### CANDELA DISTRIBUTION

Vertical Angle	Horizontal Angles				
	0	22.5	45	67.5	90
0	1740	1740	1740	1740	1740
5	1748	1758	1762	1778	1788
15	1857	1885	1927	1983	2005
25	2046	2096	2213	2333	2380
35	2221	2315	2466	2629	2723
45	1716	1680	1661	1663	1641
55	706	756	776	762	750
65	382	404	394	388	410
75	229	237	223	215	227
85	93	80	86	82	64
90	0	0	0	0	0

#### ZONAL LUMENS

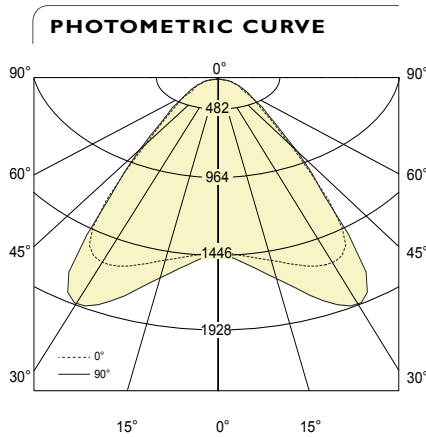
Zone	Lumens
0	
0-10	171
10-20	552
20-30	1030
30-40	1526
40-50	1298
50-60	691
60-70	396
70-80	238
80-90	86
90	

#### LUMINANCE DATA (cd/m²)

Vertical Angle	Horizontal Angles		
	0	45	90
45	13051	12627	12476
55	6618	7271	7028
65	4858	5010	5212
75	4751	4627	4710
85	5766	5276	3926

#### VL LENS (VL)

SLLED-B3-SL-0/100-1000-80-35-VL-4-4  
100% down at 1000 lm/ft



**Lumen/ft down: 1061 lm/ft**  
**Total Lumens: 4242 lm (for 4ft)**  
**Input Watts: 59 W**  
**Efficacy: 72 lm/W**

CRI:80 shown (for CRI:90 use 0.8 multiplier on watts and efficacy)

IES FILE: SLLED-B3-SL-0-100-1000-80-35-VL-4-4-W-120-D-1.IES

TESTED ACCORDING TO IES LM-79-2008

#### CANDELA DISTRIBUTION

Vertical Angle	Horizontal Angles				
	0	22.5	45	67.5	90
0	1232	1232	1232	1232	1232
5	1238	1245	1247	1259	1266
15	1315	1335	1364	1404	1419
25	1449	1484	1567	1652	1685
35	1573	1639	1746	1861	1928
45	1215	1190	1176	1177	1162
55	500	535	549	539	531
65	270	286	279	275	290
75	162	168	158	152	161
85	66	56	61	58	45
90	0	0	0	0	0

#### ZONAL LUMENS

Zone	Lumens
0	
0-10	121
10-20	391
20-30	729
30-40	1080
40-50	919
50-60	489
60-70	280
70-80	168
80-90	61
90	

#### LUMINANCE DATA (cd/m²)

Vertical Angle	Horizontal Angles		
	0	45	90
45	16879	16332	16136
55	8560	9404	9090
65	6283	6480	6741
75	6145	5985	6092
85	7458	6823	5078

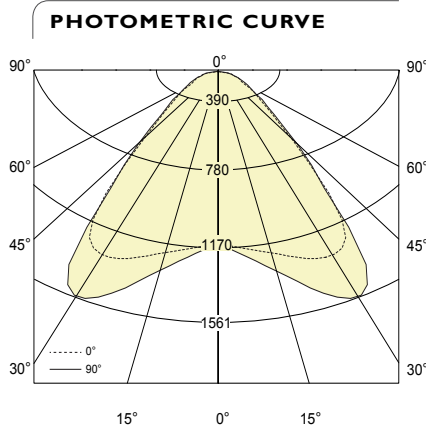
**i** All IES files are available for download at: [www.axislighting.com](http://www.axislighting.com)



### PHOTOMETRIC DATA

#### VL LENS (VL)

SLLED-B3-SL-0/100-800-80-35-VL-4-4  
100% down at 800 lm/ft



#### CANDELA DISTRIBUTION

Vertical Angle	Horizontal Angles				
	0	22.5	45	67.5	90
0	998	998	998	998	998
5	1002	1008	1010	1019	1025
15	1065	1081	1105	1137	1149
25	1173	1202	1269	1337	1365
35	1273	1327	1414	1507	1561
45	984	963	952	953	941
55	405	433	445	437	430
65	219	231	226	222	235
75	131	136	128	123	130
85	54	46	49	47	36
90	0	0	0	0	0

#### ZONAL LUMENS

Zone	Lumens
0	98
0-10	317
10-20	590
20-30	875
30-40	744
40-50	396
50-60	227
60-70	136
70-80	49
80-90	0
90	0

#### LUMINANCE DATA (cd/m<sup>2</sup>)

Vertical Angle	Horizontal Angles		
	0	45	90
45	13667	13223	13065
55	6931	7614	7360
65	5087	5246	5458
75	4975	4846	4932
85	6039	5525	4111

**Lumen/ft down: 859lm/ft**  
**Total Lumens: 3435 lm (for 4ft)**  
**Input Watts: 47 W**  
**Efficacy: 72 lm/W**

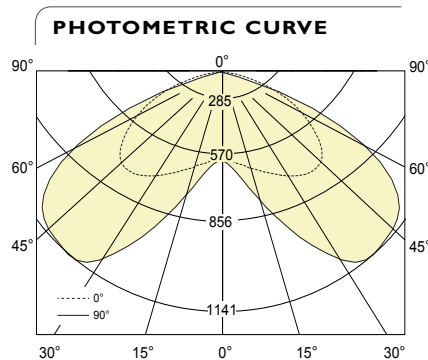
CRI:80 shown (for CRI:90 use 0.8 multiplier on watts and efficacy)

IES FILE:SLLED-B3-SL-0-100-800-80-35-VL-4-4-W-120-D-1.IES

TESTED ACCORDING TO IES LM-79-2008

#### FLAT-BLADE LOUVER (PL)

SLLED-B3-SL-0/100-800-80-35-PL-4-4  
100% down at 800 lm/ft



#### CANDELA DISTRIBUTION

Vertical Angle	Horizontal Angles				
	0	22.5	45	67.5	90
0	408	408	408	408	408
5	411	416	419	426	429
15	448	470	505	542	556
25	509	556	650	749	790
35	586	662	811	976	1061
45	651	742	909	1050	1138
55	618	701	826	961	1097
65	455	484	541	654	793
75	228	215	177	116	95
85	37	19	4	2	2
90	0	0	0	0	0

#### ZONAL LUMENS

Zone	Lumens
0	41
0-10	146
10-20	304
20-30	513
30-40	691
40-50	740
50-60	562
60-70	197
70-80	18
80-90	0
90	0

#### LUMINANCE DATA (cd/m<sup>2</sup>)

Vertical Angle	Horizontal Angles		
	0	45	90
45	9331	13068	16385
55	10925	14656	19471
65	10912	13028	19103
75	8939	6952	3740
85	4293	485	242

**Lumen/ft down: 803 lm/ft**  
**Total Lumens: 3212 lm (for 4ft)**  
**Input Watts: 47W**  
**Efficacy: 68 lm/W**

CRI:80 shown (for CRI:90 use 0.8 multiplier on watts and efficacy)

IES FILE:SLLED-B3-SL-0-100-800-80-35-PL-4-4-W-120-D-1.IES

TESTED ACCORDING TO IES LM-79-2008

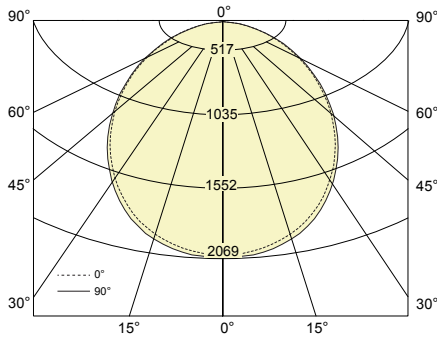


### PHOTOMETRIC DATA

#### SMOOTH LENS (SM)

SLLED-B3-SL-0/100-1500-80-35-SM-4-4  
100% down at 1500 lm/ft

#### PHOTOMETRIC CURVE



**Lumen/ft down: 1530 lm/ft**  
**Total Lumens: 6000 lm (for 4ft)**  
**Input Watts: 73.1 (18.3 W/ft)**  
**Efficacy: 82 lm/W**

CRI:80 shown (for CRI:90 use 0.8 multiplier on watts and efficacy)  
IES FILE: SLLED-B3-EL-0-100-1500-35-SM-4-4-W-120-D-1  
TESTED ACCORDING TO IES LM-79-2008

#### CANDELA DISTRIBUTION

Vertical Angle	Horizontal Angles				
	0	22.5	45	67.5	90
0	2059	2059	2059	2059	2059
5	2044	2053	2050	2063	2069
15	1985	2003	2005	2016	2026
25	1860	1874	1884	1897	1909
35	1659	1671	1681	1692	1700
45	1392	1401	1409	1421	1427
55	1077	1085	1091	1095	1101
65	732	736	740	744	748
75	383	388	390	390	390
85	80	82	76	74	74
90	0	0	0	0	0

#### ZONAL LUMENS

Zone	Lumens
0	
0-10	196
10-20	567
20-30	868
30-40	1051
40-50	1087
50-60	974
60-70	732
70-80	412
80-90	98
90	1

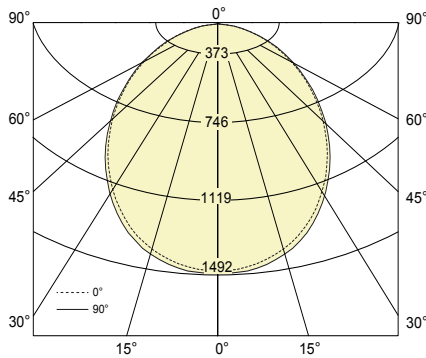
#### LUMINANCE DATA (cd/m²)

Vertical Angle	Horizontal Angles		
	0	45	90
45	19333	19577	19821
55	18452	18686	18853
65	17013	17194	17376
75	14520	14816	14816
85	9020	8580	8360

#### SMOOTH LENS (SM)

SLLED-B3-SL-0/100-1000-80-35-SM-4-4  
100% down at 1000 lm/ft

#### PHOTOMETRIC CURVE



**Lumen/ft down: 1081 lm/ft**  
**Total Lumens: 4323 lm (for 4ft)**  
**Input Watts: 59 W**  
**Efficacy: 72 lm/W**

CRI:80 shown (for CRI:90 use 0.8 multiplier on watts and efficacy)  
IES FILE: SLLED-B3-SL-0-100-1000-80-35-SM-4-4-W-120-D-1.IES  
TESTED ACCORDING TO IES LM-79-2008

#### CANDELA DISTRIBUTION

Vertical Angle	Horizontal Angles				
	0	22.5	45	67.5	90
0	1485	1485	1485	1485	1485
5	1474	1481	1478	1488	1492
15	1432	1445	1446	1454	1462
25	1342	1352	1359	1369	1377
35	1197	1205	1212	1221	1226
45	1004	1011	1017	1025	1029
55	777	783	787	790	794
65	528	531	534	536	539
75	276	280	282	282	282
85	58	59	55	54	54
90	0	0	0	0	0

#### ZONAL LUMENS

Zone	Lumens
0	
0-10	141
10-20	409
20-30	626
30-40	758
40-50	784
50-60	703
60-70	528
70-80	297
80-90	71
90	

#### LUMINANCE DATA (cd/m²)

Vertical Angle	Horizontal Angles		
	0	45	90
45	13946	14122	14298
55	13310	13479	13599
65	12272	12403	12534
75	10473	10687	10687
85	6506	6189	6030

**i** All IES files are available for download at: [www.axislighting.com](http://www.axislighting.com)

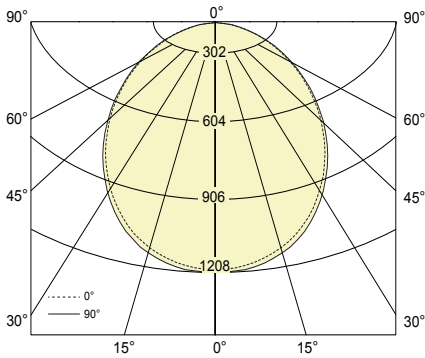


### ● PHOTOMETRIC DATA

#### SMOOTH LENS (SM)

SLLED-B3-SL-0/100-800-80-35-SM-4-4  
100% down at 800 lm/ft

#### PHOTOMETRIC CURVE



**Lumen/ft down: 875 lm/ft**  
**Total Lumens: 3500 lm (for 4ft)**  
**Input Watts: 48 W**  
**Efficacy: 73 lm/W**

CRI:80 shown (for CRI:90 use 0.8 multiplier on watts and efficacy)

IES FILE:SLLED-B3-SL-0-100-800-80-35-SM-4-4-W-120-D-1.IES

TESTED ACCORDING TO IES LM-79-2008

#### CANDELA DISTRIBUTION

Vertical Angle	Horizontal Angles				
	0	22.5	45	67.5	90
0	1203	1203	1203	1203	1203
5	1194	1199	1197	1205	1208
15	1159	1170	1171	1178	1183
25	1086	1094	1100	1108	1115
35	969	976	982	988	993
45	813	819	823	830	833
55	629	634	637	640	643
65	428	430	432	434	437
75	223	227	228	228	228
85	47	48	44	43	43
90	0	0	0	0	0

#### ZONAL LUMENS

Zone	Lumens
0	
0-10	114
10-20	331
20-30	507
30-40	614
40-50	635
50-60	569
60-70	428
70-80	241
80-90	57
90	

#### LUMINANCE DATA (cd/m²)

Vertical Angle	Horizontal Angles		
	0	45	90
45	11291	11434	11576
55	10777	10913	11011
65	9936	10042	10148
75	8480	8653	8653
85	5268	5011	4882

**i** All IES files are available for download at: [www.axislighting.com](http://www.axislighting.com)