

Spotless Lens

Project _____

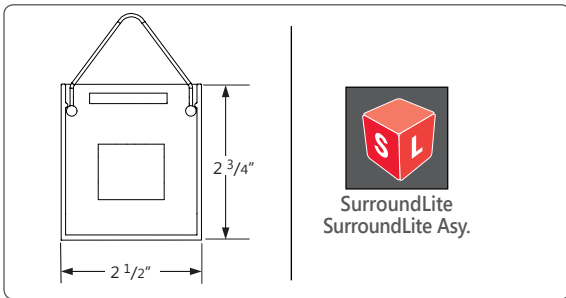
Type _____

Notes _____

PERFORMANCE PER LINEAR FOOT AT 3500K

NOMINAL LUMEN OUTPUT	INPUT WATTS*	EFFICACY	SHIELDING
1100 lm/ft	11.6 W/ft	94 lm/ft	SLA
1100 lm/ft	10.7 W/ft	103 lm/W	SL

Please consult factory for custom lumen output and wattage.



Ordering Guide

B2SQILED		NOM. LUMENS/FT		CRI		COLOR TEMP.		SHIELDING	
PRODUCT ID		NOM. LUMENS/FT		CRI		COLOR TEMP.		SHIELDING	
B2SQILED	Pendant Indirect LED	400	400 lm/ft - Minimum	80	80 CRI	27	2700 K	SL	SurroundLite
		1100	1100 lm/ft - Maximum	90	90 CRI	30	3000 K	SLA	SurroundLite asymmetric
		Outputs between listed min and max are available. Consult factory for outputs outside of the listed range.				Consult Axitune spec sheet for Axis color technology options			

LENGTH	FINISH	VOLTAGE	DRIVER		CIRCUITS	
2 2'	AP aluminum paint	120 120 V	DP	dimming (0-10V) 1%	1	1 circuit
3 3'	W white	277 277 V	LT	Lutron ⁽¹⁾	2	2 circuits
4 4'	BLK black	347 347 V	BI	bi-level dimming	+E(#)	emergency circuit ⁽³⁾
5 5'	C custom	UNV universal	O	other ⁽²⁾	+NL(#)	night light circuit ⁽³⁾
6 6'					+GTD(#)	generator transfer device ⁽³⁾
8 8'					+M	MR
12 12'						
S#	system run *					
*SurroundLite available in 1' increments only			(1) Specify system (2) Please consult factory; see page 2 Consult Axitune spec sheet for Axis color driver options		(3) Specify quantity	

MOUNTING/SUSPENSION	BATTERY (OPTIONAL)	OTHER (OPTIONAL)	IC CONTROLS (OPTIONAL)	CUSTOM (OPTIONAL)
CA(#) drywall+cable length (36" std.)	B# battery pack (integral)	F fuse	DS# daylight sensor	C custom
CT9(#) TB/TG 9/16+cable length (36" std.)			OS# occupancy sensor	
CT15(#) TB/TG15/16+cable length (36" std.)			DOS# daylight & occupancy sensor	
CTS(#) ST+cable length (36" std.)			EN# Enlighted integral ⁽⁴⁾	
SA(#) drywall+stem length >48" (18" std.)			ENR# Enlighted remote ⁽⁴⁾	
			WC# wireless control dimming	
White canopy standard	Requires 120V or 277V Minimum 4ft; please consult factory	Requires 120V or 277V	(4) Please consult factory Specify quantity. Requires 8" blank See integrated controls guide for more details.	Please specify

● SPECIFICATIONS

CONSTRUCTION

Housing	Extruded aluminum (0.075" nominal) Up to 70% recycled content
End Cap	Cast aluminum
Interior Brackets	Die formed sheet steel (20 gauge)
Hanger	adjustable slide mount
Suspension	Y shape aircraft cable or Ø 1/2" stem
Cable Grips	Quick connecting / release

● ELECTRICAL

Lutron driver*	LDE1 - EcoSystem H-Series (1%) LDE5 - EcoSystem 5-Series (5%) LTE - Hi-Lume® A-series 2Wires Forward Phase (1%) <small>*Consult factory</small>
Other drivers	DALI - Digital Addressable Lighting Interface DMX - Digital Multiplex LV - line voltage - Advance Mark 10 Xitanium SR - For wireless sensor POE (Power over Ethernet) - Low Voltage Lighting System.
Emergency	Integral emergency battery pack or emergency circuit optional.
Input Voltage	120V, 277V, 347V, UNV.

i Incorporating these components may have limitations or affect the length of the luminaire. Please contact factory for more details.

● LED SYSTEM

CRI	Minimum 80 or 90 color rendering index.
CCT	Choice of 2700K, 3000K, 3500K and 4000K color temperature with a great color consistency (within 3-step MacAdam ellipse). Both within fixture and fixture to fixture.
LED life	Minimum 50,000h with 85% of lumen maintenance in 25°C ambient temperature, in compliance with IES LM-80 testing measurements.
Thermal Management	Aluminum housing acting as the heat sink to maximize life.
Environment	Dry and damp rated in operating ambient temperatures of 0-40°C (32-104F).

● SYSTEM (S#)

BEAM2 SQUARE linear systems, with the use of a strong profile, allow for a nearly hair thin connection system of continuous runs. Lengths of 4', 8', 12' as well as custom lengths in 1' increments are available. Runs of BEAM2 SQUARE that are greater than 12' in length are designated as systems (S#). This means that the run is comprised of a combination of 4', 8' and/or 12' sections to be assembled on site using our joining system. For more information on systems and joining, please refer to the BEAM installation sheets available for download at www.axislighting.com.

● WARRANTY

Axis Lighting will warrant defective LEDs, boards, and drivers for 5 years from date of purchase. Warranty is valid if luminaire is installed and used according to specifications. If defective, Axis will send replacement boards or drivers at no cost along with detailed replacement instructions and instructions on how to return defective components to Axis.

● LIGHT GUIDE

High precision light guide made of PMMA material, allows distribution of controlled light in all 3-dimensions to put light on both vertical and horizontal planes within the space. Patented lightguide design featuring molecular optics and precision-coupled optic components yield a high efficiency luminaire. In-plane mixing maximizes color uniformity while light emitting area is uniform and diffuse without 'head lighting' from the LED's.

● LED UPGRADE / REPLACEMENT

All LED light engines used are field replaceable and upgradable to ensure the lighting system will last for years. Future-proof design comes with easy access to LED light engines from above using quick connectors (included in luminaire) and a screwdriver.

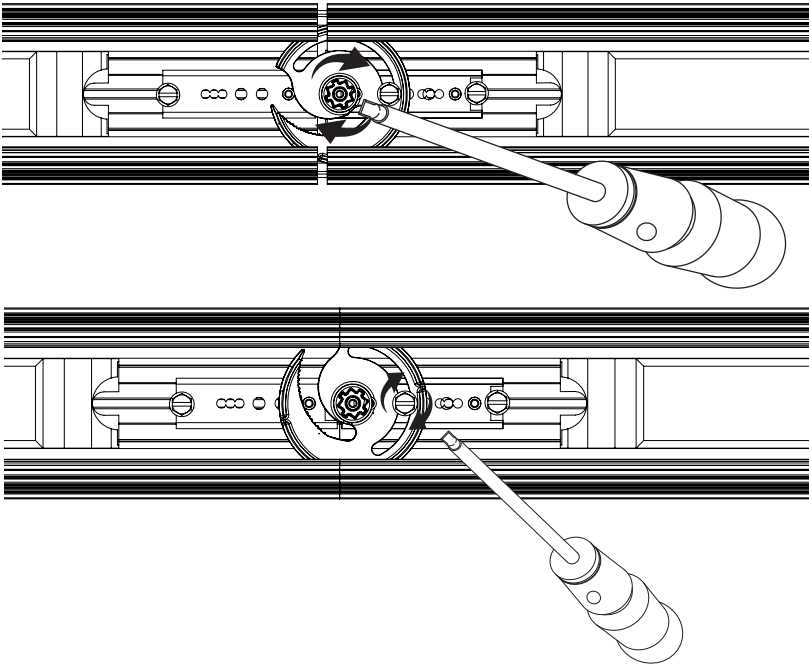
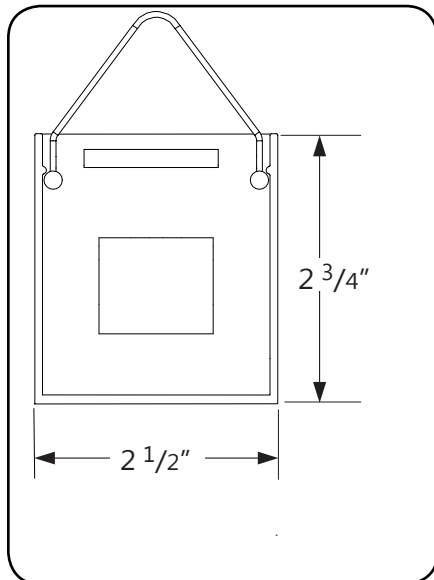
● InstaJoiner

BEAM2 SQUARE SurroundLite luminaires feature InstaJoiner, a unique, patent-pending joining system developed by Axis offering fast, single-screw tightening.

NOTE: Mount each system segment individually.

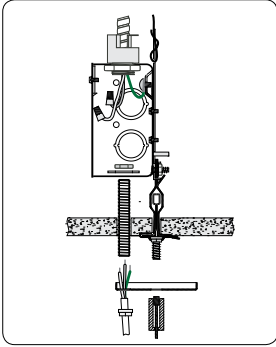
Do not assemble system prior to mounting

i Allow a minimum of 6" between end of long runs and wall.

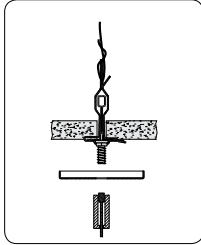
**SECTION VIEWS****SL/SLA SurroundLite/SurroundLite Asymmetric**

● MOUNTING OPTIONS

CT TILE CEILING - ON GRID

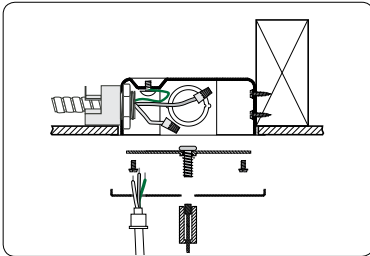


Power feed

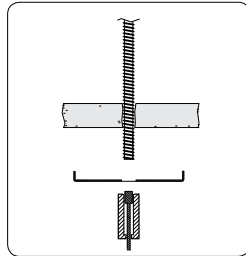


Non power feed

CA DRYWALL CEILING

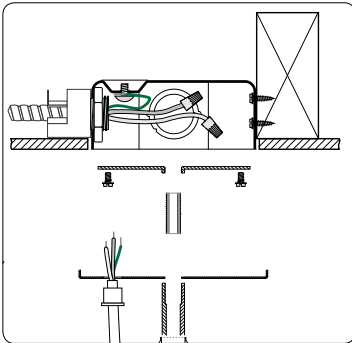


Power feed

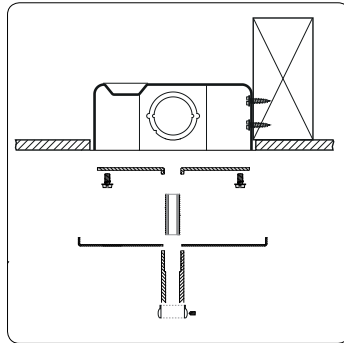


Non power feed

SA STEM MOUNT IN DRYWALL CEILING



Power feed



Non power feed

● OTHER MOUNTING OPTIONS

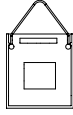
BEAM2 SQUARE is also available as Surface or Wall Mount.

- i** Specification sheets and installation sheets for all mountings for BEAM2 SQUARE luminaires are available for download at www.axislighting.com.

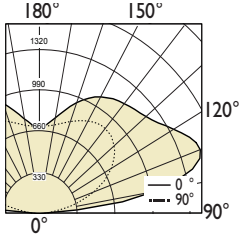
● PHOTOMETRIC DATA

SL SurroundLite - Up

Uplight
1100 lm/ft



PHOTOMETRIC CURVE



Lumen/ft up: 1100 lm/ft
Lumen/ft down: 0 lm/ft
Total Lumens: 4402 lm (for 4ft)
Input Watts: 42.7 W
Efficacy: 103 lm/W

IES FILE: B2SQILED-1100-0-80-35-SL-4.IES

TESTED ACCORDING TO IES LM-79-2008

80 CRI shown. To calculate watts and efficacy at 90 CRI, apply a multiplier of 0.8.

CANDELA DISTRIBUTION

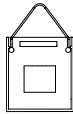
Vertical Angle	Horizontal Angles				
	0	22.5	45	67.5	90
90	3	3	2	2	2
95	293	308	219	124	66
105	1221	1009	538	368	315
115	1276	1039	697	585	553
125	1119	997	815	737	706
135	1040	986	885	811	779
145	991	960	889	816	779
155	900	879	823	756	725
165	758	745	711	675	660
175	633	631	627	622	620
180	614	614	614	614	614

ZONAL LUMENS

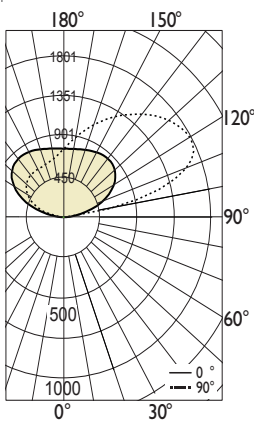
Zone	Lumens
90	
90-100	250
100-110	688
110-120	799
120-130	775
130-140	693
140-150	555
150-160	378
160-170	203
170-180	61
180	

SLA SurroundLite Asymmetric - Up

Uplight
1100 lm/ft



PHOTOMETRIC CURVE



Lumen/ft up: 1088 lm/ft
Lumen/ft down: 0 lm/ft
Total Lumens: 4354 lm (for 4ft)
Input Watts: 46.3 W
Efficacy: 94 lm/W

IES FILE: B2SQILED-1100-80-35-SLA-4.IES

TESTED ACCORDING TO IES LM-79-2008

80 CRI shown. To calculate watts and efficacy at 90 CRI, apply a multiplier of 0.8.

CANDELA DISTRIBUTION

Vertical Angle	Horizontal Angles								
	0	22.5	45	67.5	90	112.5	135	157.5	180
90	2	2	2	1	2	2	4	4	2
95	80	103	19	16	17	17	40	119	77
105	354	496	717	1063	1216	1072	729	507	350
115	615	802	1074	1519	1770	1510	1077	810	612
125	780	979	1245	1586	1769	1578	1242	984	782
135	851	1043	1268	1508	1621	1503	1266	1044	858
145	856	1019	1203	1357	1424	1355	1200	1019	866
155	829	950	1084	1184	1225	1183	1080	949	839
165	797	871	947	1000	1023	998	942	867	805
175	779	802	826	839	847	836	821	797	783
180	775	775	775	775	775	775	775	775	775

ZONAL LUMENS

Zone	Lumens
90	
90-100	95
100-110	544
110-120	808
120-130	847
130-140	754
140-150	590
150-160	407
160-170	233
170-180	75
180	