

CYLINDER 10x18

architectural

Project:

Type:

Catalog number:

LED 8" aperture open
1100 to 3000 lumens

LED cylinder | 120-277 Volt

Spun aluminum cylinder housing with a 0.64" precision spun aluminum reflector offered in specular clear, semi-specular and haze.

Textured polyester powdercoat on exterior finish available in black, white, bronze or metallic silver. Other finishes available consult factory.

Pendant fixtures feature a 5/8" OD mounting stem with a swivel canopy that self-adjusts up to 45° to accommodate slope ceilings. Factory standard stem length is 12". Pendant mount for indoor applications only.

Cord mount fixtures have a standard 6-foot black power cord and aircraft cable. White cord supplied on white fixtures only. L – Factory standard cord and cable length is 6 feet, field adjustable to shorter lengths. Dimming not available with coil cord options.

Wall mount fixtures have a cast aluminum mounting arm that is 4 5/8"W x 4 7/8"H.

OSRAM Sylvania LED Module

- Superior quality white LED light
- 80+ CRI
- Rated Life: 50,000 hours at 70% lumen maintenance (L70) when maintained in a 40°C ambient environment with open air flow. Ambient temperatures lower than 40°C may extend life of module. 5-year warranty.



OSRAM Sylvania Electronic LED Driver

- Dimmable, instant 100% light (1%-100%) via: 0-10V protocol. 5-year warranty.

Passive Heat Sink

- Black anodized aluminum
- Designed for maximum heat dissipation

Tested and listed by ETL to UL standard 1598 and CSA standards. Listed for damp location and intended for indoor applications only. Available photometrics at atlantic-lighting.com.

Fixture complies with ARRA section 1605.

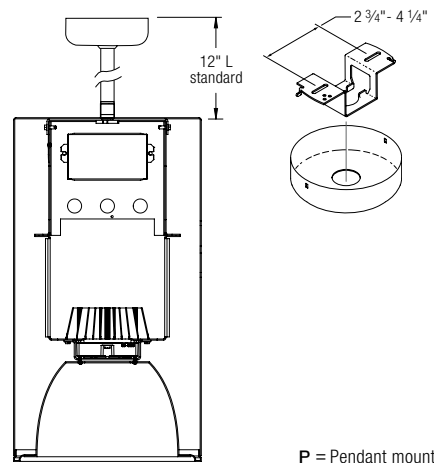
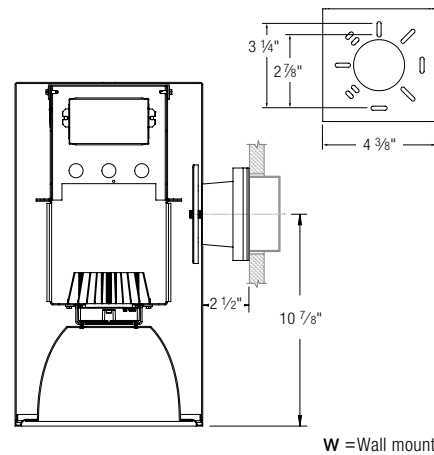
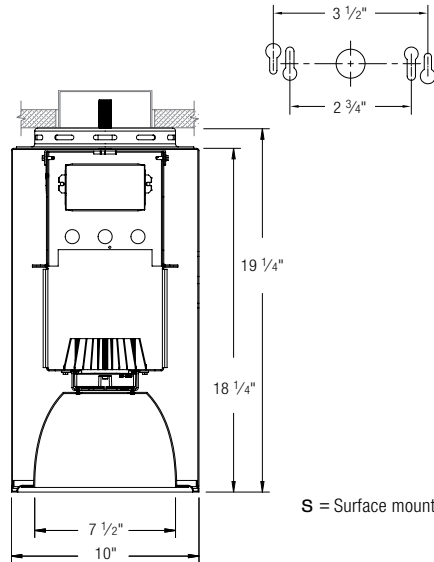


Specifications and dimensions to change without notice.



ATLANTIC LIGHTING

T: 508 678-5411 | F: 508 678-5408 www.atlantic-lighting.com



*Listed lumens and wattages are component measurements, see photometrics for fixture values.

ordering data

SERIES

Architectural 10"x18" LED
(use codes below for mounting options)

- SLED1018** Surface mount
- WLED1018** Wall mount
- PLED1018** Pendant mount
- CLED1018** Cord & cable with 6' standard

LUMENS*

- SYL11** 1100 lumen module
- SYL15** 1500 lumen module
- SYL20** 2000 lumen module
- SYL30** 3000 lumen module

COLOR TEMPERATURE

- 27K** 2700K
- 3K** 3000K
- 35K** 3500K
- 4K** 4000K

TRIM

Colors

- CL** Specular clear
- SS** Semi-specular clear
- HZ** Haze clear (etched)
- WH** Matte white

CYLINDER FINISHES

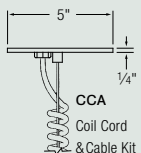
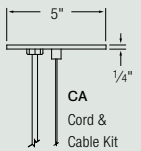
- WH** White
- BL** Black
- BR** Bronze
- MS** Metallic silver
- CC** Custom color (consult factory)

OPTIONS

- RLEM** Remote Emergency Pack IOTA ILB-CP or equivalent. Factory wired with quick-connect leads that will position pack 3-ft from cylinder max. Contact factory for longer lengths. Not available on cord mount.
- 347V** 347V Step down transformer for remote installation

MOUNTING OPTIONS

- P04** 4" pendant length
- P06** 6" pendant length
- P18** 18" pendant length
- P24** 24" pendant length
- P36** 36" pendant length
- P48** 48" pendant length
- FC** Field cut kit
- CAxx** Cord and cable, custom length replace xx with length in feet
- CCA** Coil cord and cable, adjustable from 2 to 8 feet in length
- CCA12** Coil cord and cable, adjustable from 4 to 12 feet



P/N Example: SLED1018-SYL11-27K-CL-WH

SLED1018-SYL11-27K-CL-WH

surface mount lumens temp reflector cylinder finish option