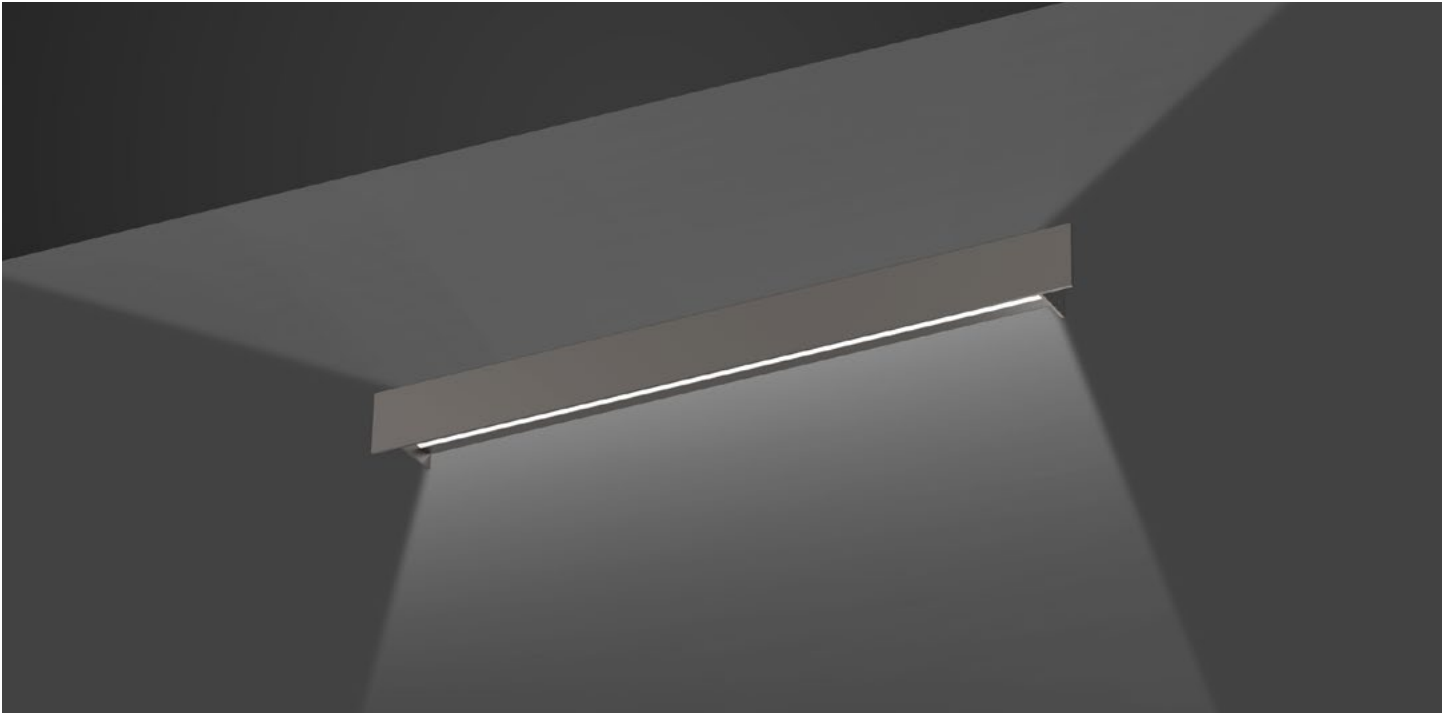
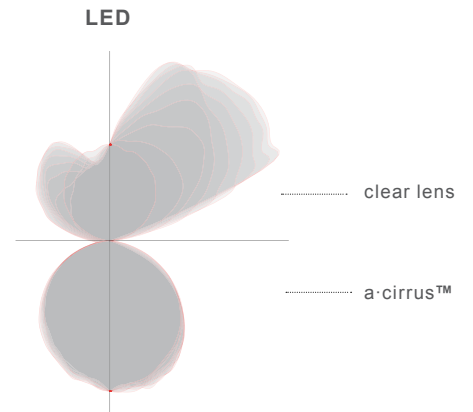
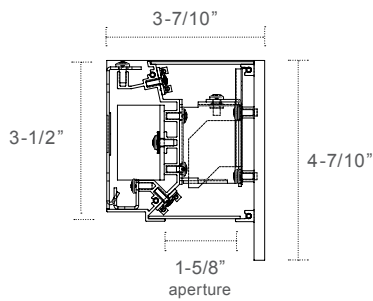


direct/indirect



wall



LED	2 boards in cross (one upper / one lower)	
per foot	watts/ft	lumens/ft
LS	10	1200
LH	20	2400

Lumens at board at 4000k.
Consult IES files online for delivered lumens.
Specifications subject to change.

Available Light Platforms:



Available Mounting:



interior

Mounting:

Standard Wall Mount: Fixture mounts via a special bracket directly to wall. Power connects inside fixture using BX or MX style wiring. ADA compliant.

Lengths:

All length dimensions are nominal, used for general length identification purposes. Actual lengths may vary by several inches. Lengths to 12' are individual fixtures and do not connect. Lengths beginning with "R" designate standard, nominal rows comprised of 4' and/or 8' sections.

Specify all modifications with the "integrations" specification sheet: nominal lengths other than the standards available here, rows longer than 24', exact lengths, patterns, etc.

LED:

5yr warranty. >60,000hr LED life. Tested to LM-79 and LM-80. See wattage/lumen table for specifications per foot. All specifications are subject to change.

Construction:

60% recycled aluminum extruded housing. Precision milled endcap variants: flush fascia or 2-1/4" overhang fascia - rectilinear or radiused.

Finish:

Electrostatically applied powder coat finish.

Listing:

UL/CUL. Damp Location.

Companion Luminaires:

E1 suspended, E3 suspended/ceiling/wall, E4 wall, E5 recessed

Legend:

- Emergency ballast not applicable on lengths 3ft or less.

Series: AXL

Length: _____

nominal 2' ¹	E2
nominal 3' ¹	E3
nominal 4'	E4
nominal 8'	E8
nominal 12'	E12
nominal 16' row	R16
nominal 20' row	R20
nominal 24' row	R24

Mounting: _____

standard wall mount | R

Boards in Cross Section: _____

1 board in cross, upper aperture only	1U
1 board in cross, lower aperture only	1D
2 boards in cross, both up and down	2

Upper Output: _____

LED standard output	LS
LED high output	LH

Upper Color Temperature: _____

3000k	30
3500k	35
4000k	40

Upper Optics: _____

open/no lens	O
clear dust cover	D
a-cirrus™ lens	A
HTLO™ lens	H

Lower Output: _____

LED standard output	LS
LED high output	LH

Lower Color Temperature: _____

3000k	30
3500k	35
4000k	40

Lower Optics: _____

clear dust cover	D
a-cirrus™ lens	A
HTLO™ lens	H

Voltage: _____

universal 120V - 277V	U
120V	1
277V	2
347V	3

Fascia: _____

flush fascia	FL
overhang fascia - rectilinear	HN
overhang fascia - radiused	HS

Finish: _____

a-lightanium™	T
satin white	W
satin black	B
textured eggshell white	E
other - specify RAL#	O

Options: _____

dimming - specify manufacturer, model/series and voltage	D
emergency - specify model/series or lumens ¹	E
external fusing	F